

 **BOEING**  
COMPONENT  
MAINTENANCE MANUAL

TO: ALL HOLDERS OF OUTBOARD SLAT NO. 1 AND NO. 12 WING LEADING EDGE STRUCTURE  
ASSEMBLY COMPONENT MAINTENANCE MANUAL 57-43-41

REVISION NO. 20 DATED MAR 01/04

HIGHLIGHTS

Pages which have been added or revised are outlined below together with the highlights of the revision. Remove and insert the affected pages as listed and enter Revision No. and date on the Record of Revision Sheet.

CHAPTER/SECTION

AND PAGE NO.

DESCRIPTION OF CHANGE

TITLE PAGE

Added top assemblies 114T4101-61G thru -64G, -411G,  
-412G.

1

1003-1004, 1006-1069,  
1071-1080A, 1080D-1080F,  
1082F, 1082L, 10820-1082P,  
1082W-1092D, 1092F-1092I,  
1094M-1102D

501

Edited without technical change.

REPAIR-GEN

602

REPAIR 1-1

601-603

REPAIR 2-1

601-603

REPAIR 3-1

601-604

REPAIR 6-1

601-603

REPAIR 7-1

601-604

REPAIR 9-1

601-604

REPAIR 11-1

609

**57-43-41**

HIGHLIGHTS

01.1

Page 1

Mar 01/04

WING LEADING EDGE OUTBOARD SLAT NO. 1,12  
STRUCTURE ASSEMBLY (767)

PART NUMBERS 114T4101-15SP,-16SP,-25SP,-26SP,  
-27 THRU -30,-31SP,-32SP,  
-33 THRU -36,-39 THRU -48,  
-51SP THRU -54SP,-57G THRU  
-64G,-401G,-402G,-409G  
THRU -412G

015T0165-3,-4

015T1507-101 THRU -164

COMPONENT MAINTENANCE MANUAL  
WITH  
ILLUSTRATED PARTS LIST

**57-43-41**

TITLE PAGE

Page 1

Mar 01/04

01.1

REVISION RECORD

- Retain this record in front of manual. On receipt of revision, insert revised pages in the manual, and enter revision number, date inserted and initial.

REVISION NUMBER	REVISION DATE	DATE FILED	BY	REVISION NUMBER	REVISION DATE	DATE FILED	BY

TEMPORARY REVISION AND SERVICE BULLETIN RECORD

BOEING SERVICE BULLETIN	BOEING TEMPORARY REVISION	OTHER DIRECTIVE	DATE OF INCORPORATION INTO MANUAL
		PRR A10503	APR 10/83
		PRR A10503-2	APR 10/83
		PRR A10509	APR 10/83
		PRR A10514-2	APR 10/83
		PRR A10514-3	APR 10/83
		PRR A10515	APR 10/83
		PRR A10515-1	APR 10/83
		PRR A10517	APR 10/83
		PRR A10519	APR 10/83
		PRR A10521	APR 10/83
		PRR A10522	APR 10/83
		PRR A10525	APR 10/83
		PRR A10530	APR 10/83
		PRR B10374	APR 10/83
		PRR A10529	JUL 10/84
		PRR B10663	JAN 10/87
		PRR B10818	JAN 10/85
		PRR C12017-1	JAN 10/85
		PRR C12343	APR 01/92
767-57A0039R2			JUN 01/95
767-32-0095			JUN 01/95
767-32-0107			JUN 01/95
767-57A0057			JUN 01/95
767-57A0057R2			DEC 01/96
		PRR B12900-67	JUN 01/97
			MAR 01/00
		PRR 12797	MAR 01/00
		PRR B13100-2	MAR 01/00
		PRR B12628-2	NOV 01/00

**57-43-41**

TR & SB RECORD

01.1

Page 1

Nov 01/00

PAGE	DATE	CODE	PAGE	DATE	CODE
57-43-41			REPAIR-GENERAL		
TITLE PAGE			601	NOV 01/00	01.1
*1	MAR 01/04	01.1	*602	MAR 01/04	01.1
2	BLANK		*603	MAR 01/04	01.101
			604	MAR 01/00	01.1
REVISION RECORD			REPAIR 1-1		
1	MAR 01/00	01.1	*601	MAR 01/04	01.1
2	BLANK		*602	MAR 01/04	01.1
			*603	MAR 01/04	01.1
TR & SB RECORD			604	BLANK	
1	NOV 01/00	01.1	REPAIR 2-1		
2	BLANK		*601	MAR 01/04	01.1
			*602	MAR 01/04	01.1
LIST OF EFFECTIVE PAGES			*603	MAR 01/04	01.1
*1	MAR 01/04	01	604	BLANK	
THRU LAST PAGE			REPAIR 3-1		
			*601	MAR 01/04	01.1
CONTENTS			*602	MAR 01/04	01.1
1	MAR 01/00	01.1	*603	MAR 01/04	01.1
2	BLANK		*604	MAR 01/04	01.1
			REPAIR 6-1		
INTRODUCTION			*601	MAR 01/04	01.1
1	MAR 01/00	01.1	*602	MAR 01/04	01.1
2	BLANK		*603	MAR 01/04	01.1
			604	BLANK	
DESCRIPTION & OPERATION			REPAIR 7-1		
1	MAR 01/00	01.1	*601	MAR 01/04	01.1
2	BLANK		*602	MAR 01/04	01.1
			*603	MAR 01/04	01.1
DISASSEMBLY			*604	MAR 01/04	01.1
301	MAR 01/00	01.1	REPAIR 8-1		
302	BLANK		601	MAR 01/00	01.1
			602	MAR 01/00	01.1
CLEANING			603	NOV 01/00	01.1
401	MAR 01/00	01.1	604	MAR 01/00	01.1
402	BLANK		605	MAR 01/00	01.1
			606	MAR 01/00	01.1
CHECK					
*501	MAR 01/04	01.1			
502	BLANK				

\* = REVISED, ADDED OR DELETED

**57-43-41**

EFFECTIVE PAGES  
 CONTINUED Page 1  
 01 Mar 01/04

PAGE	DATE	CODE	PAGE	DATE	CODE
REPAIR 8-1		CONT.	SPECIAL TOOLS		
607	MAR 01/00	01.1	901	MAR 01/00	01.1
608	MAR 01/00	01.1	902	BLANK	
609	NOV 01/00	01.1			
610	MAR 01/00	01.1	ILLUSTRATED PARTS LIST		
611	NOV 01/00	01.1	1001	MAR 01/00	01.1
612	NOV 01/00	01.1	1002	NOV 01/01	01.1
613	MAR 01/00	01.1	*1003	MAR 01/04	01.1
614	BLANK		*1004	MAR 01/04	01.1
REPAIR 9-1			*1005	MAR 01/04	01.1
*601	MAR 01/04	01.1	*1006	MAR 01/04	01.1
*602	MAR 01/04	01.1	*1007	MAR 01/04	01.1
*603	MAR 01/04	01.1	*1008	MAR 01/04	01.1
*604	MAR 01/04	01.1	*1009	MAR 01/04	01.1
REPAIR 11-1			*1010	MAR 01/04	01.1
601	MAR 01/00	01.1	*1011	MAR 01/04	01.1
602	MAR 01/00	01.1	*1012	MAR 01/04	01.1
603	NOV 01/01	01.1	*1013	MAR 01/04	01.1
604	MAR 01/00	01.1	*1014	MAR 01/04	01.1
605	MAR 01/00	01.1	*1015	MAR 01/04	01.1
606	MAR 01/00	01.1	*1016	MAR 01/04	01.1
607	MAR 01/00	01.1	*1017	MAR 01/04	01.1
608	MAR 01/00	01.1	*1018	MAR 01/04	01.1
*609	MAR 01/04	01.1	*1019	MAR 01/04	01.1
610	NOV 01/01	01.1	*1020	MAR 01/04	01.1
ASSEMBLY			*1021	MAR 01/04	01.1
701	MAR 01/00	01.1	*1022	MAR 01/04	01.1
702	MAR 01/00	01.1	*1023	MAR 01/04	01.1
703	MAR 01/00	01.1	*1024	MAR 01/04	01.1
704	MAR 01/00	01.1	*1025	MAR 01/04	01.1
FITS AND CLEARANCES			*1026	MAR 01/04	01.1
801	NOV 01/00	01.1	*1027	MAR 01/04	01.1
802	NOV 01/00	01.1	*1028	MAR 01/04	01.1
803	NOV 01/00	01.1	*1029	MAR 01/04	01.1
804	MAR 01/00	01.1	*1030	MAR 01/04	01.1
			*1031	MAR 01/04	01.1
			*1032	MAR 01/04	01.1
			*1033	MAR 01/04	01.1
			*1034	MAR 01/04	01.1
			*1035	MAR 01/04	01.1
			*1036	MAR 01/04	01.1
			*1037	MAR 01/04	01.1
			*1038	MAR 01/04	01.1

\* = REVISED, ADDED OR DELETED

# 57-43-41

EFFECTIVE PAGES  
 CONTINUED Page 2  
 01 Mar 01/04

PAGE	DATE	CODE		PAGE	DATE	CODE	
ILLUSTRATED	PARTS LIST		CONT.	ILLUSTRATED	PARTS LIST		CONT.
*1039	MAR 01/04	01.1		*1080A	MAR 01/04	01.1	
*1040	MAR 01/04	01.1		*1080B	BLANK		
*1041	MAR 01/04	01.1		*1080C	MAR 01/04	01.1	
*1042	MAR 01/04	01.1		*1080D	MAR 01/04	01.1	
*1043	MAR 01/04	01.1		*1080E	MAR 01/04	01.1	
*1044	MAR 01/04	01.1		*1080F	MAR 01/04	01.1	
*1045	MAR 01/04	01.1		*1080G	MAR 01/04	01.1	
*1046	MAR 01/04	01.1		*1080H	MAR 01/04	01.1	
*1047	MAR 01/04	01.1		*1080I	MAR 01/04	01.1	
*1048	MAR 01/04	01.1		*1080J	MAR 01/04	01.1	
*1049	MAR 01/04	01.1		*1080K	MAR 01/04	01.1	
*1050	MAR 01/04	01.1		*1080L	MAR 01/04	01.1	
*1051	MAR 01/04	01.1		*1080M	MAR 01/04	01.1	
*1052	MAR 01/04	01.1		*1080N	MAR 01/04	01.1	
*1053	MAR 01/04	01.1		*1080O	MAR 01/04	01.1	
*1054	MAR 01/04	01.1		*1080P	MAR 01/04	01.1	
*1055	MAR 01/04	01.1		*1080Q	MAR 01/04	01.1	
*1056	MAR 01/04	01.1		*1080R	MAR 01/04	01.1	
*1057	MAR 01/04	01.1		*1080S	MAR 01/04	01.1	
*1058	MAR 01/04	01.1		*1080T	MAR 01/04	01.1	
*1059	MAR 01/04	01.1		*1080U	MAR 01/04	01.1	
*1060	MAR 01/04	01.1		*1080V	MAR 01/04	01.1	
*1061	MAR 01/04	01.1		*1080W	MAR 01/04	01.1	
*1062	MAR 01/04	01.1		*1080X	MAR 01/04	01.1	
*1063	MAR 01/04	01.1		*1080Y	MAR 01/04	01.1	
*1064	MAR 01/04	01.1		*1080Z	MAR 01/04	01.1	
*1065	MAR 01/04	01.1		*1081	MAR 01/04	01.1	
*1066	MAR 01/04	01.1		*1082	MAR 01/04	01.1	
*1067	MAR 01/04	01.1		*1082A	MAR 01/04	01.1	
*1068	MAR 01/04	01.1		*1082B	MAR 01/04	01.1	
*1069	MAR 01/04	01.1		*1082C	MAR 01/04	01.1	
*1070	MAR 01/04	01.1		*1082D	MAR 01/04	01.1	
*1071	MAR 01/04	01.1		*1082E	MAR 01/04	01.1	
*1072	MAR 01/04	01.1		*1082F	MAR 01/04	01.1	
*1073	MAR 01/04	01.1		*1082G	MAR 01/04	01.1	
*1074	MAR 01/04	01.1		*1082H	MAR 01/04	01.1	
*1075	MAR 01/04	01.1		*1082I	MAR 01/04	01.1	
*1076	MAR 01/04	01.1		*1082J	MAR 01/04	01.1	
*1077	MAR 01/04	01.1		*1082K	MAR 01/04	01.1	
*1078	MAR 01/04	01.1		*1082L	MAR 01/04	01.1	
*1079	MAR 01/04	01.1		*1082M	MAR 01/04	01.1	
*1080	MAR 01/04	01.1		*1082N	MAR 01/04	01.1	

\* = REVISED, ADDED OR DELETED

**57-43-41**

EFFECTIVE PAGES  
 CONTINUED Page 3  
 01 Mar 01/04

PAGE	DATE	CODE	PAGE	DATE	CODE
ILLUSTRATED PARTS LIST		CONT.	ILLUSTRATED PARTS LIST		CONT.
*10820	MAR 01/04	01.1	*1086A	MAR 01/04	01.1
*1082P	MAR 01/04	01.1	*1086B	MAR 01/04	01.1
*1082Q	MAR 01/04	01.1	*1086C	MAR 01/04	01.1
*1082R	MAR 01/04	01.1	*1086D	MAR 01/04	01.1
*1082S	MAR 01/04	01.1	*1086E	MAR 01/04	01.1
*1082T	MAR 01/04	01.1	*1086F	MAR 01/04	01.1
*1082U	MAR 01/04	01.1	*1086G	MAR 01/04	01.1
*1082V	MAR 01/04	01.1	*1086H	MAR 01/04	01.1
*1082W	MAR 01/04	01.1	*1086I	MAR 01/04	01.1
*1082X	MAR 01/04	01.1	*1086J	MAR 01/04	01.1
*1082Y	MAR 01/04	01.1	*1086K	MAR 01/04	01.1
*1082Z	MAR 01/04	01.1	*1086L	MAR 01/04	01.1
*1083	MAR 01/04	01.1	*1086M	MAR 01/04	01.1
*1084	MAR 01/04	01.1	*1086N	MAR 01/04	01.1
*1084A	MAR 01/04	01.1	*1086O	MAR 01/04	01.1
*1084B	MAR 01/04	01.1	*1086P	MAR 01/04	01.1
*1084C	MAR 01/04	01.1	*1086Q	MAR 01/04	01.1
*1084D	MAR 01/04	01.1	*1086R	MAR 01/04	01.1
*1084E	MAR 01/04	01.1	*1086S	MAR 01/04	01.1
*1084F	MAR 01/04	01.1	*1086T	MAR 01/04	01.1
*1084G	MAR 01/04	01.1	*1086U	MAR 01/04	01.1
*1084H	MAR 01/04	01.1	*1086V	MAR 01/04	01.1
*1084I	MAR 01/04	01.1	*1086W	MAR 01/04	01.1
*1084J	MAR 01/04	01.1	*1086X	MAR 01/04	01.1
*1084K	MAR 01/04	01.1	*1086Y	MAR 01/04	01.1
*1084L	MAR 01/04	01.1	*1086Z	MAR 01/04	01.1
*1084M	MAR 01/04	01.1	*1087	MAR 01/04	01.1
*1084N	MAR 01/04	01.1	*1088	MAR 01/04	01.1
*1084O	MAR 01/04	01.1	*1088A	MAR 01/04	01.1
*1084P	MAR 01/04	01.1	*1088B	MAR 01/04	01.1
*1084Q	MAR 01/04	01.1	*1088C	MAR 01/04	01.1
*1084R	MAR 01/04	01.1	*1088D	MAR 01/04	01.1
*1084S	MAR 01/04	01.1	*1088E	MAR 01/04	01.1
*1084T	MAR 01/04	01.1	*1088F	MAR 01/04	01.1
*1084U	MAR 01/04	01.1	*1088G	MAR 01/04	01.1
*1084V	MAR 01/04	01.1	*1088H	MAR 01/04	01.1
*1084W	MAR 01/04	01.1	*1088I	MAR 01/04	01.1
*1084X	MAR 01/04	01.1	*1088J	MAR 01/04	01.1
*1084Y	MAR 01/04	01.1	*1088K	MAR 01/04	01.1
*1084Z	MAR 01/04	01.1	*1088L	MAR 01/04	01.1
*1085	MAR 01/04	01.1	*1088M	MAR 01/04	01.1
*1086	MAR 01/04	01.1	*1088N	MAR 01/04	01.1

\* = REVISED, ADDED OR DELETED

# 57-43-41

EFFECTIVE PAGES  
 CONTINUED Page 4  
 01 Mar 01/04



PAGE	DATE	CODE		PAGE	DATE	CODE	
ILLUSTRATED	PARTS LIST		CONT.	ILLUSTRATED	PARTS LIST		CONT.
*10880	MAR 01/04	01.1		*1092A	MAR 01/04	01.1	
*1088P	MAR 01/04	01.1		*1092B	MAR 01/04	01.1	
*1088Q	MAR 01/04	01.1		*1092C	MAR 01/04	01.1	
*1088R	MAR 01/04	01.1		*1092D	MAR 01/04	01.1	
*1088S	MAR 01/04	01.1		*1092E	BLANK		
*1088T	MAR 01/04	01.1		*1092F	MAR 01/04	01.1	
*1088U	MAR 01/04	01.1		*1092G	MAR 01/04	01.1	
*1088V	MAR 01/04	01.1		*1092H	MAR 01/04	01.1	
*1088W	MAR 01/04	01.1		*1092I	MAR 01/04	01.1	
*1088X	MAR 01/04	01.1		*1092J	MAR 01/04	01.1	
*1088Y	MAR 01/04	01.1		*1092K	MAR 01/04	01.1	
*1088Z	MAR 01/04	01.1		*1092L	MAR 01/04	01.1	
*1089	MAR 01/04	01.1		*1092M	MAR 01/04	01.1	
*1090	MAR 01/04	01.1		*1092N	MAR 01/04	01.1	
*1090A	MAR 01/04	01.1		*1092O	MAR 01/04	01.1	
*1090B	MAR 01/04	01.1		*1092P	MAR 01/04	01.1	
*1090C	MAR 01/04	01.1		*1092Q	MAR 01/04	01.1	
*1090D	MAR 01/04	01.1		*1092R	MAR 01/04	01.1	
*1090E	MAR 01/04	01.1		*1092S	MAR 01/04	01.1	
*1090F	MAR 01/04	01.1		*1092T	MAR 01/04	01.1	
*1090G	MAR 01/04	01.1		*1092U	MAR 01/04	01.1	
*1090H	MAR 01/04	01.1		*1092V	MAR 01/04	01.1	
*1090I	MAR 01/04	01.1		*1092W	MAR 01/04	01.1	
*1090J	MAR 01/04	01.1		*1092X	MAR 01/04	01.1	
*1090K	MAR 01/04	01.1		*1092Y	MAR 01/04	01.1	
*1090L	MAR 01/04	01.1		*1092Z	MAR 01/04	01.1	
*1090M	MAR 01/04	01.1		*1093	MAR 01/04	01.1	
*1090N	MAR 01/04	01.1		*1094	MAR 01/04	01.1	
*1090O	MAR 01/04	01.1		*1094A	MAR 01/04	01.1	
*1090P	MAR 01/04	01.1		*1094B	MAR 01/04	01.1	
*1090Q	MAR 01/04	01.1		*1094C	MAR 01/04	01.1	
*1090R	MAR 01/04	01.1		*1094D	MAR 01/04	01.1	
*1090S	MAR 01/04	01.1		*1094E	MAR 01/04	01.1	
*1090T	MAR 01/04	01.1		*1094F	MAR 01/04	01.1	
*1090U	MAR 01/04	01.1		*1094G	MAR 01/04	01.1	
*1090V	MAR 01/04	01.1		*1094H	MAR 01/04	01.1	
*1090W	MAR 01/04	01.1		*1094I	MAR 01/04	01.1	
*1090X	MAR 01/04	01.1		*1094J	MAR 01/04	01.1	
*1090Y	MAR 01/04	01.1		*1094K	MAR 01/04	01.1	
*1090Z	MAR 01/04	01.1		*1094L	MAR 01/04	01.1	
*1091	MAR 01/04	01.1		*1094M	MAR 01/04	01.1	
*1092	MAR 01/04	01.1		*1094N	MAR 01/04	01.1	

\* = REVISED, ADDED OR DELETED

**57-43-41**

EFFECTIVE PAGES  
 CONTINUED Page 5  
 01 Mar 01/04

PAGE	DATE	CODE	PAGE	DATE	CODE
ILLUSTRATED PARTS LIST		CONT.	ILLUSTRATED PARTS LIST		CONT.
*10940	MAR 01/04	01.1	*1098A	MAR 01/04	01.1
*1094P	MAR 01/04	01.1	*1098B	MAR 01/04	01.1
*1094Q	MAR 01/04	01.1	*1098C	MAR 01/04	01.1
*1094R	MAR 01/04	01.1	*1098D	MAR 01/04	01.1
*1094S	MAR 01/04	01.1	*1098E	MAR 01/04	01.1
*1094T	MAR 01/04	01.1	*1098F	MAR 01/04	01.1
*1094U	MAR 01/04	01.1	*1098G	MAR 01/04	01.1
*1094V	MAR 01/04	01.1	*1098H	MAR 01/04	01.1
*1094W	MAR 01/04	01.1	*1098I	MAR 01/04	01.1
*1094X	MAR 01/04	01.1	*1098J	MAR 01/04	01.1
*1094Y	MAR 01/04	01.1	*1098K	MAR 01/04	01.1
*1094Z	MAR 01/04	01.1	*1098L	MAR 01/04	01.1
*1095	MAR 01/04	01.1	*1098M	MAR 01/04	01.1
*1096	MAR 01/04	01.1	*1098N	MAR 01/04	01.1
*1096A	MAR 01/04	01.1	*1098O	MAR 01/04	01.1
*1096B	MAR 01/04	01.1	*1098P	MAR 01/04	01.1
*1096C	MAR 01/04	01.1	*1098Q	MAR 01/04	01.1
*1096D	MAR 01/04	01.1	*1098R	MAR 01/04	01.1
*1096E	MAR 01/04	01.1	*1098S	MAR 01/04	01.1
*1096F	MAR 01/04	01.1	*1098T	MAR 01/04	01.1
*1096G	MAR 01/04	01.1	*1098U	MAR 01/04	01.1
*1096H	MAR 01/04	01.1	*1098V	MAR 01/04	01.1
*1096I	MAR 01/04	01.1	*1098W	MAR 01/04	01.1
*1096J	MAR 01/04	01.1	*1098X	MAR 01/04	01.1
*1096K	MAR 01/04	01.1	*1098Y	MAR 01/04	01.1
*1096L	MAR 01/04	01.1	*1098Z	MAR 01/04	01.1
*1096M	MAR 01/04	01.1	*1099	MAR 01/04	01.1
*1096N	MAR 01/04	01.1	*1100	MAR 01/04	01.1
*1096O	MAR 01/04	01.1	*1100A	MAR 01/04	01.1
*1096P	MAR 01/04	01.1	*1100B	MAR 01/04	01.1
*1096Q	MAR 01/04	01.1	*1100C	MAR 01/04	01.1
*1096R	MAR 01/04	01.1	*1100D	MAR 01/04	01.1
*1096S	MAR 01/04	01.1	*1100E	MAR 01/04	01.1
*1096T	MAR 01/04	01.1	*1100F	MAR 01/04	01.1
*1096U	MAR 01/04	01.1	*1100G	MAR 01/04	01.1
*1096V	MAR 01/04	01.1	*1100H	MAR 01/04	01.1
*1096W	MAR 01/04	01.1	*1100I	MAR 01/04	01.1
*1096X	MAR 01/04	01.1	*1100J	MAR 01/04	01.1
*1096Y	MAR 01/04	01.1	*1100K	MAR 01/04	01.1
*1096Z	MAR 01/04	01.1	*1100L	MAR 01/04	01.1
*1097	MAR 01/04	01.1	*1100M	MAR 01/04	01.1
*1098	MAR 01/04	01.1	*1100N	MAR 01/04	01.1

\* = REVISED, ADDED OR DELETED

# 57-43-41

EFFECTIVE PAGES  
 CONTINUED Page 6  
 01 Mar 01/04

114T4101  
015T0165  
015T1507  
DASH NUMBERS LIMITED



PAGE	DATE	CODE	PAGE	DATE	CODE
ILLUSTRATED	PARTS LIST	CONT.			
*11000	MAR 01/04	01.1			
*1100P	MAR 01/04	01.1			
*1100Q	MAR 01/04	01.1			
*1100R	MAR 01/04	01.1			
*1100S	MAR 01/04	01.1			
*1100T	MAR 01/04	01.1			
*1100U	MAR 01/04	01.1			
*1100V	MAR 01/04	01.1			
*1100W	MAR 01/04	01.1			
*1100X	MAR 01/04	01.1			
*1100Y	MAR 01/04	01.1			
*1100Z	MAR 01/04	01.1			
*1101	MAR 01/04	01.1			
*1102	MAR 01/04	01.1			
*1102A	MAR 01/04	01.1			
*1102B	MAR 01/04	01.1			
*1102C	MAR 01/04	01.1			
*1102D	MAR 01/04	01.1			

\* = REVISED, ADDED OR DELETED

57-43-41

EFFECTIVE PAGES  
LAST PAGE Page 7  
01 Mar 01/04

TABLE OF CONTENTS

<u>Paragraph Title</u>	<u>Page</u>
Description and Operation . . . . .	1
Testing/Trouble Shooting (not applicable)	
Disassembly. . . . .	301
Cleaning . . . . .	401
Check. . . . .	501
Repair . . . . .	601
Assembly . . . . .	701
Fits and Clearances. . . . .	801
Special Tools. . . . .	901
Illustrated Parts List . . . . .	1001

**57-43-41**

CONTENTS

Page 1

Mar 01/00

01.1

## INTRODUCTION

The instructions in this manual provide the information necessary to perform maintenance functions ranging from simple checks and replacement to complete shop-type repair.

This manual is divided into separate sections:

- |   |                              |
|---|------------------------------|
| 1. Title Page                                       | 4. List of Effective Pages   |
| 2. Record of Revisions                              | 5. Table of Contents         |
| 3. Temporary Revisions &<br>Service Bulletin Record | 6. Introduction              |
|   | 7. Procedures & IPL Sections |

Refer to the Table of Contents for the page location of applicable sections. An asterisked flagnote \*[ ] in place of the page number indicates that no special instructions are provided since the function can be performed using standard industry practices.

The beginning of the REPAIR section includes a list of the separate repairs, a list of applicable standard Boeing practices, and an explanation of the True Position Dimensioning symbols used.

An explanation of the use of the Illustrated Parts List is provided in the Introduction to that section.

All weights and measurements used in the manual are in English units, unless otherwise stated. When metric equivalents are given they will be in parentheses following the English units.

Design changes, optional parts, configuration differences and Service Bulletin modifications create alternate part numbers. These are identified in the Illustrated Parts List (IPL) by adding an alphabetical character to the basic item number. The resulting item number is called an alpha-variant. Throughout the manual, IPL basic item number references also apply to alpha-variants unless otherwise indicated.

Verification:

Assembly

**57-43-41**

INTRODUCTION

01.1

Page 1

Mar 01/00

OUTBOARD SLAT NO. 1 AND NO. 12 WING LEADING EDGE STRUCTURE ASSEMBLY

DESCRIPTION AND OPERATION

1. Description and Operation

A. The slat No. 1 and No. 12 structure assembly is composed of aluminum frames and skin, graphite/epoxy with honeycomb core trailing edge wedge assembly, two main track rib assemblies, two auxiliary arm and rib assemblies, two auxiliary rib assemblies, two actuator rib assemblies, three nose rib assemblies, an airload rib assembly, and various seals and retainers. When closed, it forms part of the normal contour of the wing; when opened during take-off and landing, it increases the aerodynamic lift of the wing.

2. Leading Particulars (approximate)

Length -- 145 inches  
Height -- 25 inches  
Width -- 11 inches  
Weight -- 106 pounds each

57-43-41

DESCRIPTION & OPERATION

01.1

Page 1

Mar 01/00

| DISASSEMBLY

- | 1. Disassemble this component using standard industry practices.

| NOTE: Disassemble this component only as necessary to complete fault isolation, determine the serviceability of parts, perform required repairs, and restore the unit to serviceable condition.

| Locally fabricated tooling is recommended for assistance when removing and replacing fittings on the assembly.

- | 2. Record location and thickness of all shims for reference during assembly.

57-43-41

DISASSEMBLY

01.1

Page 301

Mar 01/00

114T4101  
015T0165  
015T1507  
DASH NUMBERS LIMITED



CLEANING

1. Clean all parts using standard industry practices (Ref 20-30-03).

**57-43-41**

01.1  
CLEANING  
Page 401  
Mar 01/00



CHECK

1. Examine all parts for defects by standard industry practices. Do the magnetic particle check or penetrant check only if the visual check finds possible defects.
2. Do a visual check of the honeycomb and the bonded parts for delamination, internal water, scratches, and contour defects.
  - A. If you see delamination or impact damage, do an ultrasonic inspection or do a tap test to find all of the damage.

NOTE: For the tap test, use a solid metal disk and tap the surface area lightly but firmly. A dull sound indicates a void area. A sharp ringing sound indicates a solid bonded area. Refer to the 767 Nondestructive Test Manual, Part 1, 51-05-01.

- B. For areas that you suspect contain water, examine them radiographically or by thermography as shown in the 767 Nondestructive Test Manual, Part 9, 51-00-01.
  - C. Refer to 767 Structural Repair Manual 57-43-02 for allowable damage data.
3. Magnetic particle check per SOPM 20-20-01 -- Fitting (IPL Fig. 2, 194B; IPL Fig. 3, 194A).
4. Penetrant check as specified by SOPM 20-20-02:
  - A. Fairings (IPL Fig. 2, 92, 94), stiffeners (141, 171, 191, 229, 249, 279, 299, 323), ribs (484, 486, 526, 528, 566, 568, 606, 608, 753), arms (684, 686, 688, 690, 704, 706, 708, 710, 722, 724, 726, 728), beam assembly (758, 760), fittings (554N, 554T, 594N, 594V).
  - B. Fairings (IPL Fig. 3, 92, 94), stiffeners (141, 171, 191, 221, 241, 267, 287, 311), ribs (444, 446, 486, 488, 528, 529, 570, 574, 618, 620, 622, 624, 635, 643, 659), beam assembly (666, 668).

57-43-41

CHECK

01.1

Page 501

Mar 01/04

REPAIR – GENERAL

1. Content

A. Repair, refinish and replacement procedures are included in separate repair sections as follows:

<u>P/N</u>	<u>NAME</u>	<u>REPAIR</u>
114T4140	AUXILIARY ARM ASSEMBLY	1-1
114T4140	AUXILIARY ARM ASSEMBLY	2-1
114T4400 114T4401	MAIN TRACK RIB ASSEMBLY	3-1
114T4500 114T4501	DELETED	4-1
114T4510	DELETED	5-1
114T4512 114T4513	AUXILIARY RIB ASSEMBLY	6-1
114T4600 114T4601	ACTUATOR RIB ASSEMBLY	7-1
- - -	MISCELLANEOUS PARTS REFINISH	8-1
114T4186 114T4187	PIVOT FITTING ASSEMBLY	9-1
114T4180	DELETED	10-1, 10-2
114T4101	OUTBOARD SLAT STRUCTURE ASSEMBLY NO. 1 AND 12	11-1

**57-43-41**

REPAIR-GENERAL

01.1

Page 601

Nov 01/00

## 2. Standard Practices

A. Refer to the following standard practices, as applicable, for details of procedures in individual repairs.

- 20-10-01 Repair and Refinish of High Strength Steel Parts
- 20-10-03 Shot Peening
- 20-10-06 Repair of Conductive Coatings
- 20-20-01 Magnetic Particle Inspection
- 20-20-02 Penetrant Methods of Inspection
- 20-30-02 Stripping of Protective Finishes
- 20-30-03 General Cleaning Procedures
- 20-41-01 Decoding Table for Boeing Finish Codes
- 20-41-02 Application of Chemical and Solvent Resistant Finishes
- 20-41-05 Application of Corrosion Inhibiting Compounds
- 20-42-05 Bright Cadmium Plating
- 20-43-01 Chromic Acid Anodizing
- 20-43-03 Chemical Conversion Coatings for Aluminum
- 20-50-03 Bearing and Bushing Replacement
- 20-50-10 Application of Stencils, Insignia, Silk Screen, Part Numbering and Identification Markings
- 20-50-13 Application of Weather, Fuel Oil, Solvent and Heat Resistant Protective Coatings
- 20-60-02 Finishing Materials
- 20-60-04 Miscellaneous Materials
- 20-70-01 Protection, Storage, and Handling of Airplane Components

## 3. Materials

NOTE: Equivalent substitutes can be used.

- A. Coating, conductive -- BMS 10-21, type 3 (Ref 20-60-02)
- B. Coating, teflon filled -- BMS 10-86, type 1 or type 2 (Ref 20-60-02)
- C. Conditioner, static -- Dexter 28-C-1 (Ref 20-60-02)
- D. Enamel -- BMS 10-60, type 1 (Ref 20-60-02)

**57-43-41**

REPAIR-GENERAL

01.1

Page 602

Mar 01/04

- E. Primer -- BMS 10-11, type 1 (Ref 20-60-02)
- F. Primer -- BMS 10-79, type 2 (Ref 20-60-02)
- G. Primer -- BMS 10-79, type 3 (Ref 20-60-02)
- H. Sealant -- BMS 5-95 (Ref 20-60-04)
- I. Surfacer -- Dexter 8-W-5 (Ref 20-60-02)
- J. Surfacer -- Epocast 156 (Ref 20-60-02)

4. Dimensioning Symbols

- A. Standard True Positioning Dimensioning Symbols used in applicable Repair procedures are shown in Fig. 601.

57-43-41

REPAIR-GENERAL

01.101

Page 603

Mar 01/04

- STRAIGHTNESS
- ▭ FLATNESS
- ⊥ PERPENDICULARITY (OR SQUARENESS)
- // PARALLELISM
- ROUNDNESS
- ⊘ CYLINDRICITY
- ⌒ PROFILE OF A LINE
- △ PROFILE OF A SURFACE
- ◎ CONCENTRICITY
- ≡ SYMMETRY
- ∠ ANGULARITY
- ↗ RUNOUT
- ↗ TOTAL RUNOUT
- ⊓ COUNTERBORE OR SPOTFACE
- ∇ COUNTERSINK

- ⊕ THEORETICAL EXACT POSITION OF A FEATURE (TRUE POSITION)
- ∅ DIAMETER
- S ∅ SPHERICAL DIAMETER
- R RADIUS
- SR SPHERICAL RADIUS
- ( ) REFERENCE
- BASIC (BSC) OR DIM A THEORETICALLY EXACT DIMENSION USED TO DESCRIBE SIZE, SHAPE OR LOCATION OF A FEATURE FROM WHICH PERMISSIBLE VARIATIONS ARE ESTABLISHED BY TOLERANCES ON OTHER DIMENSIONS OR NOTES.
- A- DATUM
- Ⓜ MAXIMUM MATERIAL CONDITION (MMC)
- Ⓛ LEAST MATERIAL CONDITION (LMC)
- Ⓢ REGARDLESS OF FEATURE SIZE (RFS)
- Ⓟ PROJECTED TOLERANCE ZONE
- FIM FULL INDICATOR MOVEMENT

**EXAMPLES**

— 0.002

STRAIGHT WITHIN 0.002

◎ ∅ 0.0005 C

CONCENTRIC TO C WITHIN 0.0005 DIAMETER

⊥ 0.002 B

PERPENDICULAR TO B WITHIN 0.002

≡ 0.010 A

SYMMETRICAL WITH A WITHIN 0.010

// 0.002 A

PARALLEL TO A WITHIN 0.002

∠ 0.005 A

ANGULAR TOLERANCE 0.005 WITH A

○ 0.002

ROUND WITHIN 0.002

⊕ ∅ 0.002 Ⓢ B

LOCATED AT TRUE POSITION WITHIN 0.002 DIA RELATIVE TO DATUM B, REGARDLESS OF FEATURE SIZE

⊘ 0.010

CYLINDRICAL SURFACE MUST LIE BETWEEN TWO CONCENTRIC CYLINDERS, ONE OF WHICH HAS A RADIUS 0.010 INCH GREATER THAN THE OTHER

⊥ ∅ 0.010 Ⓜ A  
 0.510 Ⓟ

AXIS IS TOTALLY WITHIN A CYLINDER OF 0.010-INCH DIAMETER, PERPENDICULAR TO, AND EXTENDING 0.510-INCH ABOVE, DATUM A, MAXIMUM MATERIAL CONDITION

⌒ 0.006 A

EACH LINE ELEMENT OF THE SURFACE AT ANY CROSS SECTION MUST LIE BETWEEN TWO PROFILE BOUNDARIES 0.006 INCH APART RELATIVE TO DATUM PLANE A

2.000

THEORETICALLY EXACT DIMENSION IS 2.000

▭ 0.020 A

SURFACES MUST LIE WITHIN PARALLEL BOUNDARIES 0.02 INCH APART AND EQUALLY DISPOSED ABOUT TRUE PROFILE

OR  
 2.000  
 BSC

**NOTE:** DATUM MAY APPEAR AT EITHER SIDE OF TOLERANCE FRAME

0.020 A

A 0.020

True Position Dimensioning Symbols  
 Figure 601

**57-43-41**

REPAIR-GENERAL

01.1

Page 604

Mar 01/00

OUTBOARD AUXILIARY ARM ASSEMBLY – REPAIR 1-1

114T4140-81, -82, -89, -90

**NOTE:** Refer to REPAIR – GENERAL for a list of applicable standard practices.

1. Bushing Replacement (IPL Fig. 2; 680A)

- A. Remove bushing.
- B. Check the hole for the bushing for damage or corrosion. Repair, if necessary, per par. 2.
- C. Install bushing per 20-50-03 using wet BMS 5-95 sealant.
- D. Machine the bore of the bushing to the dimension shown (Fig. 601).

2. Repair

- A. Repair hole for bushing (680A).

- (1) Machine auxiliary arm (684, 688) to the repair limit to remove discrepancies, per Fig. 601.
- (2) Penetrant check per 20-20-02.
- (3) Refinish per par. 3.
- (4) Fabricate oversize bushing per Fig. 602.

3. Refinish

- A. Auxiliary arm (684, 688) -- Chromic acid anodize, and apply one coat BMS 10-11, type 1 primer (F-18.13) all over, except omit primer from bushing holes. Material: Aluminum alloy.

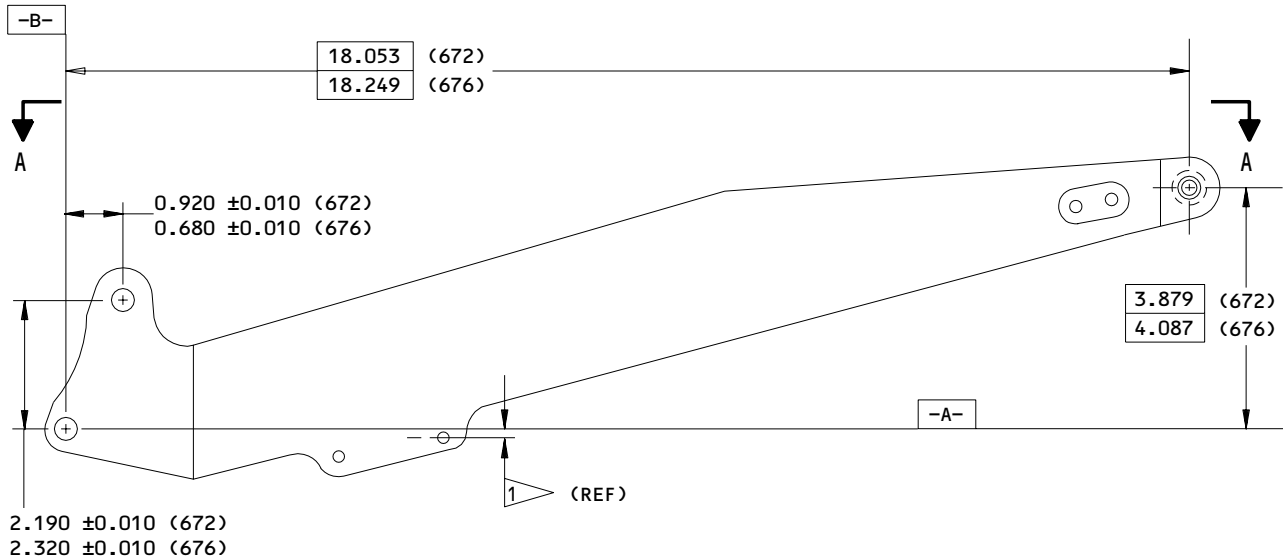
**57-43-41**

REPAIR 1-1

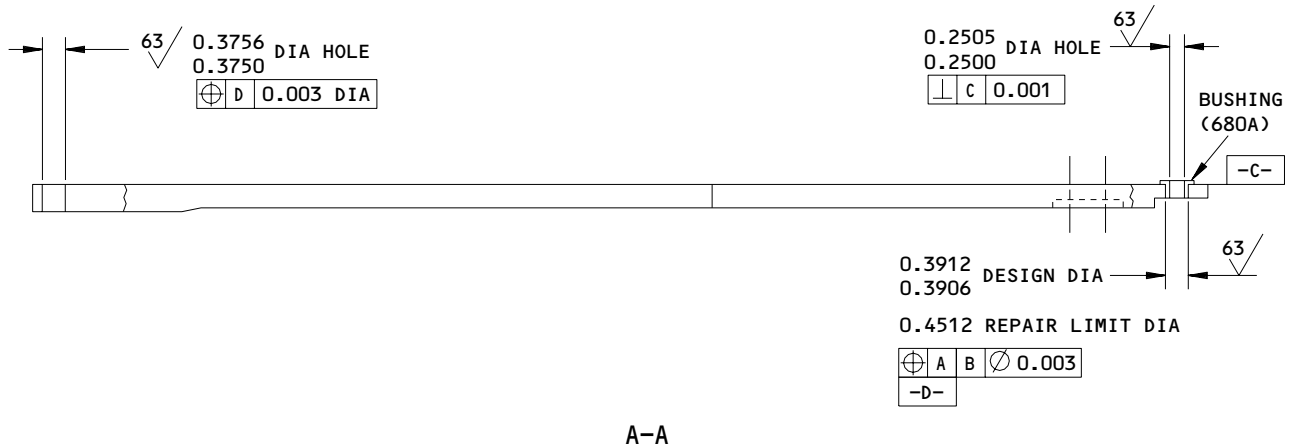
01.1

Page 601

Mar 01/04



114T4140-81,-89 SHOWN  
 114T4140-82,-90 OPPOSITE



1 0.06 ±0.01 BELOW -A- FOR AUX ARM ASSY (672). 0.07 ±0.01 ABOVE -A- FOR AUX ARM ASSY (676)

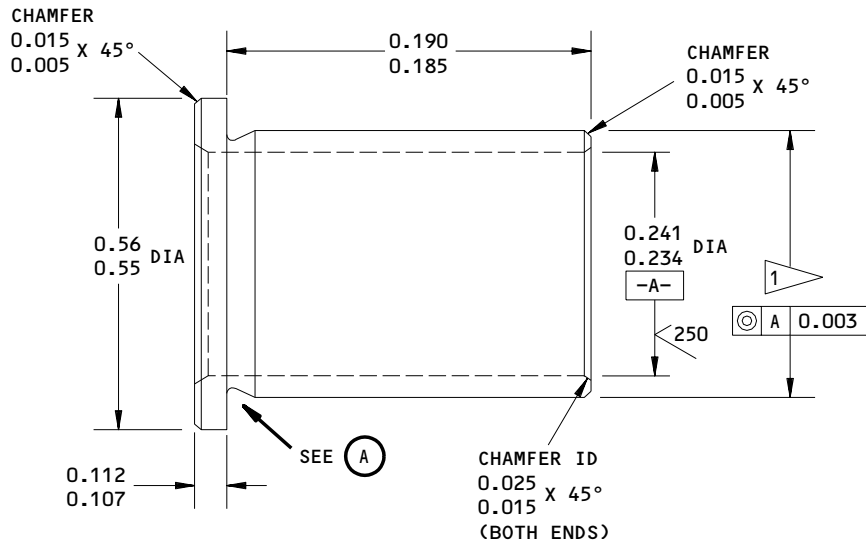
**REPAIR**  
 125/ ALL MACHINED SURFACES UNLESS SHOWN DIFFERENTLY  
 MATERIAL: ALUMINUM ALLOY  
 ALL DIMENSIONS ARE IN INCHES  
 ITEM NUMBERS REFER TO IPL FIG. 2

114T4140-81,-82,-89,-90  
 Outboard Auxiliary Arm Assembly Bushing Replacement  
 Figure 601

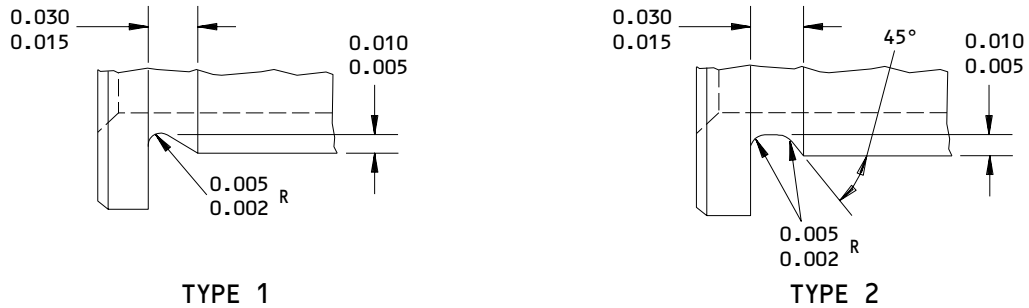
**57-43-41**

REPAIR 1-1  
 Page 602  
 Mar 01/04

01.1



REPLACEMENT BUSHING FOR BUSHING (680A)



TYPE 1

TYPE 2

UNDERCUT TYPE 1 OR TYPE 2 OPTIONAL

(A)

1 FINAL BUSHING OUTSIDE DIA EQUALS REPAIR  
 DIA OF ARM PLUS INTERFERENCE 0.0003-0.0015

63 ALL MACHINED SURFACES UNLESS SHOWN  
 DIFFERENTLY

ANGULAR TOLERANCE, ±0.50 DEG

CHECK: MAGNETIC PARTICLE INSPECT PER  
 SOPM 20-20-01, CLASS C AFTER MACHINING

MATERIAL: 15-5PH CRES, 180-200 KSI

FINISH: CADMIUM PLATE (F-15.06)

ITEM NUMBERS REFER TO IPL FIG. 2

ALL DIMENSIONS ARE IN INCHES

DIMENSIONS APPLY AFTER PLATING

Oversize Bushing Details  
 Figure 602

**57-43-41**

REPAIR 1-1

01.1

Page 603

Mar 01/04



INBOARD AUXILIARY ARM ASSEMBLY – REPAIR 2-1

114T4140-83, -84, -91, -92

**NOTE:** Refer to REPAIR – GENERAL for a list of applicable standard practices.

1. Bushing Replacement (IPL Fig. 2; 700A)

- A. Remove bushing.
- B. Check the hole for the bushing for damage or corrosion. Repair, if necessary, per par. 2.
- C. Install bushing per 20-50-03 using wet BMS 5-95 sealant.
- D. Machine the bore of the bushing to the dimension shown (Fig. 601).

2. Repair

- A. Repair hole for bushing (700A).
  - (1) Machine auxiliary arm (704, 708) to the repair limit to remove discrepancies, per Fig. 601.
  - (2) Penetrant check per 20-20-02.
  - (3) Refinish per par. 3.
  - (4) Fabricate oversize bushing per Fig. 602.

3. Refinish

- A. Auxiliary arm (704, 708) -- Chromic acid anodize, and apply one coat BMS 10-11, type 1 primer (F-18.13) all over, except omit primer from bushing holes. Material: Aluminum alloy.

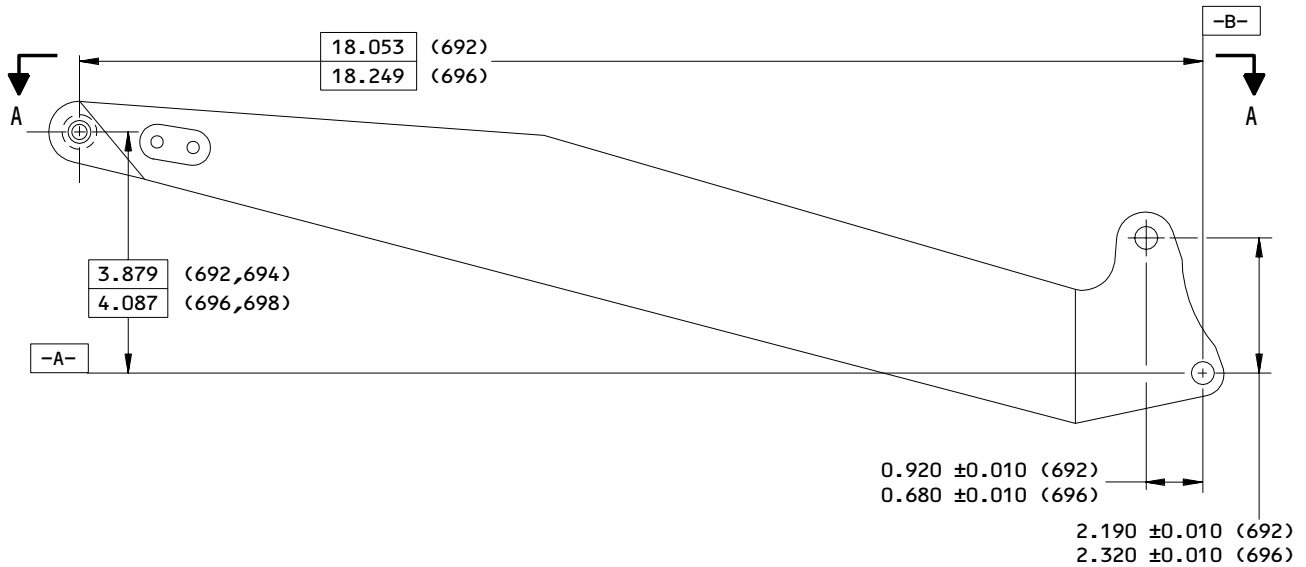
**57-43-41**

REPAIR 2-1

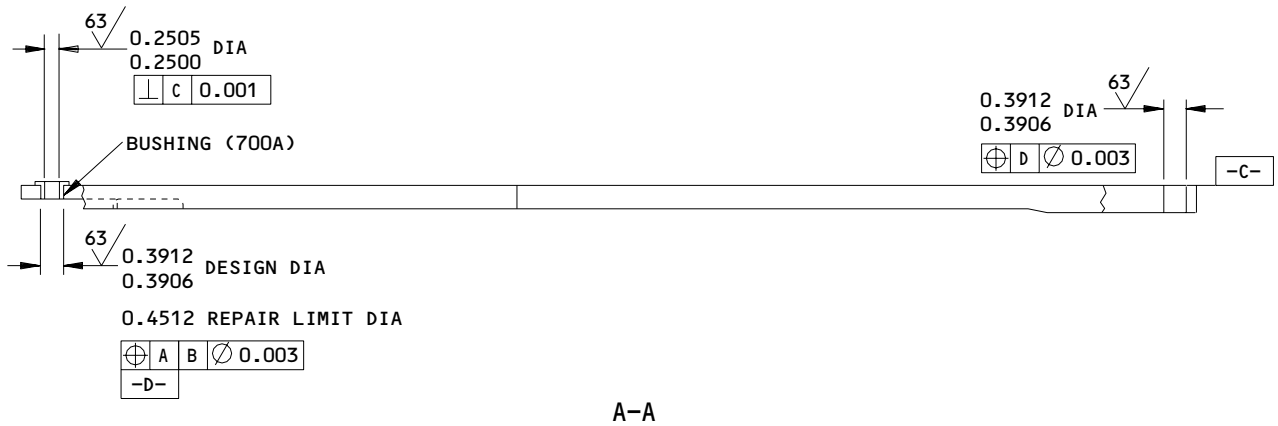
01.1

Page 601

Mar 01/04



114T4140-83,-91 SHOWN  
 114T4140-82,-92 OPPOSITE



**REPAIR**

125/ ALL MACHINED SURFACES UNLESS SHOWN  
 DIFFERENTLY

MATERIAL: ALUMINUM ALLOY

ALL DIMENSIONS ARE IN INCHES

ITEM NUMBERS REFER TO IPL FIG. 2

114T4140-83,-84,-91,-92  
 Inboard Auxiliary Arm Assembly Bushing Replacement  
 Figure 601

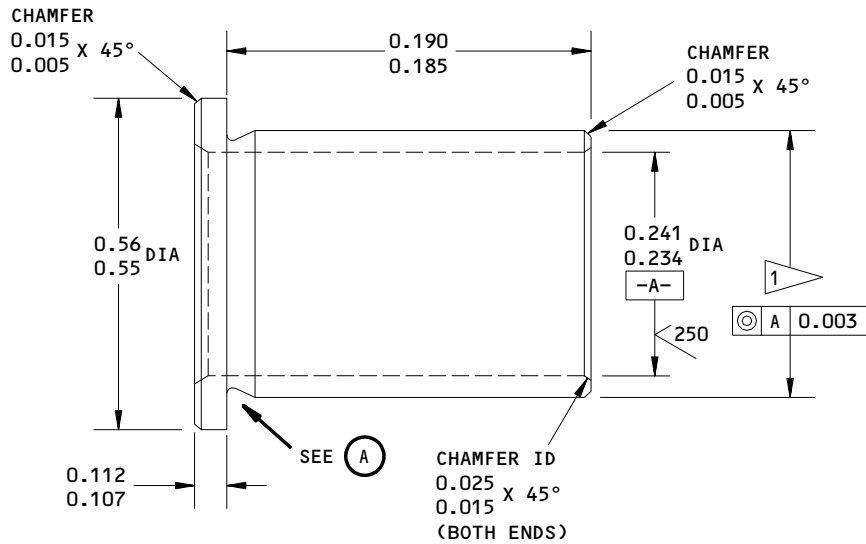
**57-43-41**

REPAIR 2-1

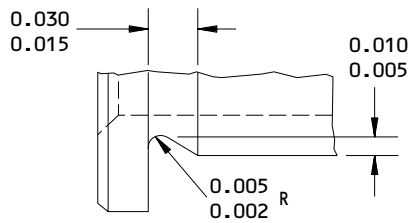
01.1

Page 602

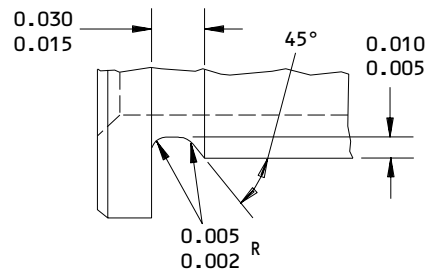
Mar 01/04



REPLACEMENT BUSHING FOR BUSHING (700A)



TYPE 1



TYPE 2

UNDERCUT TYPE 1 OR TYPE 2 OPTIONAL

(A)

1 FINAL BUSHING OUTSIDE DIA EQUALS REPAIR  
 DIA OF ARM PLUS INTERFERENCE OF 0.0003-0.0015

63 ALL MACHINED SURFACES UNLESS SHOWN  
 DIFFERENTLY

ANGULAR TOLERANCE,  $\pm 0.50$  DEG

CHECK: MAGNETIC PARTICLE INSPECT PER  
 SOPM 20-20-01, CLASS C AFTER MACHINING

MATERIAL: 15-5PH CRES, 180-200 KSI

FINISH: CADMIUM PLATE (F-15.06)

ITEM NUMBERS REFER TO IPL FIG. 2

ALL DIMENSIONS ARE IN INCHES

DIMENSIONS APPLY AFTER PLATING

Oversize Bushing Details  
 Figure 602

57-43-41

REPAIR 2-1

01.1

Page 603

Mar 01/04

MAIN TRACK RIB ASSEMBLY – REPAIR 3-1

114T4400-13, -14  
114T4401-13, -14

**NOTE:** Refer to REPAIR – GENERAL for a list of applicable standard practices.

1. Bushing Replacement (IPL Fig. 2; 557, 557G, 597, 597G) (IPL Fig. 3; 527, 527G, 569, 569G)

- A. Remove bushings.
- B. Check the holes for the bushings for damage or corrosion. Repair, if necessary, per par. 2.
- C. Install bushings per 20-50-03 using wet BMS 5-95 sealant.
- D. Machine bores of bushings to dimensions shown (Fig. 601).
- E. Chamfer both ends ID of bushings 0.005-0.015 inch per 45 degrees.
- F. Fillet seal around flanges of bushings using BMS 5-95 sealant.

2. Repair

- A. Repair the hole for the bushing (IPL Fig. 2; 557, 557G, 597, 597G) (IPL Fig. 3; 527, 527G, 569, 569G).
  - (1) Machine rib (IPL Fig. 2; 566B, 606B) (IPL Fig. 3; 528A, 570A) to the repair limit to remove discrepancies, per Fig. 601.
  - (2) Penetrant check per 20-20-02.
  - (3) Shot peen bore(s) per 20-10-03 and Fig. 601.
  - (4) Refinish per par. 3.
  - (5) Fabricate oversize bushing(s) per Fig. 602 and 603.

3. Refinish

- A. Ribs (IPL Fig. 2; 566B, 606B) (IPL Fig. 3; 528A, 570A) -- Chromic acid anodize, and apply one coat BMS 10-11, type 1 primer (F-18.13) all over, except omit primer from bushing holes. Material: Aluminum alloy.

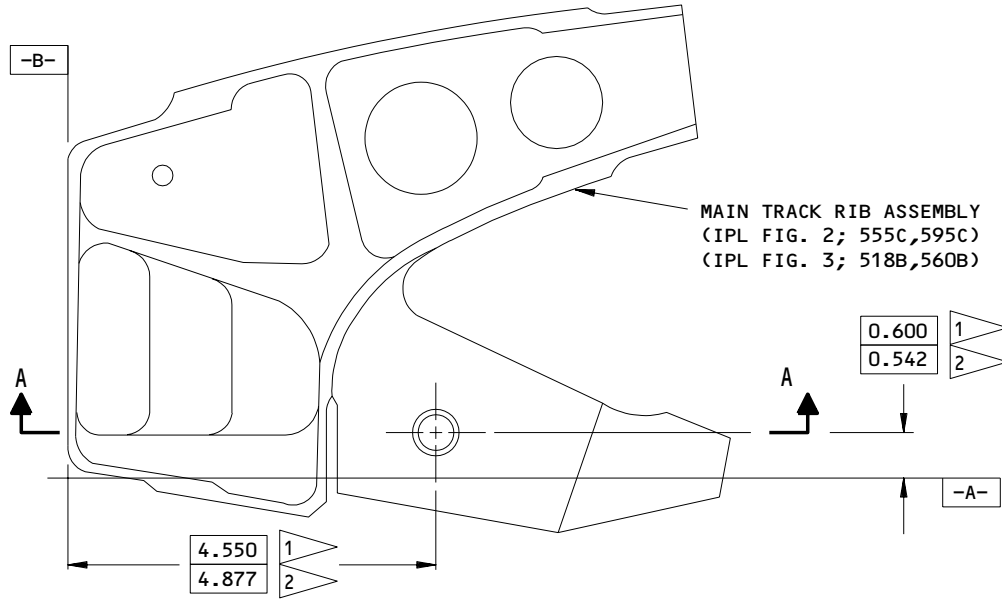
**57-43-41**

REPAIR 3-1

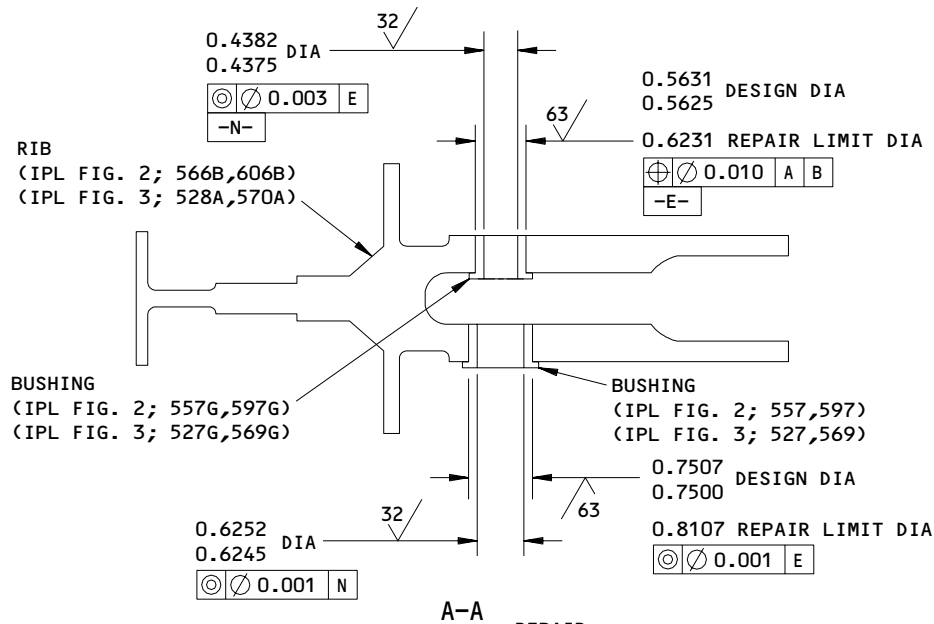
01.1

Page 601

Mar 01/04



114T4400-13, 14T4401-13 SHOWN  
 114T4400-14, 14T4401-14 OPPOSITE



- 1 114T4400-13
- 2 114T4401-13

**REPAIR**  
 125 ✓ ALL MACHINED SURFACES UNLESS SHOWN  
 DIFFERENTLY

SHOT PEEN (MANUAL PEEN OPTIONAL):  
 0.0230-0.0550 SHOT SIZE  
 0.004-0.007 A INTENSITY  
 2.0 COVERAGE

ALL DIMENSIONS ARE IN INCHES

114T4400-13,-14  
 114T4401-13,-14  
 Main Track Rib Assembly - Repair  
 Figure 601

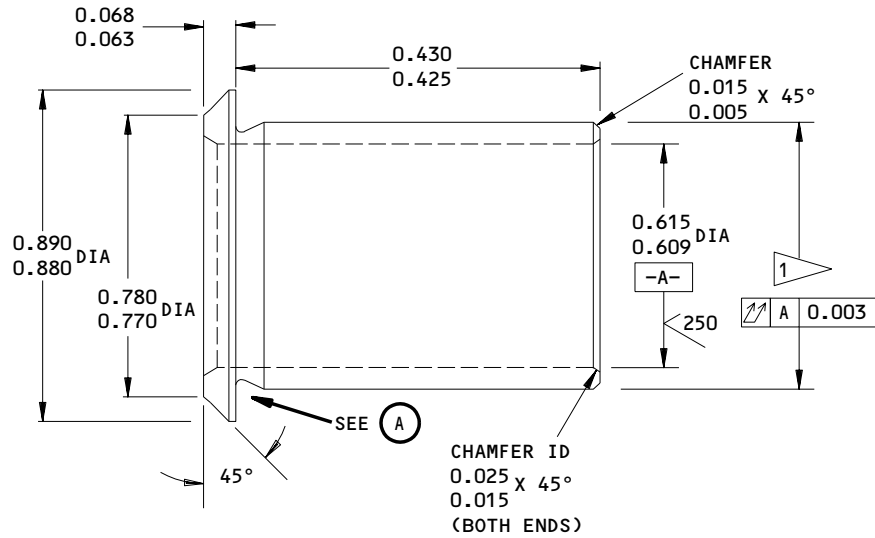
**57-43-41**

REPAIR 3-1

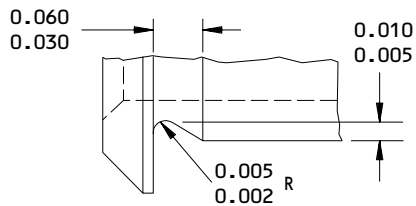
01.1

Page 602

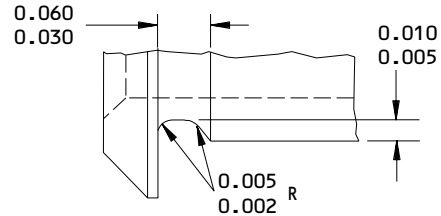
Mar 01/04



**REPLACEMENT BUSHING FOR BUSHINGS**  
 (IPL FIG.2; 557,597)  
 (IPL FIG.3; 527,569)



**TYPE 1**



**TYPE 2**

**UNDERCUT TYPE 1 OR TYPE 2 OPTIONAL**

(A)

1 FINAL BUSHING OUTSIDE DIA EQUALS REPAIR DIA OF FITTING PLUS INTERFERENCE OF 0.0005-0.0019

63/ ALL MACHINED SURFACES UNLESS SHOWN DIFFERENTLY

ANGULAR TOLERANCE,  $\pm 0.50$  DEG

MATERIAL: AL-NI-BR PER AMS 4640

FINISH: CADMIUM PLATE PER SOPM 20-42-05, TYPE 2, CLASS 2. PLATING IN BORE OPTIONAL

ALL DIMENSIONS ARE IN INCHES

DIMENSIONS APPLY AFTER PLATING

**Oversize Bushing Details**  
**Figure 602**

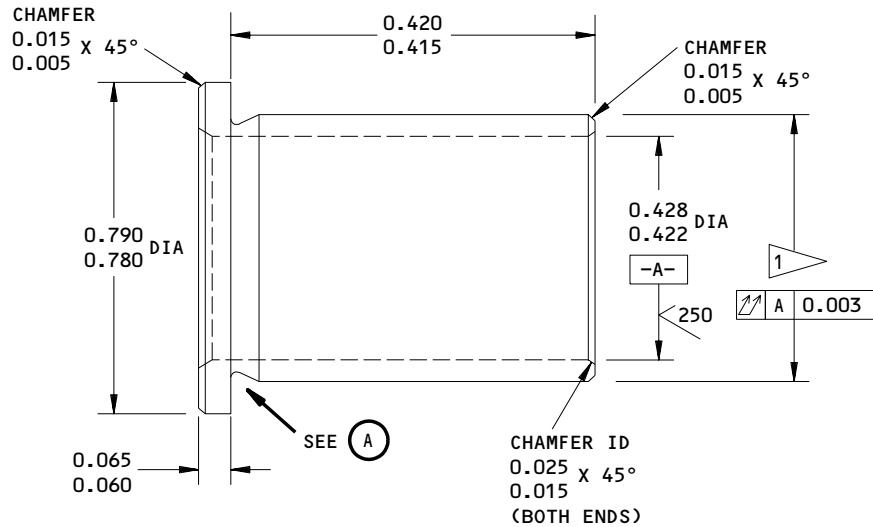
**57-43-41**

REPAIR 3-1

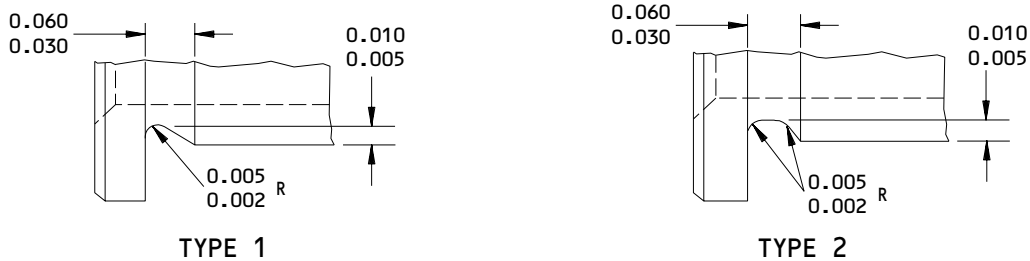
01.1

Page 603

Mar 01/04



**REPLACEMENT BUSHING FOR BUSHINGS**  
 (IPL FIG. 2; 557G,597G)  
 (IPL FIG. 3; 527G,569G)



**UNDERCUT TYPE 1 OR TYPE 2 OPTIONAL**

(A)

1 FINAL BUSHING OUTSIDE DIA EQUALS REPAIR DIA OF FITTING PLUS INTERFERENCE OF 0.0005-0.0017

63/ ALL MACHINED SURFACES UNLESS SHOWN DIFFERENTLY

ANGULAR TOLERANCE,  $\pm 0.50$  DEG

MATERIAL: 15-5PH CRES, 180-200 KSI

FINISH: CADMIUM PLATE PER SOPM 20-42-05, TYPE 2, CLASS 2. PLATING IN BORE OPTIONAL

ALL DIMENSIONS ARE IN INCHES

DIMENSIONS APPLY AFTER PLATING

**Oversize Bushing Details**  
**Figure 603**

**57-43-41**

REPAIR 3-1

01.1

Page 604

Mar 01/04

AUXILIARY RIB ASSEMBLY - REPAIR 6-1

114T4512-5, -6, -9, -10, -13, -14, -401, -402, -405, -406  
114T4513-5, -6, -9, -10, -13, -14, -401, -402

**NOTE:** Refer to REPAIR - GENERAL for a list of applicable standard practices.

1. Bushing Replacement (IPL Fig. 2; 844, 894) (IPL Fig. 3; 608B)

- A. Remove bushings.
- B. Check the holes for the bushings for damage or corrosion. Repair, if necessary, per par. 2.
- C. Install bushings per 20-50-03 using wet BMS 5-95 sealant.
- D. Machine the bore of the bushing to the dimensions shown (Fig. 601).
- E. Chamfer both ends ID of bushings 0.005-0.015 inch per 45 degrees.
- F. Fillet seal around flanges of bushings using BMS 5-95 sealant, making fillet flush with flange. Verify that no sealant is on plane surface of flanges.

2. Repair

- A. Repair hole for bushing (IPL Fig. 2; 844, 894) (IPL Fig. 3; 608B).
  - (1) Machine rib (IPL Fig. 2; 846, 896) (IPL Fig. 3; 618, 622) to the repair limit to remove discrepancies, per Fig. 601.
- B. Penetrant check per 20-20-02.
  - (1) Shot peen bore(s) per 20-10-03 and Fig. 601.
  - (2) Refinish per par. 3.
  - (3) Fabricate oversize bushing(s) per Fig. 602.

3. Refinish

- A. Rib (IPL Fig. 2; 846, 896) (IPL Fig. 3; 618, 622) -- Anodize (F-17.04) or (F-17.31) and apply one layer of BMS 10-11, type 1 primer (F-20.02), except do not apply primer in the holes for the bushings. Optional: For bushing holes and touch up of small areas of bare metal, apply chemical treat (F-17.10) instead of anodize. Material: Aluminum alloy.

57-43-41

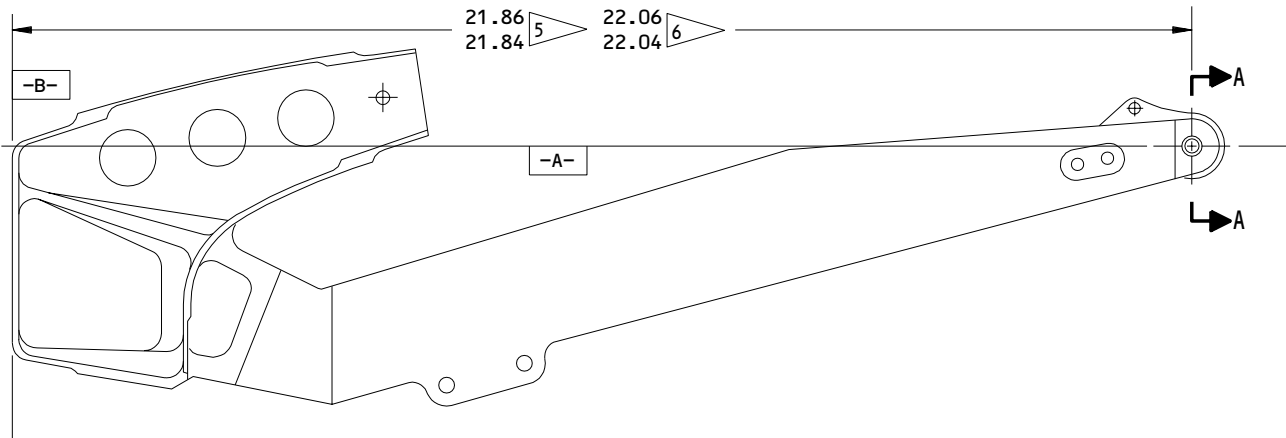
REPAIR 6-1

01.1

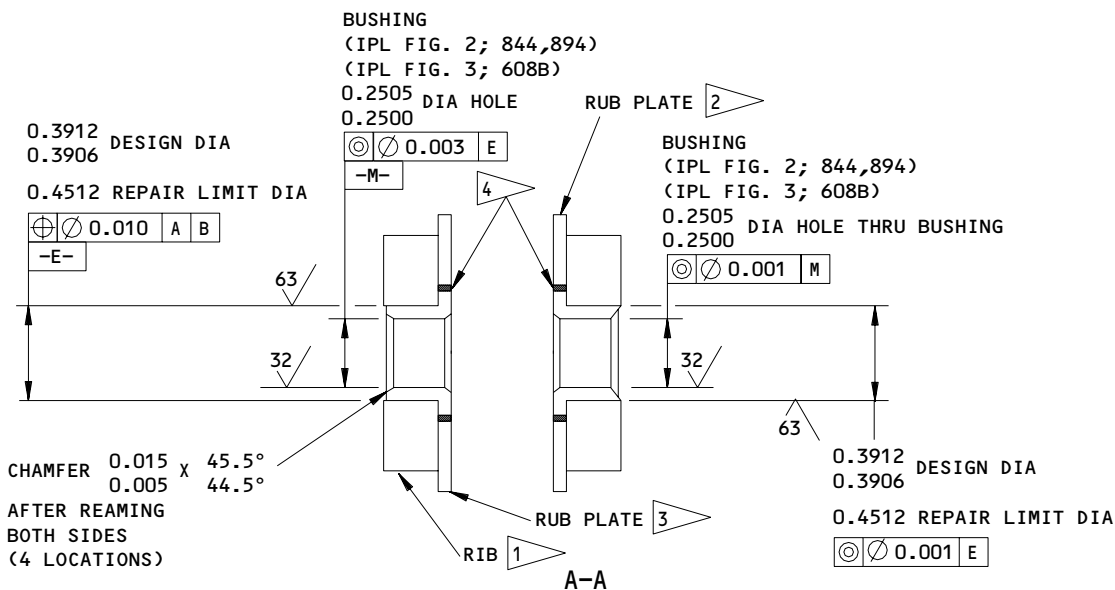
Page 601

Mar 01/04





114T4512-5,-9,-13,-401,-405, 114T4513-5,-9,-13,-401 SHOWN  
 114T4512-6,-10,-14,-402,-406, 114T4513-6,-10,-14,-402 OPPOSITE



- 1 IPL FIG. 2; 846,896  
IPL FIG. 3; 618,622
- 2 IPL FIG. 2; 842,892  
IPL FIG. 3; 616A
- 3 IPL FIG. 2; 840,890  
IPL FIG. 3; 616B
- 4 FILL THE GAP BETWEEN THE BUSHING AND THE  
RUB PLATE WITH BMS 5-95 SEALANT
- 5 114T4512-5,-9,-13,-401,-405
- 6 114T4513-5,-9,-13,-401

**REPAIR**

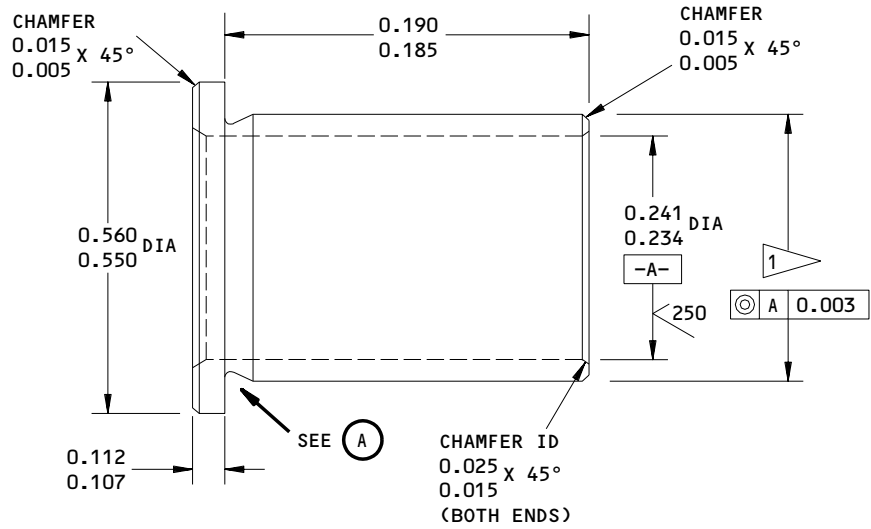
125/ ALL MACHINED SURFACES UNLESS SHOWN  
 DIFFERENTLY

SHOT PEEN: 0.0230-0.0550 SHOT SIZE  
 0.003-0.005 A INTENSITY  
 2.0 COVERAGE

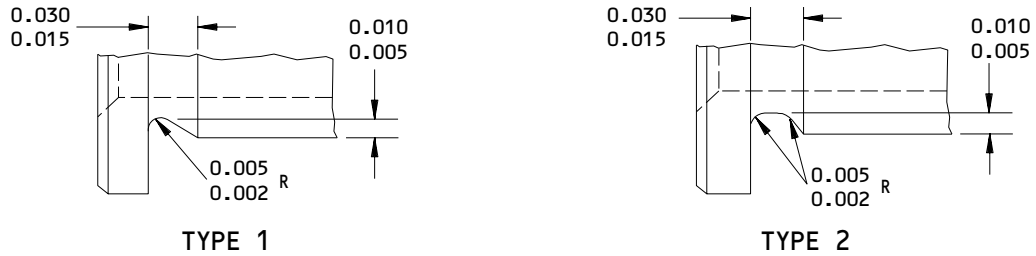
MATERIAL: ALUMINUM ALLOY

ALL DIMENSIONS ARE IN INCHES

114T4512-5,-6,-9,-10,-13,-14,-401,-402,-405,-406  
 114T4513-5,-6,-9,-10,-13,-14,-401,-402  
 Auxiliary Rib Assembly Bushing Replacement  
 Figure 601



REPLACEMENT BUSHING FOR BUSHINGS  
 (IPL FIG. 2; 844,894)  
 (IPL FIG. 3; 608B)



UNDERCUT TYPE 1 OR TYPE 2 OPTIONAL

(A)

1 FINAL BUSHING OUTSIDE DIA EQUALS REPAIR  
 DIA OF RIB PLUS INTERFERENCE OF  
 0.0003-0.0015

63/ ALL MACHINED SURFACES UNLESS SHOWN  
 DIFFERENTLY

ANGULAR TOLERANCE, ±0.50 DEG

CHECK: MAGNETIC PARTICLE INSPECT PER  
 SOPM 20-20-01, CLASS C AFTER MACHINING

MATERIAL: 15-5PH CRES, 180-200 KSI

FINISH: CADMIUM PLATE (F-15.06)

ALL DIMENSIONS ARE IN INCHES

DIMENSIONS APPLY AFTER PLATING

Oversize Bushing Details  
 Figure 602

57-43-41

REPAIR 6-1

01.1

Page 603

Mar 01/04

ACTUATOR RIB ASSEMBLY – REPAIR 7-1

114T4600-5, -6, -17, -18, -21, -22  
114T4601-5, -6, -17, -18, -21, -22

**NOTE:** Refer to REPAIR – GENERAL for a list of applicable standard practices.

1. Bushing Replacement (IPL Fig. 2; 470, 471, 472, 472B, 473, 512, 512A, 514, 514B, 514C) (IPL Fig. 3; 430, 432, 472, 474)

- A. Remove bushings.
- B. Check the hole for the bushing for damage or corrosion. Repair if necessary, per par. 2.
- C. Install bushings per 20-50-03 using wet BMS 5-95 sealant.
- D. Machine the bore of the bushing to the dimensions shown (Fig. 601).
- E. Chamfer both ends ID of bushings 0.005-0.015 inch per 45 degrees.
- F. Fillet seal around flanges of bushings using BMS 5-95 sealant.

2. Repair

A. Repair hole for bushing (IPL Fig. 2; 470, 471, 472, 472B, 473, 512, 512A, 514, 514B, 514C) (IPL Fig. 3; 430, 432, 472, 474).

- (1) Machine rib (IPL Fig. 2; 484, 526) (IPL Fig. 3; 444, 486) to the repair limit to remove discrepancies, per Fig. 601.
- (2) Penetrant check per 20-20-02.
- (3) Shot peen bore(s) per 20-10-03 and Fig. 601.
- (4) Refinish per par. 3.
- (5) Fabricate oversize bushing(s) per Fig. 602 and 603.

3. Refinish

- A. Ribs (IPL Fig. 2; 484, 526) (IPL Fig. 3; 444, 486) -- Chromic acid anodize, and apply one coat BMS 10-11, type 1 primer (F-18.13) all over except omit primer from bushing hole. Optional: Chemically treat (F-17.10) bushing hole. Material: Aluminum alloy.

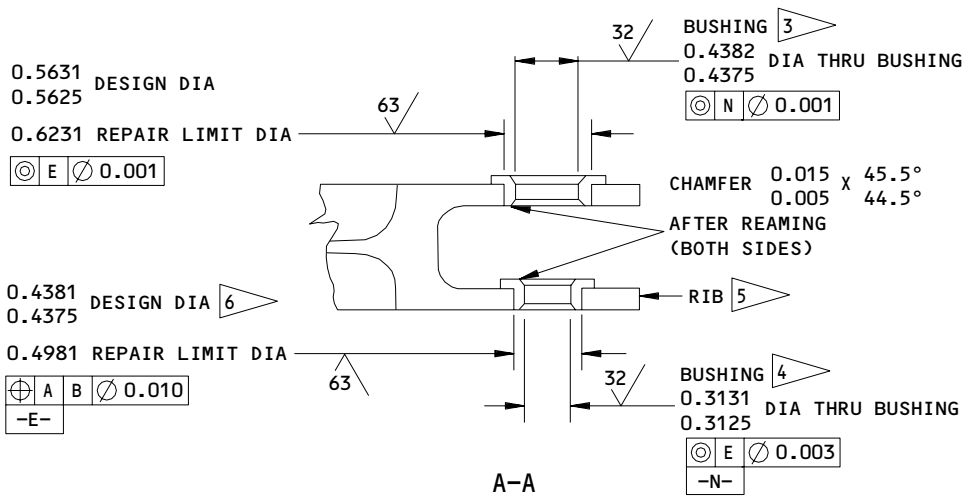
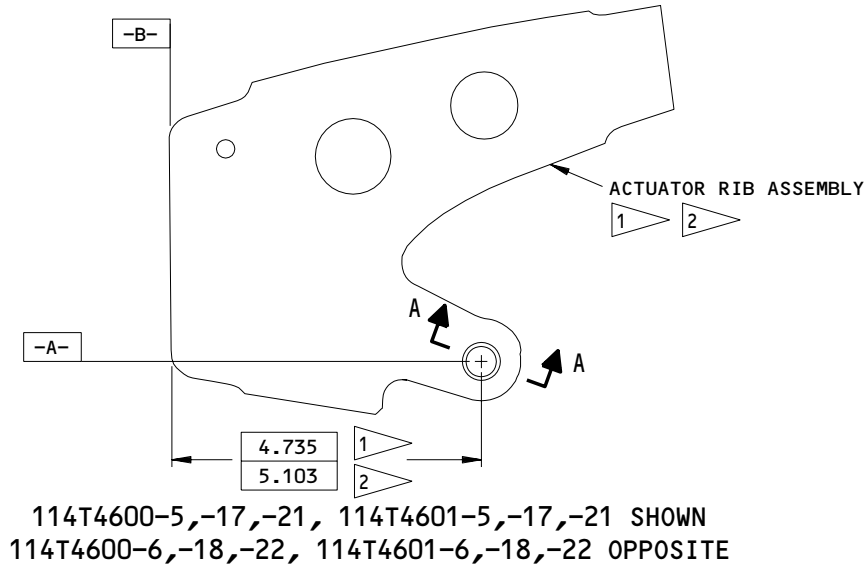
**57-43-41**

REPAIR 7-1

01.1

Page 601

Mar 01/04



- 1 IPL FIG. 2; 450  
IPL FIG. 3; 404
- 2 IPL FIG. 2; 488  
IPL FIG. 3; 448
- 3 IPL FIG. 2; 470,471,512,512A  
IPL FIG. 3; 430,472
- 4 IPL FIG. 2; 472,472B,473,514,514B,514C,  
IPL FIG. 3; 432,474
- 5 IPL FIG. 2; 484,526  
IPL FIG. 3; 444,486
- 6 FOR THE HOLE IN WHICH BUSHING  
(IPL FIG. 2; 472,514) IS INSTALLED (BUSHING  
WITHOUT RADIUS UNDERCUT), BREAK EDGES OF HOLE  
0.005-0.010 TO PREVENT INTERFERENCE WITH  
BUSHING FLANGE CORNER RADIUS

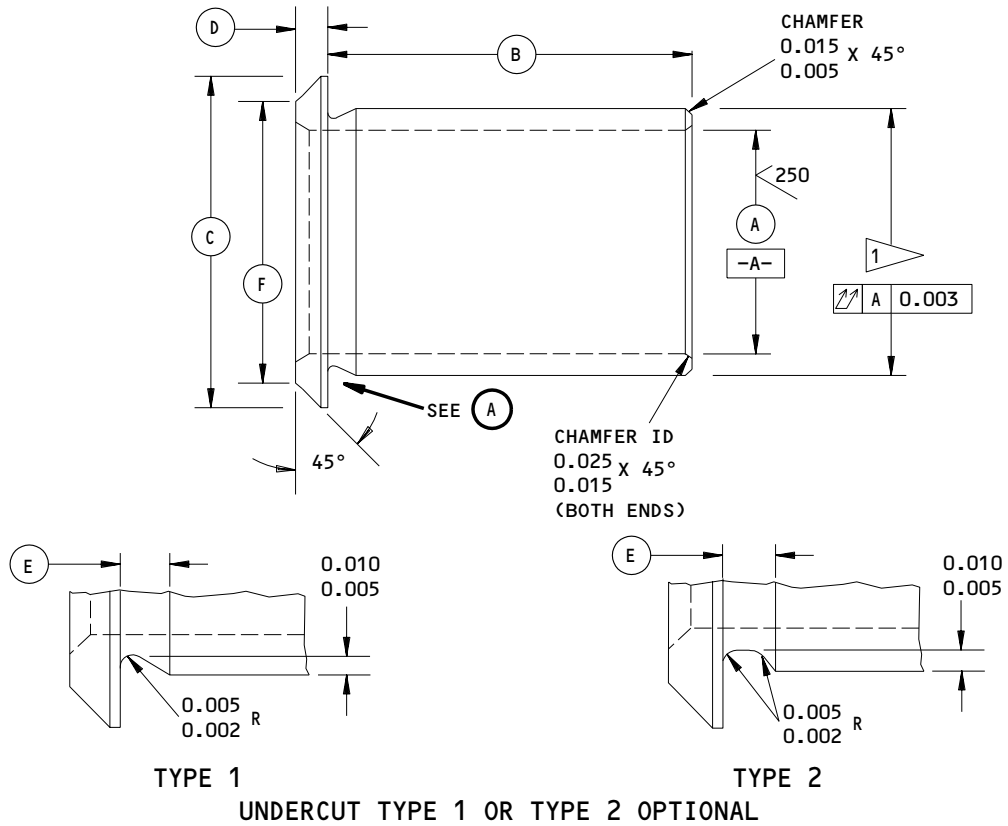
**REPAIR**  
 125/ ALL MACHINED SURFACES UNLESS SHOWN  
 DIFFERENTLY  
 SHOT PEEN:  
 0.0230-0.0550 SHOT SIZE  
 0.003-0.005 A INTENSITY  
 2.0 COVERAGE  
 MATERIAL: ALUMINUM ALLOY  
 ALL DIMENSIONS ARE IN INCHES

114T4600-5,-6,-17,-18,-21,-22  
 114T4601-5,-6,-17,-18,-21,-22  
 Actuator Rib Assembly Bushing Replacement  
 Figure 601

**57-43-41**

REPAIR 7-1  
 Page 602  
 Mar 01/04

01.1



(A)

ORIGINAL BUSHING NO. (REF)	(A)	(B)	(C)	(D)	(E)	(F)	INTERFERENCE
IPL FIG. 2, 470	0.428	0.150	0.690	0.065	0.030	0.590	0.0005-0.0017
IPL FIG. 2, 512	0.422	0.145	0.680	0.060	0.015	0.580	
IPL FIG. 2, 471	0.428	0.200	0.690	0.065	0.030	0.590	0.0005-0.0017
IPL FIG. 2, 512A	0.422	0.195	0.680	0.060	0.015	0.580	
IPL FIG. 3, 430	0.428	0.200	0.690	0.065	0.030	0.590	0.0005-0.0017
IPL FIG. 3, 472	0.422	0.195	0.680	0.060	0.015	0.580	

1 FINAL BUSHING OUTSIDE DIA EQUALS REPAIR DIA OF RIB PLUS INTERFERENCE

63 ALL MACHINED SURFACES UNLESS SHOWN DIFFERENTLY

ANGULAR TOLERANCE, ±0.50 DEG

MATERIAL: AL-NI-BR PER AMS 4640

FINISH: CADMIUM PLATE PER SOPM 20-42-05, TYPE 2, CLASS 2. PLATING BORE OPTIONAL

ALL DIMENSIONS ARE IN INCHES

DIMENSIONS APPLY AFTER PLATING

Oversize Bushing Details  
 Figure 602

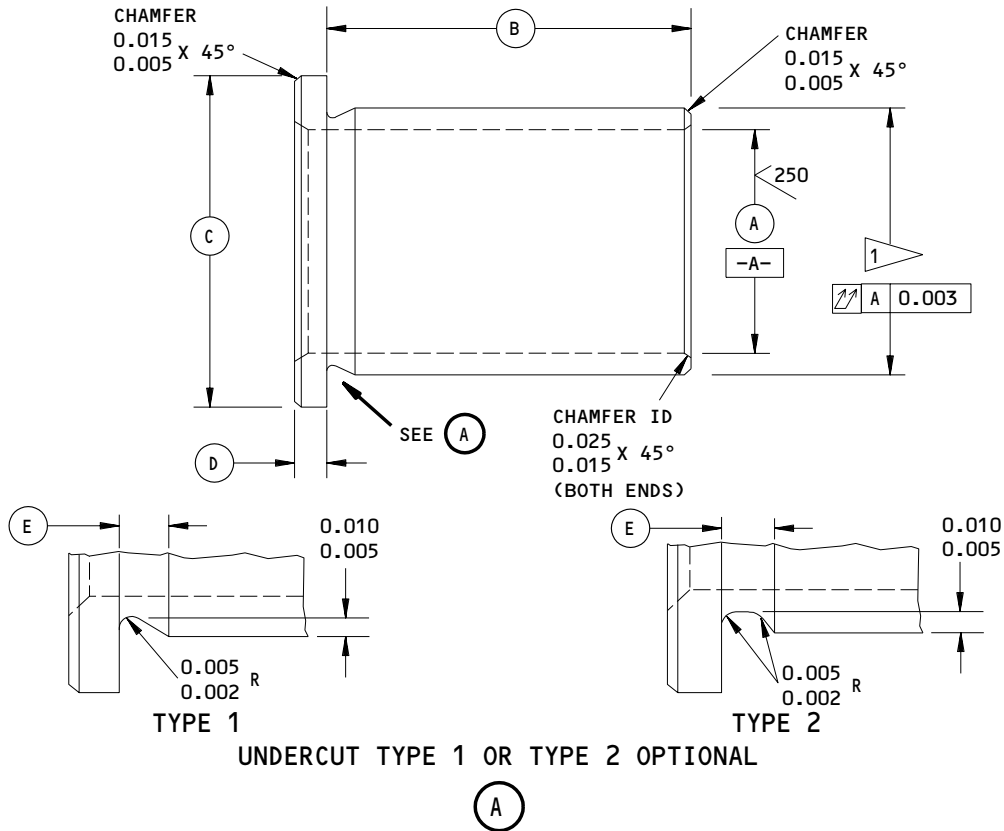
57-43-41

REPAIR 7-1

01.1

Page 603

Mar 01/04



ORIGINAL BUSHING NO. (REF)	(A)	(B)	(C)	(D)	(E)	INTERFERENCE
IPL FIG. 2, 472 IPL FIG. 2, 514	0.303 0.297	0.140 0.135	0.610 0.600	0.065 0.060	0.030 0.015	0.0003-0.0015
IPL FIG. 2, 472B IPL FIG. 2, 514B	0.303 0.297	0.190 0.185	0.610 0.600	0.115 0.110	0.030 0.015	0.0003-0.0015
IPL FIG. 2, 473 IPL FIG. 2, 514C	0.303 0.297	0.190 0.185	0.610 0.600	0.065 0.060	0.030 0.015	0.0003-0.0015
IPL FIG. 3, 432 IPL FIG. 3, 474	0.303 0.297	0.190 0.185	0.610 0.600	0.065 0.060	0.030 0.015	0.0003-0.0015

1 FINAL BUSHING OUTSIDE DIA EQUALS REPAIR DIA OF RIB PLUS INTERFERENCE

63 ALL MACHINED SURFACES UNLESS SHOWN DIFFERENTLY

ANGULAR TOLERANCE, ±0.50 DEG

MATERIAL: 15-5PH CRES, 180-200 KSI

FINISH: CADMIUM PLATE PER SOPM 20-42-05, TYPE 2, CLASS 2. PLATING BORE OPTIONAL

ALL DIMENSIONS ARE IN INCHES

DIMENSIONS APPLY AFTER PLATING

Oversize Bushing Details  
 Figure 603

**57-43-41**

REPAIR 7-1

01.1

Page 604

Mar 01/04

MISCELLANEOUS PARTS - REPAIR 8-1

1.pair of these parts is only replacement of the original finish. Refer to REPAIR-GENERAL for a list of applicable standard practices.

IPL FIG. & ITEM	MATERIAL	FINISH
<p><u>Fig. 1</u></p> <p>Structure Assembly            (1,1A,1B,1C,1D,5,            5A,5B,5C,5D)</p>	<p>--</p>	<p>Except for the access panels (114T4156-1,-2), the TE wedge assemblies (114T4111-series), the skins (114T4101-3,-4,-9,-10), the fairings (114T4120-1,-2), and the closure panels (114T4151-series), and except as noted in Fig. 601, put the following finish on the slat assembly:</p> <p>Before you install the seals onto the slat assembly, apply BMS 10-11, type 1 primer (F-14.995) and BMS 10-60, type 1 enamel (F-14.9813) to the slat assembly, in the operators color scheme.</p> <p>After you install the seals, apply BMS 10-60, type 1 enamel (F-14.9813), in the operators color scheme, to all unpainted seal retainers, boltheads, and washers.</p> <p>For detail refinish of the access panels, the TE wedge assemblies, the skins, the fairings, and the closure panels listed above, see the refinish information listed in this section. For refinish of these parts at the assembly level, see Fig. 601, and Table A.</p>

Refinish Details  
 Table 601 (Sheet 1)

**57-43-41**

REPAIR 8-1

01.1

Page 601

Mar 01/00

IPL FIG. & ITEM	MATERIAL	FINISH
<p><u>Fig. 1</u>             Structure Assembly            (1E,5E)</p>	<p>--</p>	<p>Except for the access panels (114T4156-1,-2), the TE wedge assemblies (114T4111-series), the skins (114T4101-3,-4), the fairings (114T4120-1,-2), and the closure panels (114T4151-series), and except as noted in Fig. 601, put the following finish on the slat assembly:</p> <p>Before you install the seals onto the slat assembly, apply BMS 10-79, type 2 primer and BMS 10-60, type 2 enamel (F-19.41) to the slat assembly, in the operators color scheme.</p> <p>After you install the seals, apply BMS 10-60, type 2 enamel (F-19.39) in the operators color scheme, to all unpainted seal retainers, boltheads, and washers.</p> <p>For detail refinish of the access panels, the TE wedge assemblies, the skins, the fairings, and the closure panels listed above, see the refinish information listed in this section. For refinish of these parts at the assembly level, see Fig. 601, and Table A.</p>

Refinish Details  
 Table 601 (Sheet 2)

**57-43-41**

REPAIR 8-1

01.1

Page 602

Mar 01/00



IPL FIG. & ITEM	MATERIAL	FINISH
<p><u>Fig. 1</u></p> <p>Structure Assembly            (1H,1J,1N,2X,2Y,3A,            3B,3C,3D,5H,5J,5N,            6X,6Y,7A,7B,7C,7D)</p>	<p>--</p>	<p>Except for the access panels (114T4156-1,-2), the TE wedge assemblies (114T4111-series), the skins (114T4101-3,-4,-9,-10), the fairings (114T4120,-1,-2,-7,-8), and the closure panels (114T4151-series), and except and noted in Fig. 601, put the following finish on the slat assembly:</p> <p>Before you install the seals onto the slat assembly, apply BMS 10-79, type 3 primer (F-19.47) and BMS 10-60, type 2 enamel (F-19.39) to the slat assembly, the operators color scheme.</p> <p>After you install the seals, apply BMS 10-79 type 3 primer (F-19.47) and BMS 10-60 type 2 enamel (F-19.39), in the operators color scheme, to all unpainted seal retainers, boltheads, and washers.</p> <p>For detail refinish of the access panels, the TE wedge assemblies, the skins, the fairings, and the closure panels listed above, see the refinish information listed in this section. For refinish of these parts at the assembly level, see Fig. 601, and Table A.</p>

Refinish Details  
 Table 601 (Sheet 3)

**57-43-41**

REPAIR 8-1

01.1

Page 603

Nov 01/00

IPL FIG. & ITEM	MATERIAL	FINISH
<p><u>Fig. 1</u></p> <p>Structure Assembly            (1F,1L,1M,5F,5L,            5M)</p>	<p>--</p>	<p>Except for the access panels (114T4156-1,-2), the TE wedge assemblies (114T4111-series), the skins (114T4101-3,-4), the fairings (114T4120,-1,-2), and the closure panels (114T4151-series), and except as noted in Fig. 601, put the following finish on the slat assembly:</p> <p>Before you install the seals onto the slat assembly, apply BMS 10-79, type 3 primer (F-19.47) and BMS 10-60, type 2 enamel (F-19.39) to the slat assembly, the operators color scheme.</p> <p>After you install the seals, apply BMS 10-60, type 2 enamel (F-19.39), in the operators color scheme, to all unpainted seal retainers, boltheads, and washers.</p> <p>For detail refinish of the access panels, the TE wedge assemblies, the skins, the fairings, and the closure panels listed above, see the refinish information listed in this section. For refinish of these parts at the assembly level, see Fig. 601, and Table A.</p>

Refinish Details  
 Table 601 (Sheet 4)

**57-43-41**

REPAIR 8-1

01.1

Page 604

Mar 01/00

IPL FIG. & ITEM	MATERIAL	FINISH
<u>Fig. 2</u>		
Skin (114T4101-3, -4,-9,-10)	Al alloy	See Fig. 601.
Closure panels (910, 912, 914, 916)	Composite	See Fig. 602.
Retainers (6,8,9, 10,12,14,16)	Al alloy	Chromic acid anodize and apply BMS 10-11, type 1 primer (F-18.13) and BMS 10-60, BAC707 gray gloss enamel (SRF-14.9813) all over including surfaces of holes. BMS 10-60 enamel is optional in holes.
Retainers (40, 40A, 42,42A,44,44A,46, 46A,72)	Al alloy	Chemical treat and apply BMS 10-11, type 1 primer (F-18.06) and BMS 10-60, BAC707 gray gloss enamel (SRF-14.9813) all over, including in holes.
Retainers (58,60), stiffeners (141, 171,191,229,249, 279,299,323), washers (388B,389, 390A), Rib (121G, 121J,121P,121Q,722, 724,726,728, 736P, 736Q) Rib assembly (738,740,753), beam assembly structural details (758,760)	Al alloy	Chromic acid anodize and apply BMS 10-11, type 1 primer (F-18.13) all over.
Fairings (92,94)	Al alloy	Convex surface: Chromic acid anodize (F-17.04). Concave surface: Chromic acid anodize (F-17.04), and apply BMS 10-11, type 1 primer (F-20.02). Also see Fig. 601.

Refinish Details  
 Table 601 (Sheet 5)

IPL FIG. & ITEM	MATERIAL	FINISH
<u>Fig. 2</u> Panels (110,112, 126,128,160,162, 178,180,212,214, 236,238,268,270, 284,286,312,314), Strap (198), Fitting (444,446), door (766), doubler (768)	Al alloy	Chemical treat and apply BMS 10-11, type 1 primer (F-18.06) all over.
Fillers (156,206, 260,469,549,635)	Al alloy	Chemical treat or chromic acid anodize and apply BMS 10-11, type 1 primer (F-18.06, F-18.13) all over.
Fitting (194A)	15-5 PH CRES 180-200 KSI	Cadmium plate and apply 10-11, type 1 primer (F-16.01) all over.
Access panel assemblies (428, 430)	Al alloy	Exterior surface of skin: Chemical treat (F-17.40). Interior surface of skin: Chemical treat (F-17.40) and apply BMS 10-11, type 1 primer (F-20.02) all over.
Plate (840,842, 890,892)	Al-Bronze alloy	Cadmium plate and apply BMS 10-11, type 1 primer (F-16.01) all over.
TE wedge assemblies (412A, 413, 413A, 414A, 415, 415A)	Al alloy	Chemical treat (F-17.40) the exterior skin surfaces.
TE wedge assemblies (412B, 414B)	Al alloy	Phosphoric acid anodize (F-20.31) the exterior skin surfaces.
TE wedge assemblies (413B, 415B)	Al alloy	Phosphoric acid anodize (F-20.31) and apply BMS5-137, type 1 adhesive primer (F-20.47) to the exterior skin surfaces.

Refinish Details  
Table 601 (Sheet 6)

**57-43-41**

REPAIR 8-1

01.1

Page 606

Mar 01/00

IPL FIG. & ITEM	MATERIAL	FINISH
<u>Fig. 3</u>		
Skin (114T4101-3, -4,-9,-10)	Al alloy	See Fig. 601.
Closure panels (720, 722, 724, 726)	Composite	See Fig. 602.
Retainers (17)	Al alloy	Chromic acid anodize and apply BMS 10-11, type 1 primer (F-18.13) and apply BMS 10-60, BAC707 gray gloss enamel (SRF-14.9813) all over including surfaces of holes. BMS 10-60 enamel is optional in holes.
Retainers (40,42, 44,46,72)	Al alloy	Chemical treat and apply BMS 10-11, type 1 primer (F-18.06) and BMS 10-60, BAC707 gray gloss enamel (SRF-14.9813) all over, including holes.
Retainers (58,60), Stiffeners (141, 171,191,221,241, 267,287,311), Washer (319), Ribs (635,643,659), Beam assembly structural details (666,668)	Al alloy	Chromic acid anodize, and apply BMS 10-11, type 1 primer (F-18.13) all over.
Fairings (92,94)	Al alloy	Convex surface: Chromic acid anodize (F-17.04). Concave surface: Chromic acid anodize (F-17.04), and apply BMS 10-11, type 1 primer (F-20.02).

Refinish Details  
 Table 601 (Sheet 7)

**57-43-41**

REPAIR 8-1

01.1

Page 607

Mar 01/00

IPL FIG. & ITEM	MATERIAL	FINISH
<u>Fig. 3</u> Panels (112,114, 126,128,160A,162A, 178,180,208,210, 228,230,256,258, 272,274,302,304), Fitting (398,400), Door (674), Doublers (676,678)	Al alloy	Chemically treat and apply BMS 10-11, type 1 primer (F-18.06) all over.
Fitting (194)	15-5 PH CRES 180-200 ksi	Cadmium plate and apply BMS 10-11, type 1 primer (F-16.01) all over.
Access panel assemblies (382, 384)	Al alloy	Exterior surface of skin: Chemical treat (F-17.40). Interior surface of skin: Chemical treat (F-17.40) and apply BMS 10-11, type 1 primer (F-20.02) all over. (F-20.02) all over.
Plate (616A,616B)	A1-Bronze alloy	Cadmium plate and apply BMS 10-11, type 1 primer (F-16.01) all over.
TE wedge assemblies (352, 352A, 354, 354A)	Al alloy	Chemical treat (F-17.40) the exterior skin surfaces.
TE wedge assemblies (352B, 352C, 354B, 354C)	Al alloy	Phosphoric acid anodize (F-20.31) the exterior skin surfaces.
TE wedge assemblies (352D, 354D)	Al alloy	Phosphoric acid anodize (F-20.31) and apply BMS5-137, type 1 adhesive primer (F-20.47) to the exterior skin surfaces.

Refinish Details  
Table 601 (Sheet 8)

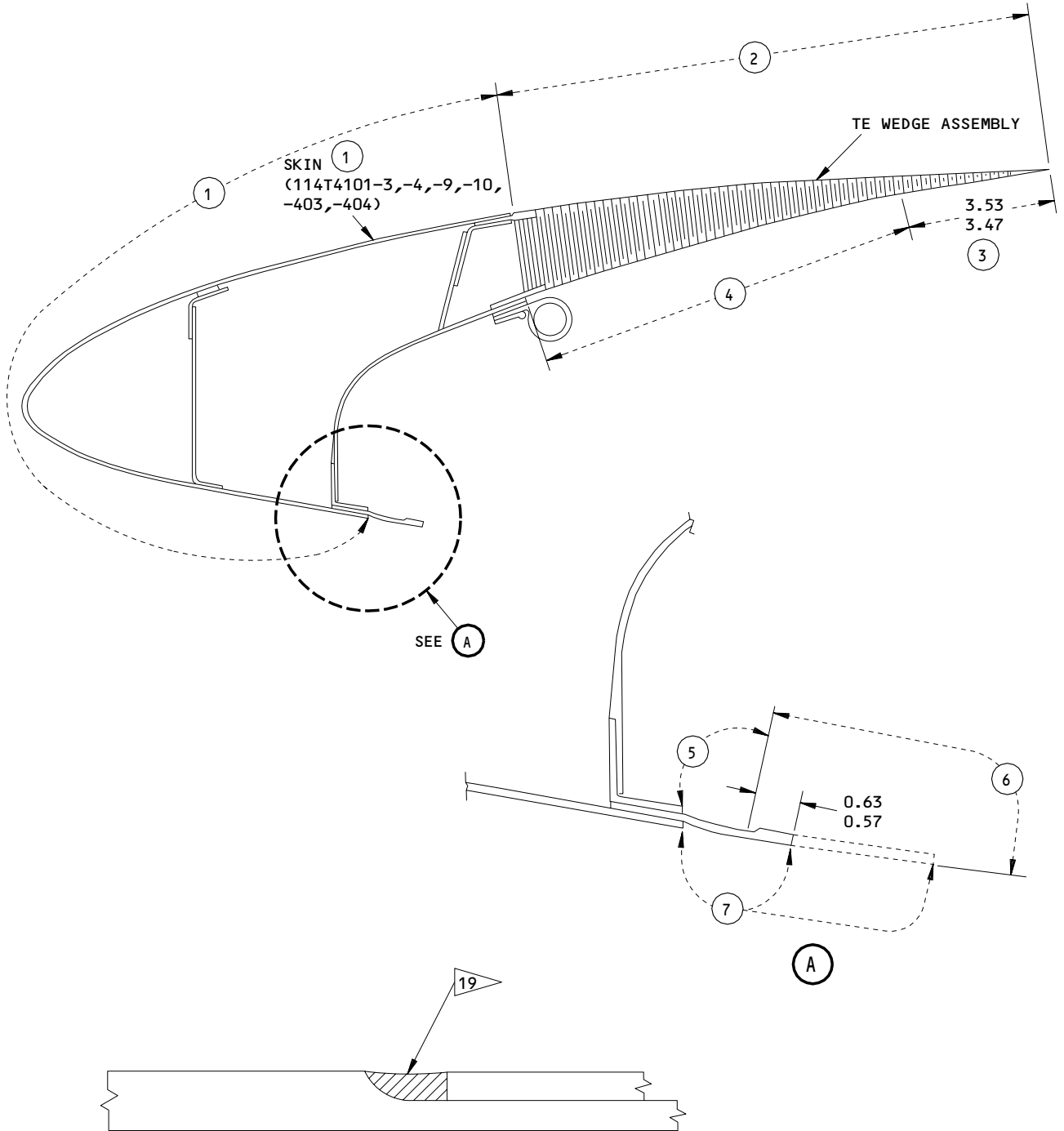
**57-43-41**

REPAIR 8-1

01.1

Page 608

Mar 01/00



TYPICAL SKIN JOINT

Slat Structure Assembly Refinish  
 Figure 601 (Sheet 1)

**57-43-41**

REPAIR 8-1

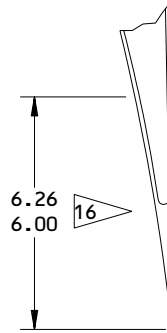
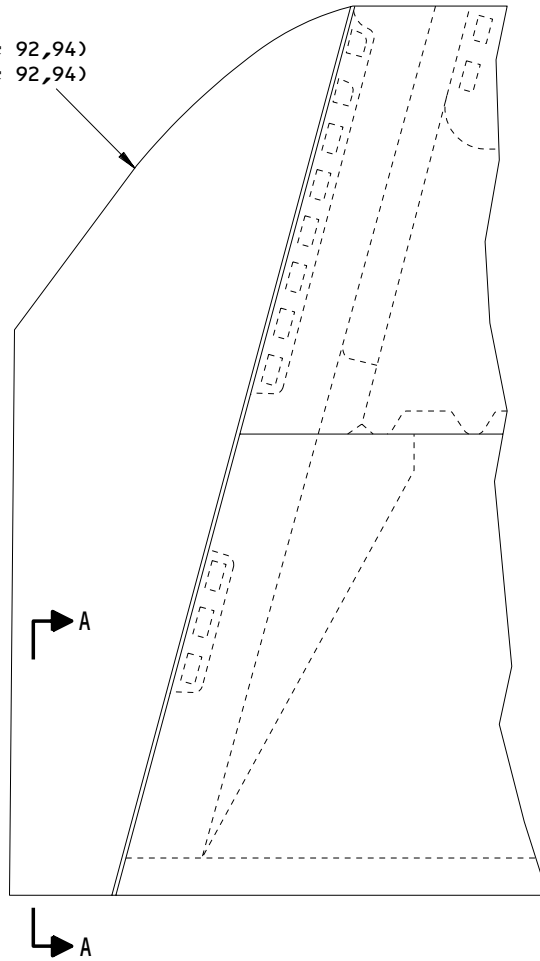
Page 609

Nov 01/00

01.1

FAIRING  
 (IPL FIG. 2; 92,94)  
 (IPL FIG. 3; 92,94)

8



A-A

Slat Structure Assembly Refinish  
 Figure 601 (Sheet 2)

**57-43-41**

REPAIR 8-1  
 Page 610  
 Mar 01/00

01.1

LO4018



PART NUMBER	AREA OF REFINISH (SEE FIG. 601)							
	①	②	③	④	⑤	⑥	⑦	⑧
114T4101-15A,-15B, -16A,-16B,-25A, -26A,-31SP,-32SP, -35,-36	1	3 4	3 6	8	10	12	13	5
114T4101-15C,-16C	1	3 4	3 7	9	10	12	13	5
114T4101-27,-28	1	3 4	3 6	8	10	12	14	17
114T4101-33,-34	1	3 4	3 6	8	11	12	13	5
114T4101-39 THRU -44,-47,-48,-51G, -52G,-53G,-54G, -57G,-58G,-59G, -60G,-401G,-402G	1	3 5	3 6	8	10	12	15	5
114T4101-45,-46, -51K,-52K,-53K,-54K	2	3 5	3 6	8	10	12	15	5
114T4101-29,-30	1	3 4	3 6	8	18	12	14	18

TABLE A

**NOTE:** IF NECESSARY, FOR 015T1507-XXX PART NUMBER ASSEMBLIES, SEE SB 767-57A0057 TO DETERMINE THE ORIGINAL ASSEMBLY NUMBER, THEN REFINISH AS SHOWN IN FIG. 601

Slat Structure Assembly Refinish  
 Figure 601 (Sheet 3)

**57-43-41**

REPAIR 8-1

Page 611

Nov 01/00

01.1

- 1 CHEMICAL TREAT (F-17.40), THEN MECHANICALLY POLISH
- 2 APPLY AZTEC 649 PROTECTIVE FINISH AS SPECIFIED BY SOPM 20-44-02
- 3 IF NECESSARY, SEE WEDGE ASSEMBLY REFINISH INFORMATION FOR TREATMENT OF UPPER AND LOWER METAL SKINS
- 4 CHEMICAL TREAT (F-17.10) ANY UNTREATED AREAS OF ALUMINUM OR ALUMINUM RIVET HEADS
- 5 CHEMICAL TREAT (F-17.10) ANY UNTREATED AREAS OF ALUMINUM OR ALUMINUM RIVET HEADS, THEN APPLY BMS 10-79, TYPE 3 PRIMER (F-19.47) AND BMS 10-60, TYPE 2 ENAMEL (F-19.39) IN THE OPERATORS COLOR SCHEME
- 6 CHEMICAL TREAT (F-17.10) ANY UNTREATED AREAS OF ALUMINUM OR ALUMINUM RIVET HEADS, THEN APPLY BMS 10-79, TYPE 3 PRIMER (F-19.47) AND TYPE 27 ABRASION RESISTANT FINISH IN THE OPERATORS COLOR SCHEME (F-14.9624 OR F-14.9625) TO A THICKNESS OF 0.005-0.010 INCH
- 7 CHEMICAL TREAT (F-17.10) ANY UNTREATED AREAS OF ALUMINUM OR ALUMINUM RIVET HEADS, THEN APPLY BMS 10-11, TYPE 1 PRIMER (F-20.02) AND TYPE 27 ABRASION RESISTANT FINISH IN THE OPERATORS COLOR SCHEME (F-14.9624 OR F-14.9625) TO A THICKNESS OF 0.005-0.010 INCH
- 8 CHEMICAL TREAT (F-17.10) ANY UNTREATED AREAS OF ALUMINUM OR ALUMINUM RIVET HEADS, THEN APPLY SCHEME (F-14.9624 OR F-14.9625) TO A THICKNESS OF 0.002-0.005 INCH BMS 10-79, TYPE 1 PRIMER (F-19.47) AND TYPE 27 ABRASION RESISTANT FINISH IN THE OPERATORS COLOR
- 9 CHEMICAL TREAT (F-17.10) ANY UNTREATED AREAS OF ALUMINUM OR ALUMINUM RIVET HEADS, THEN APPLY BMS 10-11, TYPE 1 PRIMER (F-20.02) AND TYPE 27 ABRASION RESISTANT FINISH IN THE OPERATORS COLOR SCHEME (F-14.9624 OR F-14.9625) TO A THICKNESS OF 0.002-0.005 INCH
- 10 APPLY BMS 10-79, TYPE 3 PRIMER (F-19.47) AND BMS 10-60, TYPE 2 ENAMEL (F-19.39) IN THE OPERATORS COLOR SCHEME
- 11 APPLY BMS 10-79, TYPE 2 PRIMER AND BMS 10-60, TYPE 2 ENAMEL (F-19.41) IN THE OPERATORS COLOR SCHEME
- 12 APPLY BMS 10-79, TYPE 3 PRIMER (F-19.47) AND TYPE 27 ABRASION RESISTANT FINISH IN THE OPERATORS COLOR SCHEME (F-14.9624 OR F-14.9625) TO A THICKNESS OF 0.005-0.010 INCH
- 13 APPLY BMS 10-60, TYPE 2 ENAMEL (F-19.39) IN THE OPERATORS COLOR SCHEME
- 14 NO FINISH ON THIS AREA
- 15 APPLY BMS 10-79, TYPE 3 PRIMER (F-19.47) AND BMS 10-60, TYPE 2 ENAMEL (F-19.39) IN THE OPERATORS COLOR SCHEME
- 16 CHEMICAL TREAT (F-17.10) ANY UNTREATED AREAS OF ALUMINUM OR ALUMINUM RIVET HEADS, THEN APPLY BMS 10-79, TYPE 3 PRIMER (F-19.47) AND TYPE 27 ABRASION RESISTANT FINISH IN THE OPERATORS COLOR SCHEME, (F-14.9624 OR F-14.9625)
- 17 CHEMICAL TREAT (F-17.10) ANY UNTREATED AREAS OF ALUMINUM OR ALUMINUM RIVET HEADS, THEN APPLY BMS 10-79, TYPE 3 PRIMER (F-19.47) AND BMS 10-60, TYPE 2 ENAMEL (F-19.39) IN THE OPERATORS COLOR SCHEME, EXCEPT DO NOT APPLY ENAMEL (F-19.39) TO THE FORWARD EXTERNAL SURFACE OF THE FAIRING
- 18 CHEMICAL TREAT (F-17.10) ANY UNTREATED AREAS OF ALUMINUM OR ALUMINUM RIVET HEADS, THEN APPLY BMS 10-79, TYPE 3 PRIMER (F-19.47)
- 19 BEFORE YOU APPLY PROTECTIVE FINISHES, FILL ALL SKIN JOINTS WITH AERODYNAMIC SMOOTHER BMS 5-95 AS SPECIFIED BY SOPM 20-50-11, METHOD 2. AERO SMOOTHER MUST BE FLUSH OR BELOW THE SKIN SURFACE. REMOVE EXCESS AS SPECIFIED BY SOPM 20-50-11

Slat Structure Assembly Refinish  
Figure 601 (Sheet 4)

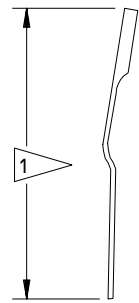
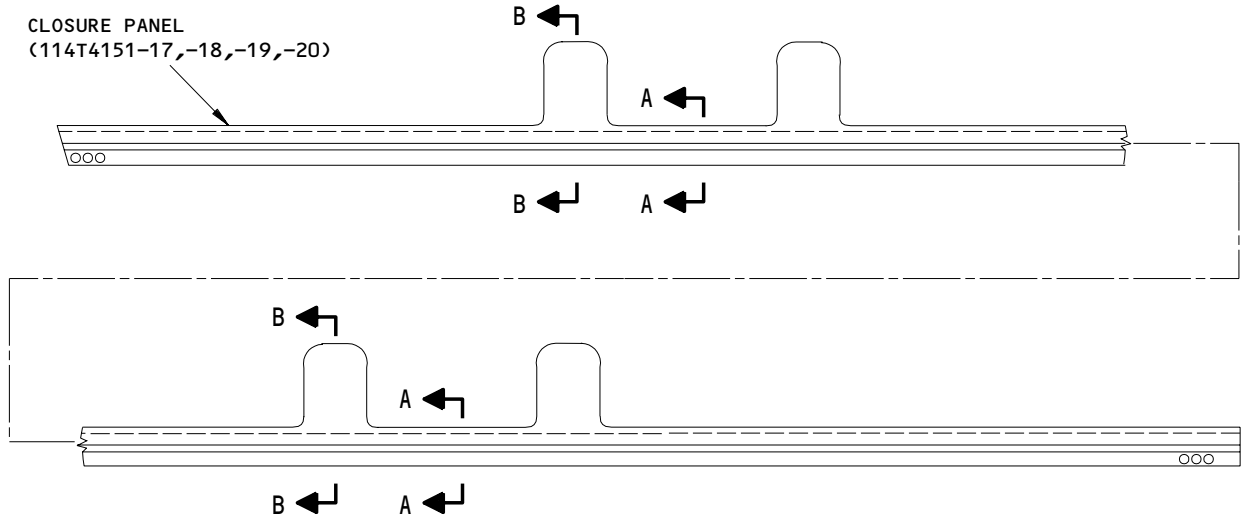
57-43-41

REPAIR 8-1

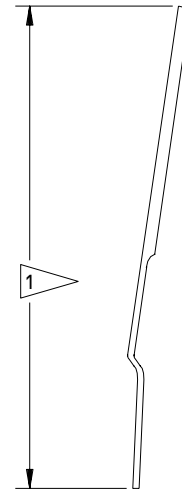
01.1

Page 612

Nov 01/00



A-A  
 (TYPICAL)



B-B  
 (TYPICAL)

**REFINISH**

PREPARE THE SURFACE (SRF-14.672) THEN APPLY COATING PER 1

1 APPLY BMS 10-21, CONDUCTIVE COATING (F-14.685), THEN APPLY BMS 10-79, TYPE 2 PRIMER (F-19.46)

Closure Panel Refinish  
 Figure 602

**57-43-41**

REPAIR 8-1

Page 613

Mar 01/00

01.1

PIVOT FITTING ASSEMBLY – REPAIR 9-1

114T4186-1, -2  
114T4187-1, -2

**NOTE:** Refer to REPAIR – GENERAL for a list of applicable standard practices.

1. Bushing Replacement (IPL Fig. 2; 554A, 554H, 594A, 594H)

- A. Remove bushings.
- B. Check the hole for the bushing for damage or corrosion. Repair, if necessary, per par. 2.
- C. Install bushings per 20-50-03, except install bushings with wet BMS 5-95 sealant.
- D. Machine bushings per Fig. 601.
- E. Fillet seal the flange of the bushing with BMS 5-95 sealant.

2. Repair

- A. Repair hole for bushing (554A, 554H, 594A, 594H).
  - (1) Machine fitting (554N, 594N) to the repair limit to remove discrepancies per Fig. 601.
  - (2) Penetrant check bores per 20-20-02.
  - (3) Shot-peen bores per 20-10-03 and Fig. 601.
  - (4) Refinish per par. 3.
  - (5) Fabricate oversize bushings per Fig. 602 and 603.

3. Refinish

- A. Fitting (554N, 594N) -- Chromic acid anodize (type 1) (F-17.04) and apply one coat primer, BMS 10-11, type 1 (F-20.02) except omit primer from bushings holes.

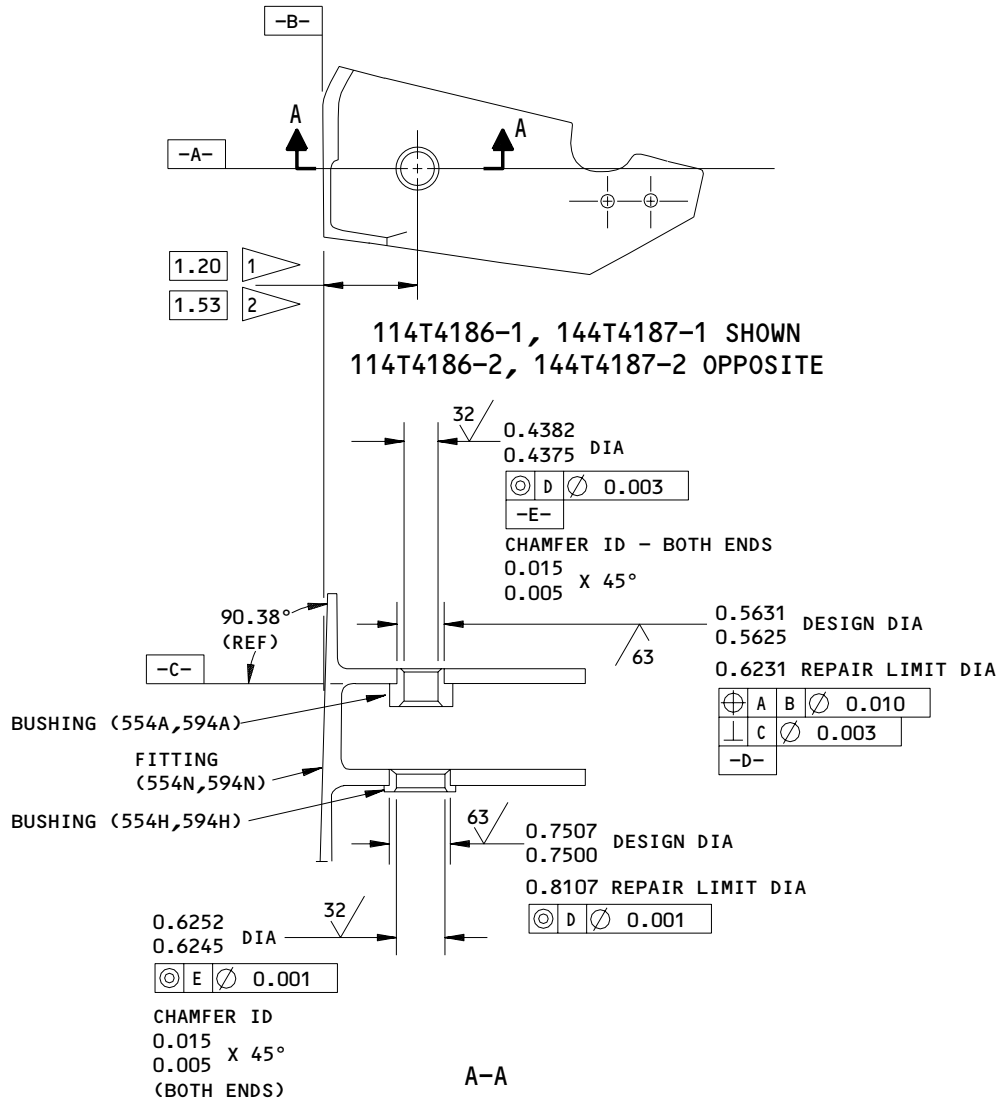
**57-43-41**

REPAIR 9-1

01.1

Page 601

Mar 01/04



**REPAIR**

125/ ALL MACHINED SURFACES UNLESS SHOWN DIFFERENTLY

SHOT PEEN (MANUAL PEEN OPTIONAL):  
 0.0230-0.055 SHOT SIZE  
 0.006 A INTENSITY  
 2.0 COVERAGE

MATERIAL: ALUMINUM ALLOY

ITEM NUMBERS REFER TO IPL FIG. 2

ALL DIMENSIONS ARE IN INCHES

- 1 FITTING ASSEMBLY (553A)
- 2 FITTING ASSEMBLY (593A)

114T4186-1,-2  
 114T4187-1,-2  
**Main Track Rib Pivot Fitting Assembly Bushing Replacement**  
**Figure 601**

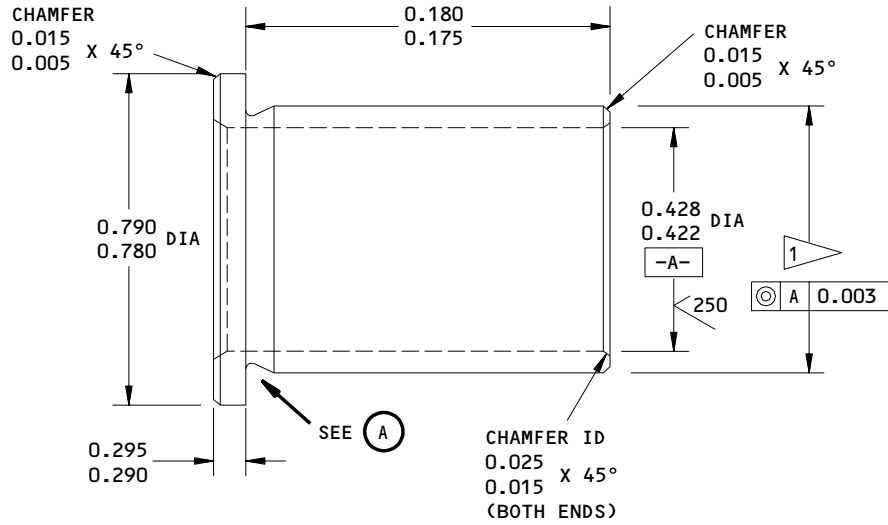
**57-43-41**

REPAIR 9-1

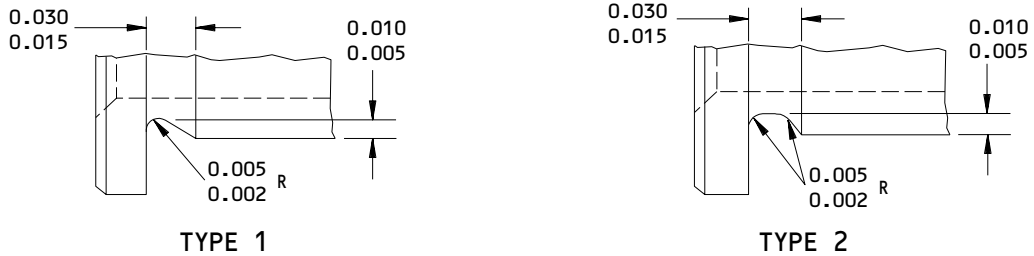
01.1

Page 602

Mar 01/04



REPLACEMENT BUSHING FOR BUSHING (554A,594A)



UNDERCUT TYPE 1 OR TYPE 2 OPTIONAL



1 FINAL BUSHING OUTSIDE DIA EQUALS REPAIR DIA OF FITTING PLUS 0.0005-0.0017 INTERFERENCE

63 ALL MACHINED SURFACES UNLESS SHOWN DIFFERENTLY

ANGULAR TOLERANCE, ±0.50 DEG

CHECK: MAGNETIC PARTICLE PER SOPM 20-20-01, CLASS C, AFTER MACHINING

MATERIAL: 15-5PH CRES, 180-200 KSI

FINISH: CADMIUM PLATE (F-15.06)

ITEM NUMBERS REFER TO IPL FIG. 2

ALL DIMENSIONS ARE IN INCHES

DIMENSIONS APPLY AFTER PLATING

Oversize Bushing Details  
 Figure 602

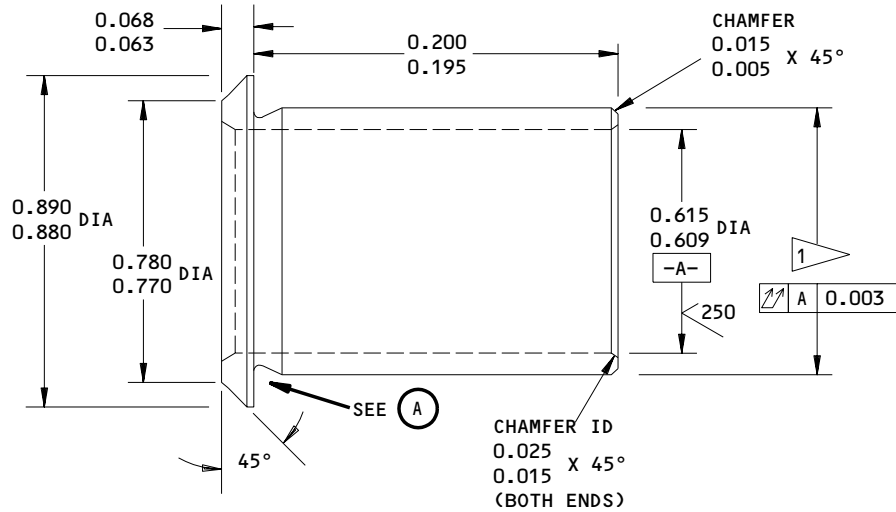
57-43-41

REPAIR 9-1

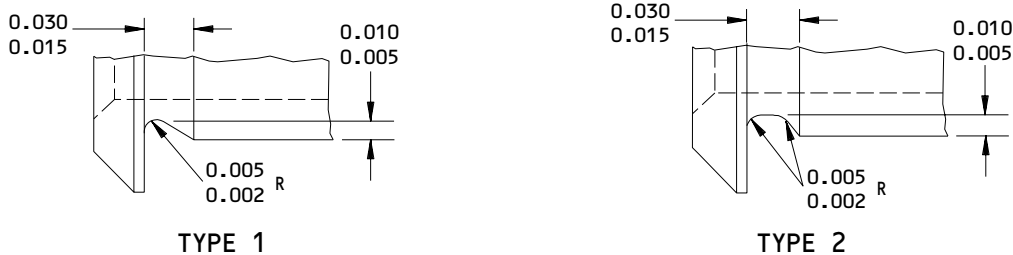
01.1

Page 603

Mar 01/04



**REPLACEMENT BUSHING FOR BUSHING (554H,594H)**



**UNDERCUT TYPE 1 OR TYPE 2 OPTIONAL**

(A)

1 FINAL BUSHING OUTSIDE DIA EQUALS REPAIR DIA OF FITTING PLUS 0.0005-0.0019 INTERFERENCE

63/ ALL MACHINED SURFACES UNLESS SHOWN DIFFERENTLY

ANGULAR TOLERANCE, ±0.50 DEG

MATERIAL: AL-NI-BR PER AMS 4640

FINISH: CADMIUM PLATE PER SOPM 20-42-05, TYPE 2, CLASS 2. PLATING IN BORE OPTIONAL

ITEM NUMBERS REFR TO IPL FIG. 2

ALL DIMENSIONS ARE IN INCHES

DIMENSIONS APPLY AFTER PLATING

**Oversize Bushing Details**  
**Figure 603**

**57-43-41**

REPAIR 9-1

01.1

Page 604

Mar 01/04

OUTBOARD SLAT STRUCTURE ASSEMBLY NO. 1 AND 12 - REPAIR 11-1

114T4101-15SP, -16SP, -25SP, 26SP, -27 THRU -30, -31SP, -31SP  
-33 THRU -36, -39 THRU -48, -51SP THRU -54SP, -57SP,  
-58SP, -401SP, -402SP

NOTE: Refer to REPAIR-GENERAL for a list of applicable standard practices.

1. Wedge Assembly (412A, 413, 414A, 415, IPL Fig. 2), (352, 354, IPL Fig. 3) Replacement (Fig. 601)

NOTE: Use wedge alignment tool assembly A57003 at OSS 1027.424 and 1085.820. The OSS locations are shown in Fig. 602.

A. Use plywood or an equivalent material to make a holding fixture to hold the outboard slat structure assembly. The 757 fixture can be used with small changes.

B. Put the slat structure assembly (1, 2, 3, 5, 6, 7; IPL Fig. 1) in the fixture to prevent the slat structure assembly from movement during the repair.

C. Install The Wedge Alignment Tool Assembly

- (1) Put the wedge alignment tool assembly on the auxiliary arm/rib assembly (610, 612, 614, 616, IPL Fig. 2), (578A, 580A, 582A, 584A, IPL Fig. 3) at OSS 1085.820.

NOTE: Make sure the wedge alignment tool assembly is used at the correct OSS location shown in Fig. 602.

- (2) Put the ball-lock pin thru the bushing hole at the end of the auxiliary arm assembly with the dowel pin on the auxiliary arm.

- (3) Add shim blocks between the auxiliary arm forks to not let them bend during the next step. Shim blocks are included in the wedge alignment tool assembly kit.

- (4) Use C-clamps to hold the wedge alignment tool assembly to the auxiliary arm. Install the C-clamps between the contour locators.

- (5) Do steps 1.C.(1) thru (4) again for the other auxiliary arm/rib assembly at OSS 1027.424.

NOTE: The contour locations are for reference only, to help you hold the wedge.

- (6) Adjust the two contour locators on each wedge alignment tool assembly to the contour of the slat. Do not move or bend the wedge assembly during this procedure. Tighten the knobs.

**57-43-41**

REPAIR 11-1

01.1

Page 601

Mar 01/00



- (7) Adjust the trailing edge locator on each wedge alignment tool assembly to the trailing edge of the wedge assembly. Do not move or bend the wedge assembly during this procedure. Tighten the knobs.

#### D. Remove Wedge Alignment Tool Assembly

- (1) Tag the wedge alignment tool assemblies to show the OSS locations.

**CAUTION:** THE WEDGE ALIGNMENT TOOL ASSEMBLIES WILL BE USED TO HELP GET THE CORRECT LOCATION FOR THE NEW WEDGE ASSEMBLY. MAKE SURE THAT THE KNOBS ARE TIGHT. DO NOT LOOSEN THE KNOBS OR MOVE THE TRAILING EDGE LOCATORS DURING THE FOLLOWING STEPS.

- (2) Loosen and remove the C-clamps and the shim blocks.
- (3) Remove the ball-lock pins from the bushing holes in the auxiliary arms.
- (4) Remove the wedge alignment tool assemblies.

#### E. Remove The Damaged Wedge Assembly

**NOTE:** Make a note of the location of parts as you remove them to help during assembly.

- (1) Remove the seal retainers (6, 8, 10, 12, 14, 16, IPL Fig. 2), (17, IPL Fig. 3) and bulb seals (18, 20, 22, 24, 26, 28, IPL Fig. 2 and 3), (18, IPL Fig. 3) by removing bolts (4, IPL Fig. 2 and 3) and washers (5, IPL Fig. 2 and 3).
- (2) Make note of the locations of the cove panels (110, 112, 126, 126G, 128, 128G, 160, 160G, 162, 162G, 178, 180, 212, 214, 236, 238, 268, 268G, 270, 270G, 284, 284G, 286, 286G, 312, 314, IPL Fig. 2), (112, 114, 126A, 128A, 160A, 162A, 178, 180, 208, 210, 228, 230, 256, 258, 272A, 274A, 302, 304, IPL Fig. 3), stiffeners (141, 171, 191, 229, 249, 279, IPL Fig. 2), (141, 171, 191, 221, 241, 267, 287, 311, IPL Fig. 3) and fasteners to help during assembly.
- (3) Remove all the fasteners along the lower and upper surfaces of the wedge assembly.
- (4) Remove cove panels and stiffeners. Removal of some attaching parts could be necessary to let you remove the cove panels.

**NOTE:** Some stiffeners are attached to the back of the cove panels. Removal of these from the cove panels is not necessary.

- (5) Remove the sealant from the gap between the leading edge skin and the wedge assembly.

**57-43-41**

REPAIR 11-1

01.1

Page 602

Mar 01/00

- (6) Lift and remove the wedge assembly from the slat. To help get it out, you can gently move it back and forth. Keep the damaged wedge assembly as a guide for nutplate replacement.
- (7) Remove the shims between the lower surface of the wedge assembly and the slat ribs. Make a note of the shim locations. Some shims can be used again.

F. Prepare to Install the New Wedge Assembly

- (1) Prepare the surface of the slat structure assembly.
- (2) Put the new wedge assembly in position on the slat structure assembly. Align the ends of the wedge assembly with the ends of the slat structure assembly.

**CAUTION:** DO NOT MOVE OR CHANGE THE POSITION OF THE TRAILING EDGE LOCATORS ON THE WEDGE ALIGNMENT TOOL ASSEMBLIES.

- (3) Install the tagged wedge alignment tool assemblies on the applicable auxiliary arms. (Refer to step 1.C.)

**CAUTION:** WHEN YOU USE CLAMPS, DO NOT APPLY TOO MUCH PRESSURE OR YOU COULD PUT DENTS ON THE NEW WEDGE ASSEMBLY.

- (4) Apply pressure to keep the wedge assembly against the trailing edge locators. Adjust the position of the wedge assembly to the wedge tip location dimensions and to the allowable short fastener hole dimensions as shown in Fig. 602. When you use clamps, use wood blocks in them to prevent damage to the upper surface of the wedge assembly. Use the contour locators to help hold the wedge in the correct position.
- (5) Measure shim gaps between ribs and the lower chord of the new wedge assembly. Make a note of the shim thickness and location.

**NOTE:** No shims are permitted between the upper chord of wedge assembly and the leading edge skin of the slat structure assembly.

- (6) Remove the wedge alignment tool assemblies. (Refer to step 1.D.)
- (7) Remove the wedge assembly.

**57-43-41**

REPAIR 11-1

01.1

Page 603

Nov 01/01

- (8) Install the BACS40R\*C\*F shims on the ribs with wet or dry BMS 10-11, type 1 primer mixed per SOPM 20-41-02 and F-20.05. If necessary, remove layers from the shims to get the correct thickness measured in step 1.F.(5). Maximum unshimmed gap is 0.010 inch.
- (9) Install the tagged wedge alignment tool assemblies on the applicable auxiliary arm assemblies. (Refer to step 1.C. Install The Wedge Alignment Tool Assembly.)
- (10) Put the new wedge assembly in position on the slat structure assembly. Align the ends of the wedge assembly with the ends of the slat structure assembly.
- (11) Apply pressure to keep the wedge assembly against the trailing edge locators during the following steps. When you use clamps, use wood blocks in them to prevent damage to the upper surface of the wedge assembly.
- (12) Drill new holes along the upper chord of the wedge assembly to agree with the holes of the leading edge skin of the slat. Start in the middle and go toward the ends.
- (13) Install a sufficient number of temporary fasteners to hold the wedge assembly in position.
- (14) Install cove panels and stiffeners on the slat structure assembly with a sufficient number of screws and temporary fasteners to hold them in position.
- (15) Drill new holes along the lower chord of the wedge assembly to agree with the holes of the cove panels. Start in the middle and go toward the ends.
- (16) Remove the wedge alignment tool assemblies. (Refer to step 1.D.)
- (17) Remove all temporary fasteners.
- (18) Remove the cove panels and stiffeners.
- (19) Remove the wedge assembly from the slat structure assembly. To help get it out, you can gently move it back and forth.
- (20) Install The Nutplates On The New Wedge Assembly
  - (a) Drill nutplate rivet holes on the lower surface of the wedge assembly. Use the old wedge assembly as a guide for nutplate replacement.

**57-43-41**

REPAIR 11-1

01.1

Page 604

Mar 01/00

- | (b) Countersink the boltholes. Remove burrs.
- | (c) Chemical treat and apply BMS 10-11, Type 1 primer to shims and all bare metal surfaces.
- | (d) Install the nutplates with rivets.
- | (21) Clean and prepare the slat structure and the wedge assembly for final assembly of the wedge assembly.
- | G. Final Installation of New Wedge Assembly
  - | (1) Put the new wedge assembly in position on the slat structure assembly. Make sure the ends of the wedge assembly align with ends of the slat structure assembly. Make sure the holes on the new wedge assembly are aligned with the holes in the slat leading edge skin and cove panels.
  - | (2) Install a sufficient number of temporary fasteners to hold the cove panels, stiffeners, and the wedge assembly in position.
  - | (3) Install some final fasteners.
  - | (4) Remove all temporary fasteners and install the final fasteners.
  - | (5) Fill skin joints with BMS 5-95 sealant as an aerodynamic smoother per SOPM 20-50-11 method 2. Aerodynamic smoother must be flush or below skin surface. Remove unwanted smoother.
  - | (6) Apply final finish. (Refer to MISCELLANEOUS PARTS REFINISH, REPAIR 8-1.)
  - | (7) Install all other parts you removed.

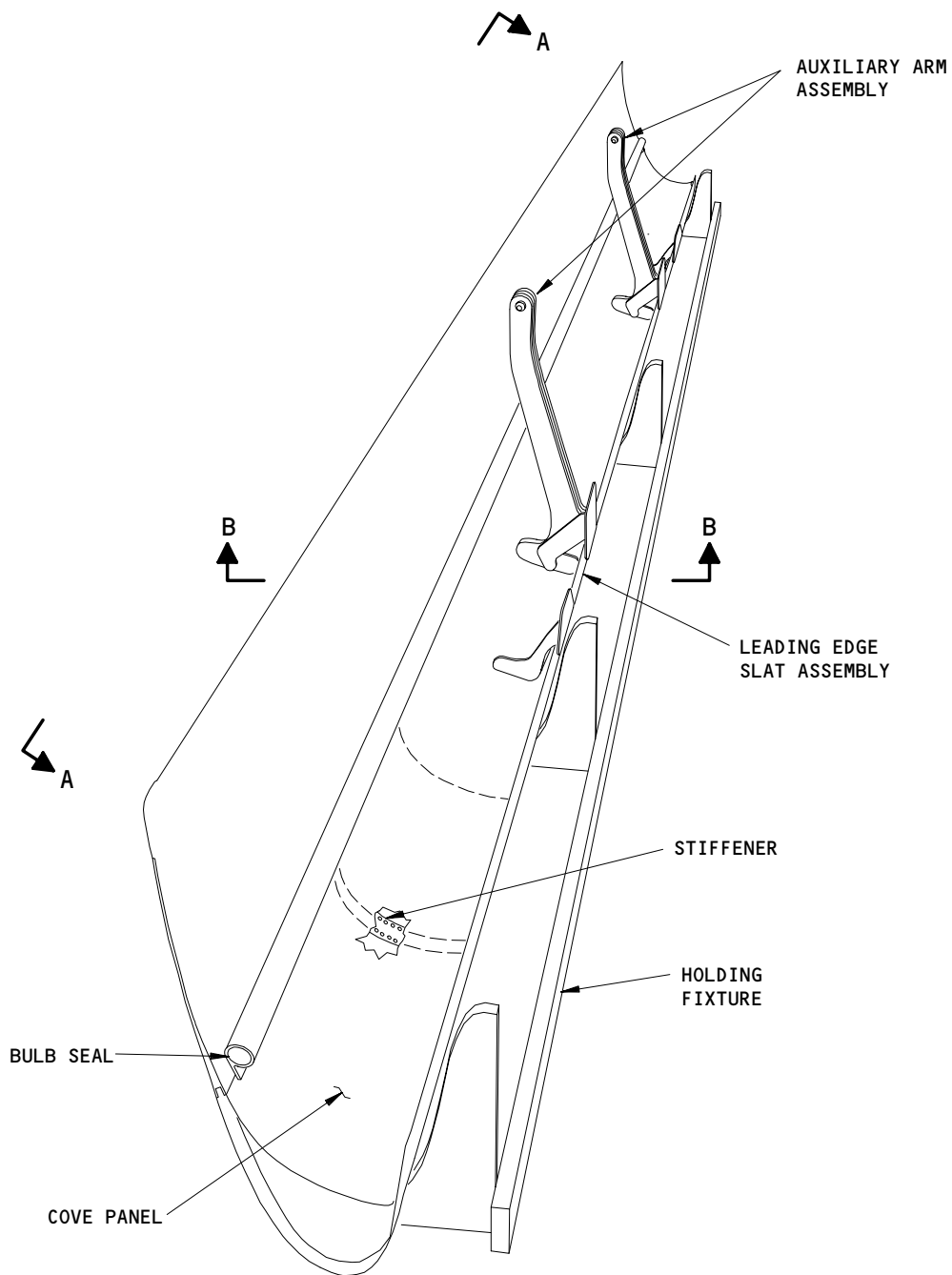
**57-43-41**

REPAIR 11-1

01.1

Page 605

Mar 01/00



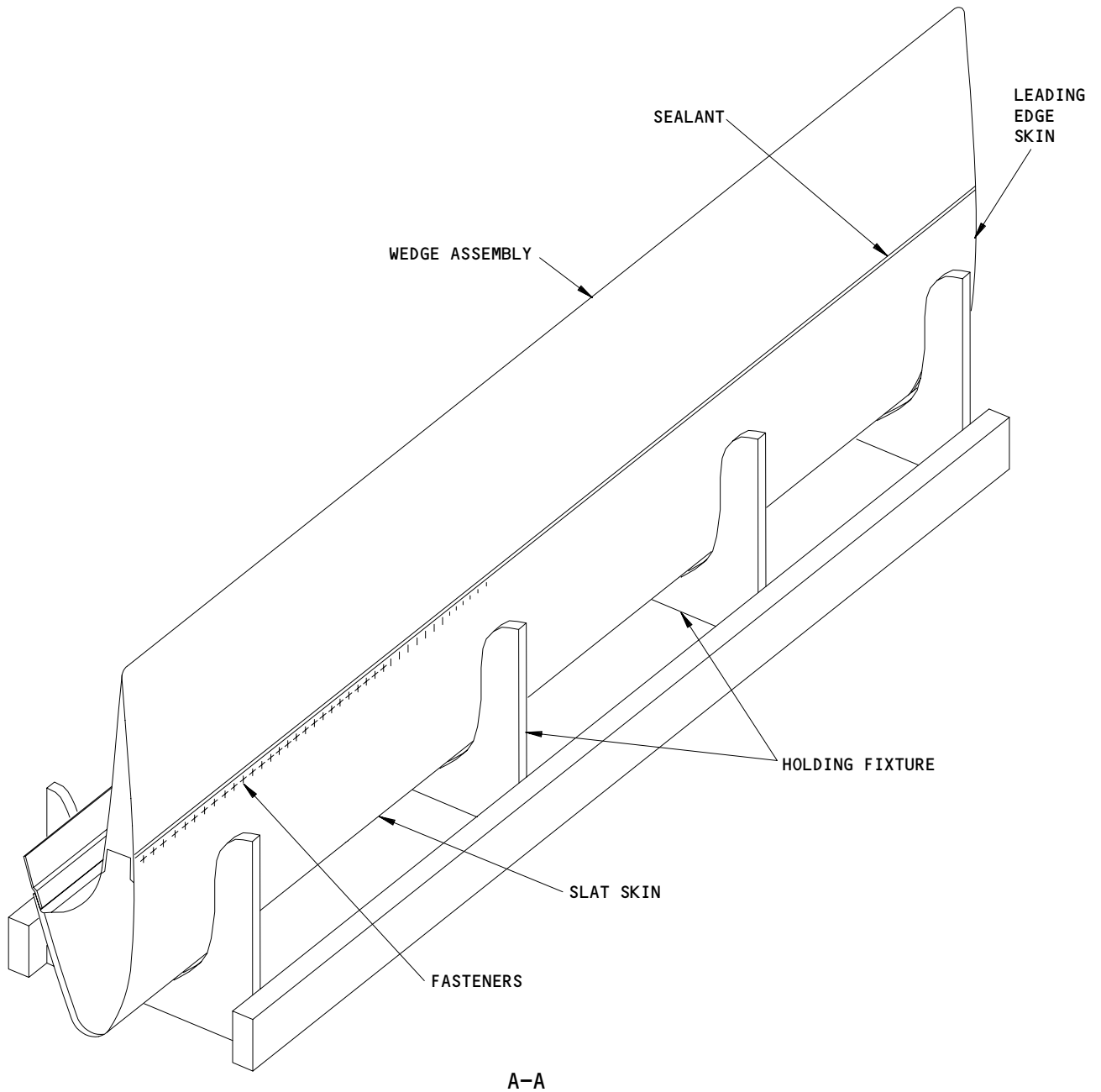
(SHOWN WITHOUT LOCATOR TOOLS)

Wedge Assembly Replacement  
Figure 601 (Sheet 1)

**57-43-41**

REPAIR 11-1  
Page 606  
Mar 01/00

01.1



Wedge Assembly Replacement  
Figure 601 (Sheet 2)

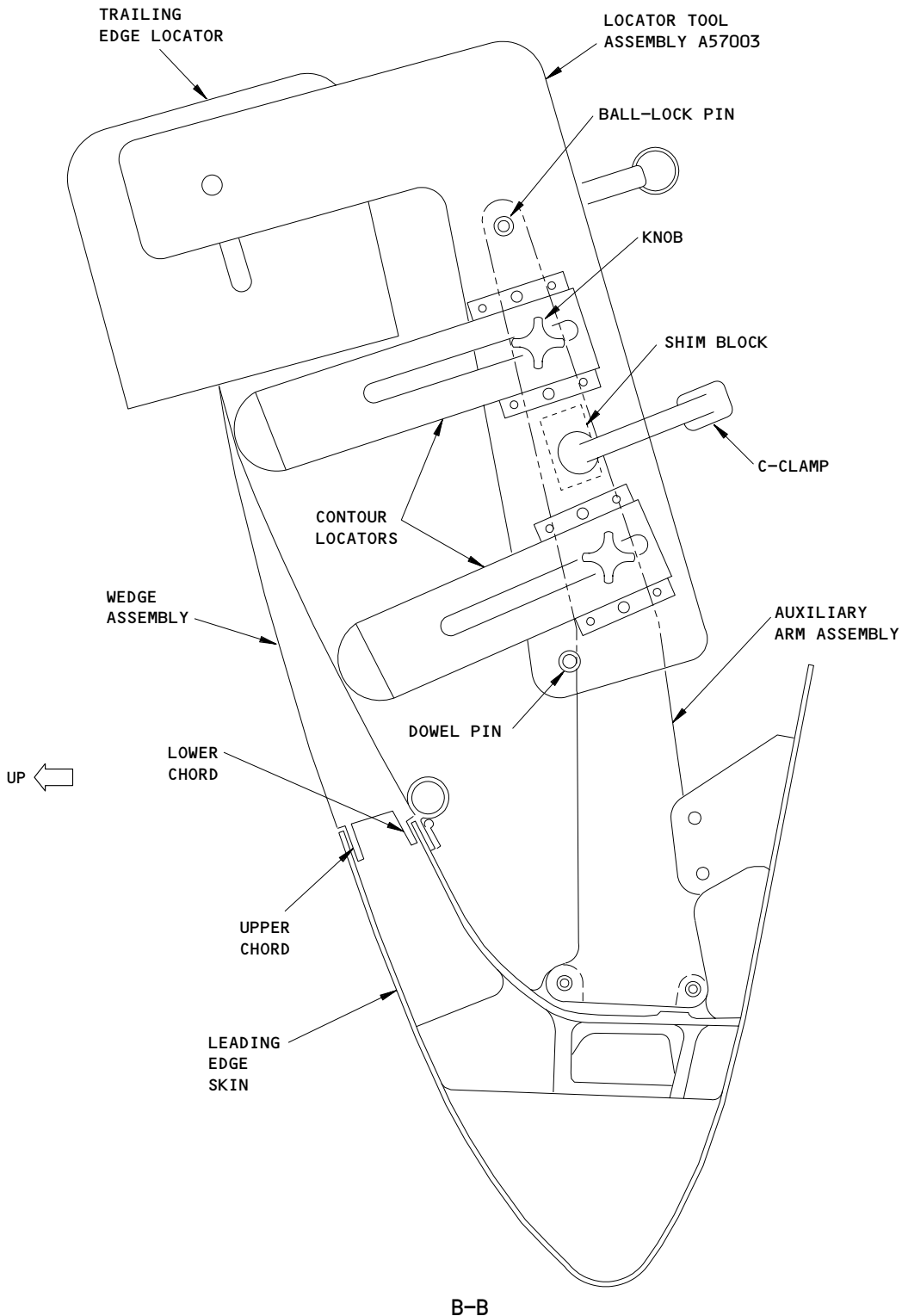
**57-43-41**

REPAIR 11-1

01.1

Page 607

Mar 01/00

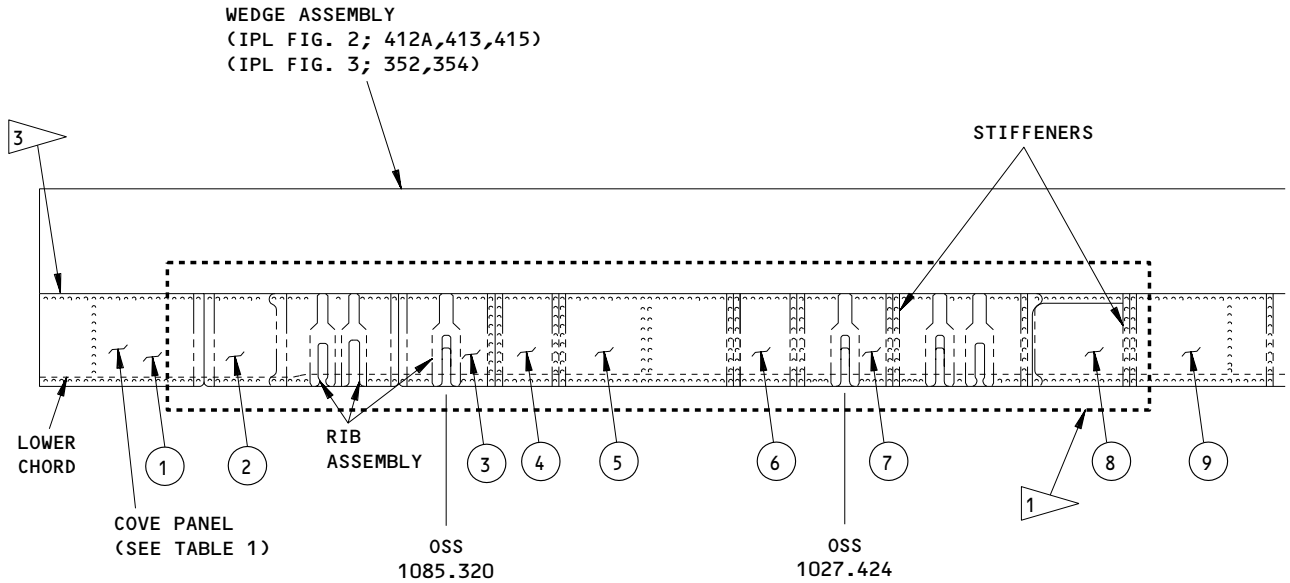
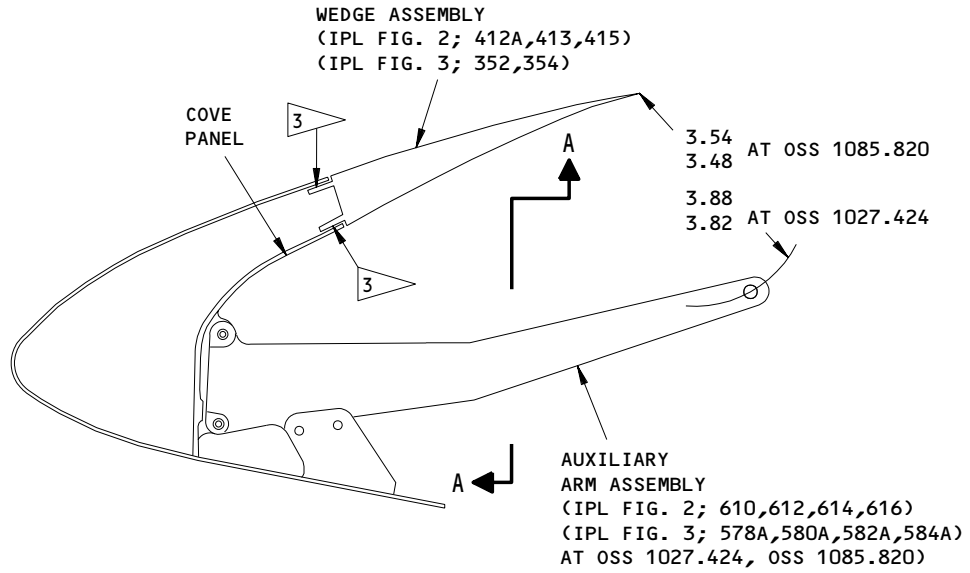


Wedge Assembly Replacement  
Figure 601 (Sheet 3)

**57-43-41**

REPAIR 11-1  
Page 608  
Mar 01/00

01.1



INBD

LEFT SIDE SHOWN  
 (RIGHT SIDE OPPOSITE)  
 (AUXILIARY ARMS NOT SHOWN)  
 A-A

ALL DIMENSIONS ARE IN INCHES

Rivet Substitution  
 Figure 602 (Sheet 1)

**57-43-41**

REPAIR 11-1

01.1



Page 609

Mar 01/04

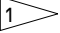



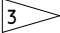
COVE PANEL LOCATION	IPL FIG. 2 ITEM NO.	IPL FIG. 3 ITEM NO.
①	110,112	112,114
②	126,126G, 128,128G	126A,128A
③	160,160G, 162,162G	160A,162A
④	178,180	178,180
⑤	212,214	208,210
⑥	236,238	228,230
⑦	268,268G, 270,270G	256,258
⑧	284,284G, 286,286G	272A,274A
⑨	312,314	302,304

**COVE PANEL IDENTIFICATION**  
**TABLE 1**

SUBSTITUTION FASTENER 	SUBSTITUTION AREA
NAS1398MW*A*,NAS1738E*,BACR15FR*E	AREA COMMON TO COVE PANEL AND THE RIB
NAS1398D*A*,NAS1398MW*A*,NAS1738E*,BACR15FR*E	AREA COMMON TO COVE PANEL AND THE WEDGE
MS21141U**P OPTIONAL: HILOKS BACB30VT*K* IN CLASS I HOLES (HILOKS INSTALLED WITH MANUFACTURED HEAD ON THE INSIDE OF THE SLAT BODY)	AREA COMMON TO COVE PANEL, RIB, AND THE WEDGE
MS21141U**P	AREA COMMON TO COVE PANEL AND THE LOWER CHORD
MS21141U**P	AREA COMMON TO COVE PANEL AND STIFFENERS
BACR15CE*AD* OR BACR15CE*D*	AREA WHERE BACR15CE*KE* FASTENERS ARE USED. 

**SUBSTITUTION**  
**TABLE 2**

-  RIVET SUBSTITUTIONS ALLOWED WITHIN SPECIFIED AREAS. BLIND RIVET SUBSTITUTIONS ARE NOT PERMITTED FOR BOLTS OR SCREWS.
-  SUBSTITUTION IS OPTIONAL. BUT IF YOU SUBSTITUTE, USE ONLY ONE TYPE OF RIVETS FOR ALL SUBSTITUTIONS. DO NOT MIX RIVET TYPES.

-  SHORT FASTENER HOLE EDGE DISTANCES ARE PERMITTED IN THIS AREA.
- FASTENER HOLE EDGE DISTANCE OF 1.50 X FASTENER DIAMETER AT ALL LOCATIONS ON WEDGE SPAR CHORDS.
  - FASTENER HOLE EDGE DISTANCE OF 1.25-1.50 X FASTENER DIAMETER IN NO MORE THAN 2 CONSECUTIVE FASTENER HOLES AND IN NO MORE THAN 3 IN ANY 10 CONSECUTIVE FASTENER HOLES.
  - FASTENER HOLE EDGE DISTANCE IS MEASURED FROM CENTER OF HOLE TO FREE EDGE OF CHORD.

Rivet Substitution  
 Figure 602 (Sheet 2)

**57-43-41**  
 REPAIR 11-1  
 Page 610  
 Nov 01/01

01.1

ASSEMBLY

1. Materials

NOTE: Equivalent substitutes may be used.

- A. Adhesive -- Type 60 (Ref 20-50-12)
- B. Enamel -- BMS 10-60, BAC701 black gloss (Ref 20-60-02)
- C. Grease -- BMS 3-24 (Ref 20-60-03)
- D. Parting Agent (Ref 20-60-04)
- E. Sealant -- BMS 5-95 (Ref 20-60-04)

2. Assembly

- A. Use standard industry practices for assembly of this component, plus additional procedures in following steps.
- B. Assembly sequence (IPL Fig. 1).
  - (1) Assemble slat structure assembly (1, 2, 3, 5, 6, 7) except temporarily omit all seals.
  - (2) Paint partially completed slat structure assembly per Miscellaneous Parts - Repair 8-1.
  - (3) Finish assembly of component.
- C. Assemble auxiliary arm and rib assembly (610, 612, 614, 616, IPL Fig. 2).
  - (1) Fay surface seal rub plate (735, 735G) to auxiliary arm assembly (672, 674, 676, 678, 692, 694, 696, 698) using BMS 5-95 sealant.
  - (2) Fill gaps between rub plates (735, 735G) and bushing (680, 700) flanges using BMS 5-95 sealant.
  - (3) Install fasteners (730, 732, 734) using BMS 5-95 sealant.
  - (4) Fay surface seal auxiliary arm assembly (672, 674, 676, 678, 692, 694, 696, 698) to rib assembly (712, 714, 716, 718) with sealant, BMS 5-95.

57-43-41

ASSEMBLY  
Page 701  
Mar 01/00

01.1

- D. Install fittings (554A, 554H, 594A, 594H).
- (1) Apply parting agent to fitting (554A, 554H, 594A, 594H) and let dry.
  - (2) Apply faying surface seal and fill cavities behind fitting (554A, 554H, 594A, 594H) with sealant BMS 5-95.
  - (3) Install bolts (125G, 125N, 283G, 283N, 529, 529D, 529R, 531, 571, 571R, 573) with grease, BMS 3-24.
- E. Assemble auxiliary rib assembly (800, 802, 850, 852, IPL Fig. 2; 578, 580, 582, 584, IPL Fig. 3).
- (1) Faying surface seal rub plate (840, 842, 890, 892, IPL Fig. 2; 616, IPL Fig. 3) to ribs (846, 848, 896, 898, IPL Fig. 2; 618, 620, 622, 624, IPL Fig. 3) using BMS 5-95 sealant.
  - (2) Install fasteners (834, 836, 838, 884, 886, 888, IPL Fig. 2; 610, 612, 614, IPL Fig. 3) using BMS 5-95 sealant.
  - (3) Fill gaps between rub plates (840, 842, 890, 892, IPL Fig. 2; 616, IPL Fig. 3) and bushing (844, 894, IPL Fig. 2; 608, IPL Fig. 3) flanges using BMS 5-95 sealant.
- F. Stencil cove panels and access panel assemblies (see Fig. 701).
- (1) Stencil identification numbers per Fig. 701. Use BMS 10-60, BAC701 black gloss enamel. Make letters one-half (1/2) inch high.

IPL FIG. & ITEM		NAME	ID NUMBER	LOCATION
<u>Fig. 2</u>	<u>Fig. 3</u>			
126	126	Cove panel	526EB	*[1]
128	128	Cove panel	626EB	*[1]
178	178	Cove panel	526DB	*[1]
180	180	Cove panel	626DB	*[1]
236	228	Cove panel	526CB	*[1]
238	230	Cove panel	626CB	*[1]
284	284	Cove panel	526BB	*[1]
286	286	Cove panel	626BB	*[1]
428	382	Access panel assembly	526AT	*[2]
430	384	Access panel assembly	626AT	*[2]
*[1] Lower right quadrant of concave surface				
*[2] Approximately centered on concave surface				

Identification Numbers  
Figure 701

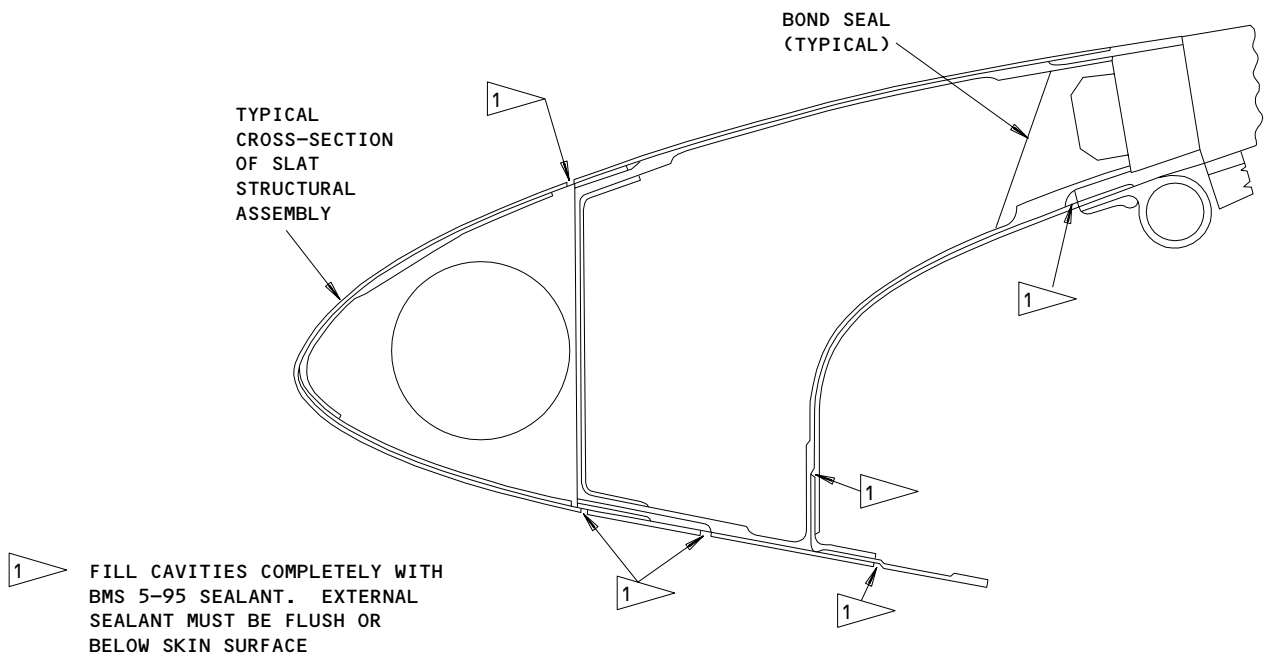
**57-43-41**

ASSEMBLY  
Page 702  
Mar 01/00

01.1

G. Assemble outboard slat No. 1 and No. 12 wing leading edge structure assembly (1, 5, IPL Fig. 1).

- (1) Bond seals (52, 54, IPL Fig. 2; 52, 54, IPL Fig. 3) and slat structure assembly per 20-50-12, type 60.
- (2) Bond indicated seals (Fig. 702) per 20-50-12, type 60.
- (3) Fill skin joints (Fig. 702) using aerosmoothen BMS 5-95 per 20-50-11, method 2. Aerosmoothen must be flush or below skin surface. Excess must be removed per 20-50-11.
- (4) Locate and fay surface seal marker (798, IPL Fig. 2; 708, IPL Fig. 3) per Fig. 703.

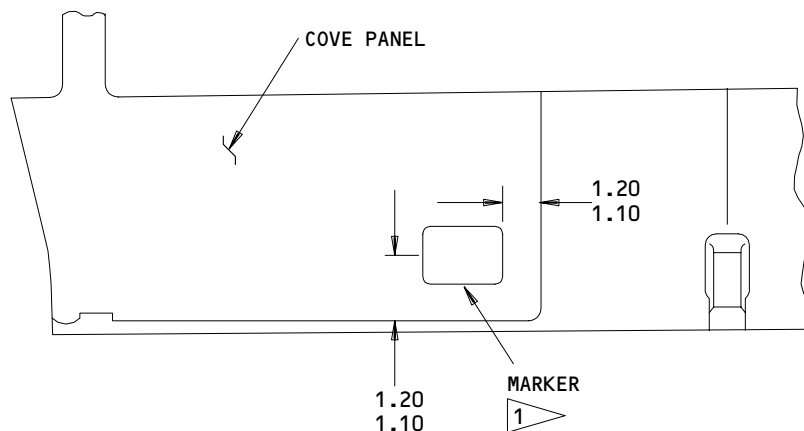


Sealant Application  
Figure 702

31644

**57-43-41**

ASSEMBLY  
Page 703  
Mar 01/00



1 ▷ FAY SEAL USING BMS 5-95 SEALANT

ALL DIMENSIONS ARE IN INCHES

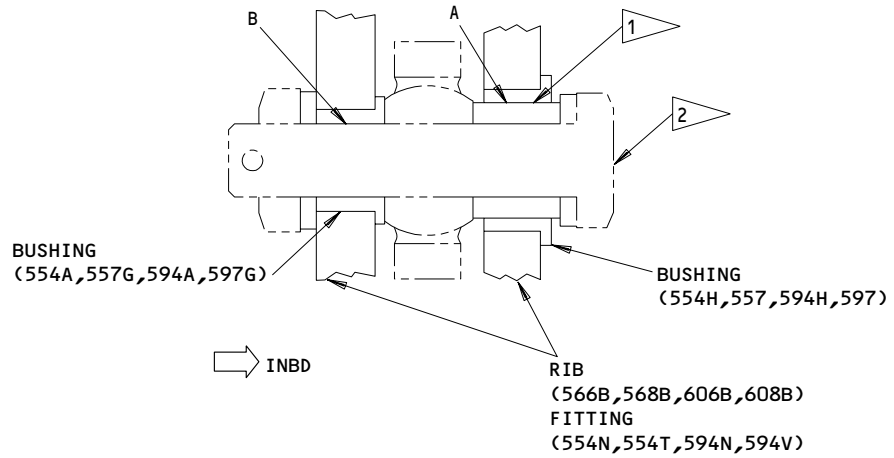
Marker Installation  
Figure 703

31645

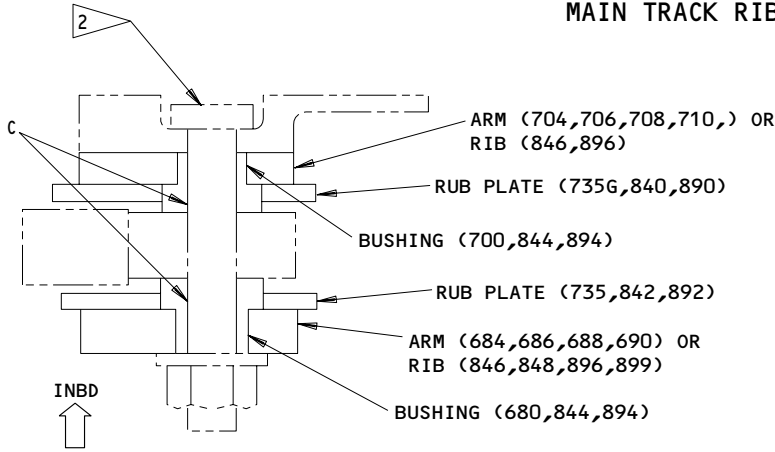
**57-43-41**

ASSEMBLY  
Page 704  
Mar 01/00

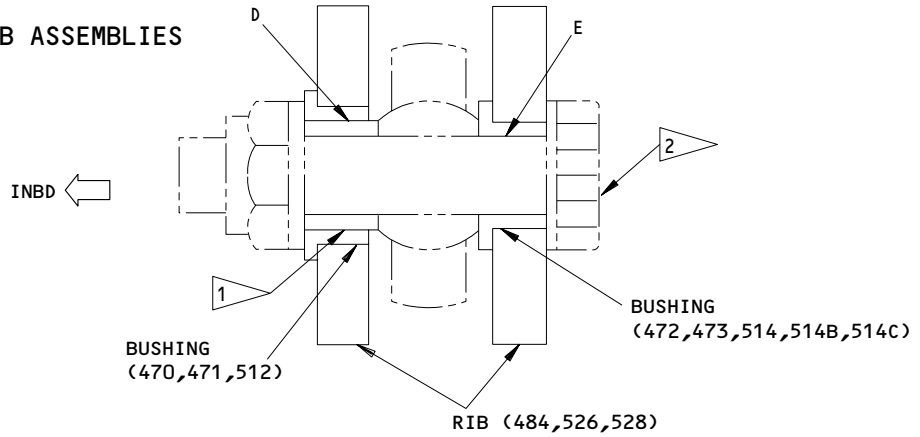
FITS AND CLEARANCES



**MAIN TRACK RIB ASSEMBLIES**



**AUXILIARY ARM AND RIB ASSEMBLIES**

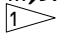
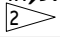
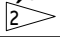
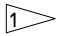



**ACTUATOR RIB ASSEMBLIES**

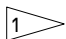
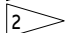
ITEM NUMBERS REFER TO IPL FIG. 2

**Fits and Clearances  
 Figure 801 (Sheet 1)**

**57-43-41**

Ref Letter Fig.801	Mating Item No. IPL Fig.2	Design Dimension				Service Wear Limit		
		Dimension		Assembly Clearance		Dimension		Maximum Clearance
		Min	Max	Min	Max	Min	Max	
A	ID 554H,557, 594H,597 OD 	0.6245 0.6235	0.6252 0.6242	0.0005	0.0017	0.6202	0.6290	0.0050
B	ID 554A,557G, 594A,597G OD 	0.4375 0.4365	0.4382 0.4370	0.0005	0.0017	0.4332	0.4420	0.0050
C	ID 680,700, 844,894 OD 	0.2500 0.2485	0.2505 0.2495	0.0005	0.0020	0.2455	0.2545	0.0050
D	ID 470,471, 512 OD 	0.4375 0.4365	0.4382 0.4370	0.0005	0.0017	0.4332	0.4420	0.0050
E	ID 472,473, 514 OD 	0.3125 0.3115	0.3131 0.3120	0.0005	0.0016	0.3081	0.3170	0.0050

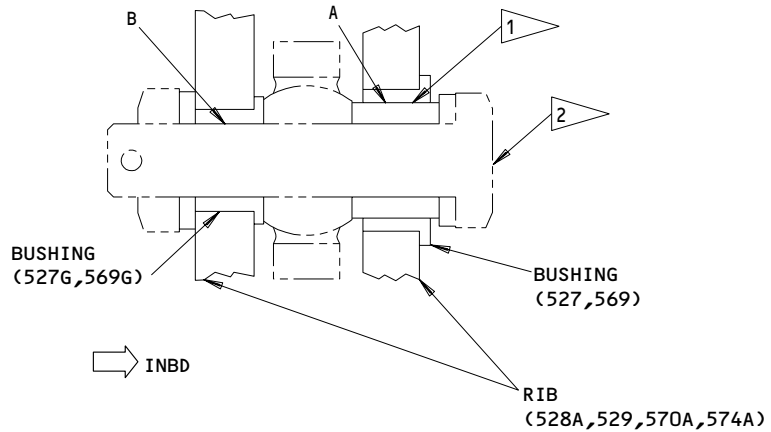
ALL DIMENSIONS ARE IN INCHES

-  INSTALLATION BUSHING
-  INSTALLATION BOLT

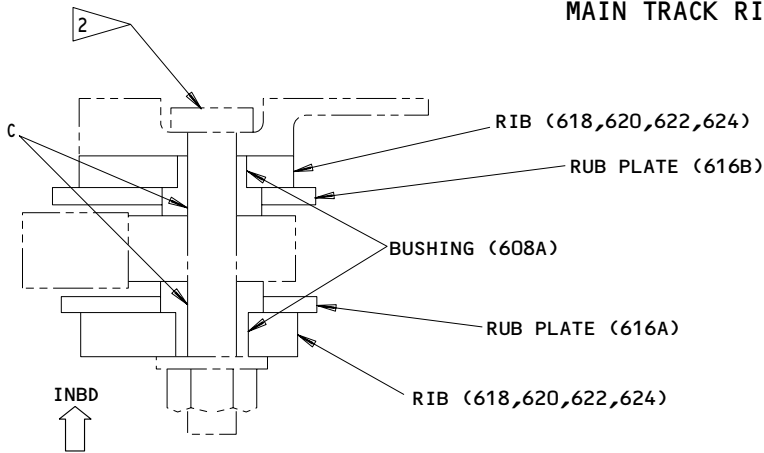
Fits and Clearances  
Figure 801 (Sheet 2)

**57-43-41**

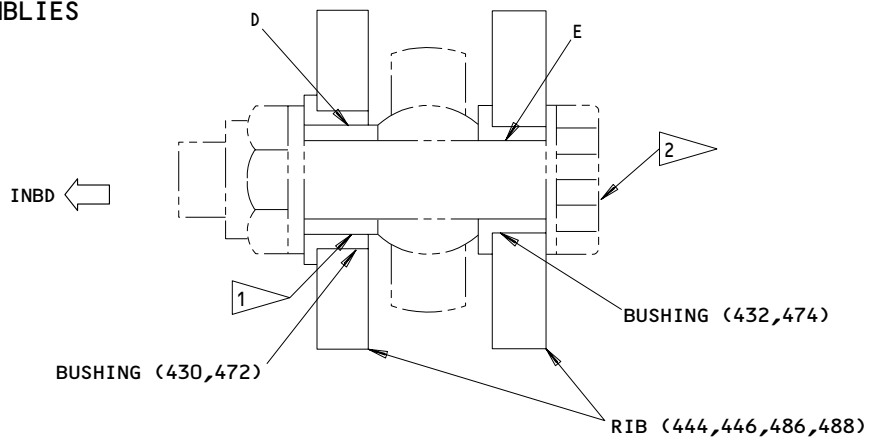
FITS AND CLEARANCES  
01.1 Page 802  
Nov 01/00



**MAIN TRACK RIB ASSEMBLIES**



**AUXILIARY ARM AND RIB ASSEMBLIES**



**ACTUATOR RIB ASSEMBLIES**

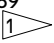
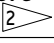
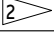
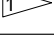
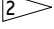
ITEM NUMBERS REFER TO IPL FIG. 3

**Fits and Clearances  
 Figure 802 (Sheet 1)**

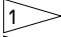

**57-43-41**

FITS AND CLEARANCES  
 01.1 Page 803  
 Nov 01/00



Ref Letter Fig.802	Mating Item No. IPL Fig.3	Design Dimension				Service Wear Limit		
		Dimension		Assembly Clearance		Dimension		Maximum Clearance
		Min	Max	Min	Max	Min	Max	
A	ID 527	0.6245	0.6252	0.0005	0.0017	0.6202	0.6290	0.0050
	OD 569 	0.6235	0.6242					
B	ID 527G	0.4375	0.4382	0.0005	0.0017	0.4332	0.4420	0.0050
	OD 569G 	0.4365	0.4370					
C	ID 608A	0.2500	0.2505	0.0005	0.0020	0.2455	0.2545	0.0050
	OD 	0.2485	0.2495					
D	ID 430,472	0.4375	0.4382	0.0005	0.0017	0.4332	0.4420	0.0050
	OD 	0.4365	0.4370					
E	ID 432,474	0.3125	0.3131	0.0005	0.0016	0.3081	0.3170	0.0050
	OD 	0.3115	0.3120					

ALL DIMENSIONS ARE IN INCHES

-  INSTALLATION BUSHING
-  INSTALLATION BOLT

Fits and Clearances  
Figure 802 (Sheet 2)

**57-43-41**

FITS AND CLEARANCES  
01.1 Page 804  
Mar 01/00

SPECIAL TOOLS, FIXTURES, AND EQUIPMENT

NOTE: Equivalent substitutes may be used.

- | 1. A57003-5, -6, -7 - OUTBD LE Slat Wedge Replacement Locating Equipment \*[1]
- | 2. Holding Fixture - Slat Structure Assembly Holding Fixture \*[2]

| \*[1] A57003 supersedes MIT114T4111.

| \*[2] Locally fabricated from wood or equivalent material. Refer to Fig. 601 of  
REPAIR 11-1.

**57-43-41**

SPECIAL TOOLS

01.1

Page 901

Mar 01/00

ILLUSTRATED PARTS LIST

1. This section lists and illustrates replaceable or repairable component parts. The Illustrated Parts Catalog contains a complete explanation of the Boeing part numbering system.

2. Indentures show parts relationships as follows:

Assembly

Detail Parts for Assembly

Subassembly

Attaching Parts for Subassembly

Detail Parts for Subassembly

Detail Installation Parts (Included only if installation parts may be returned to shop as part of assembly)

3. One use code letter (A, B, C, etc.) is assigned in the EFF CODE column for each variation of top assembly. All listed parts are used on all top assemblies except when limitations are shown by use code letter opposite individual part entries.

4. Letter suffixes (alpha-variants) are added to item numbers for optional parts, Service Bulletin modification parts, configuration differences (except left- and right-hand parts), product improvement parts, and parts added between two sequential item numbers. The alpha-variant is not shown on illustrations when appearance and location of all variants of the part are the same.

5. Service Bulletin modifications are shown by the notations PRE SB XXXX and POST SB XXXX.

A. When a new top assembly part number is assigned by Service Bulletin, the notations appear at the top assembly level only. The configuration differences at detail part level are then shown by use code letter.

B. When the top assembly part number is not changed by the Service Bulletin, the notations appear at the detail part level.

6. Parts Interchangeability

Optional  
(OPT)

The parts are optional to and interchangeable with other parts having the same item number.

Supersedes, Superseded By  
(SUPSDS, SUPSD BY)

The part supersedes and is not interchangeable with the original part.

Replaces, Replaced By  
(REPLS, REPLD BY)

The part replaces and is interchangeable with, or is an alternate to, the original part.

57-43-41

7. Boeing Proprietary Color-Coded Parts

| Color-coded parts are identified with an alphabetic letter or "SP" suffix. The entry represents consolidation of all color codes applicable for a given usage. Orders for color-coded parts should include the registry number of the airplane for which the parts are ordered.

**57-43-41**

ILLUSTRATED PARTS LIST  
01.1 Page 1002  
Nov 01/01

VENDORS

OPTK6 SPS TECHNOLOGIES INC AEROSPACE PRODUCTS DIV  
5195 W 4700 SPO BOX 18459  
KEARNS, UTAH 84118

06725 AIR INDUSTRIES CORPORATION  
12570 KNOTT STREET  
GARDEN GROVE, CALIFORNIA 92641-3932  
FORMERLY AIR INDUSTRIES OF CALIF IN GARDENA, CALIF.

08524 DEUTSCH FASTENER CORP SEE CODE V97928

11815 CHERRY AEROSPACE FASTENERS DIV OF TEXTRON  
1224 EAST WARNER AVENUE PO BOX 2157  
SANTA ANA, CALIFORNIA 92707-0157  
FORMERLY IN LOS ANGELES, CALIF , FORMERLY CHERRY FASTENERS  
TOWNSEND DIV OF TEXTRON INC V71087

15653 FAIRCHILD FASTENERS KAYNAR PRODUCTS DIV  
800 S STATE COLLEGE BLVD  
FULLERTON, CALIFORNIA 92831-3001  
FORMERLY VK6405 MICRODOT AEROSP LTD; FORMERLY KAYNAR TECH  
KAYNAR DIV

5M902 FAIRCHILD IND INC FAIRCHILD AEROSPACE FASTENER DIV  
3016 W LOMITA BLVD  
TORRANCE, CALIFORNIA 90505-5103  
FMLY IN REDONDO BEACH, CALIF

52828 REPUBLIC FASTENER MFG CORP  
1300 RANCHO CONEJO BLVD  
NEWBURY PARK, CALIFORNIA 91320-1405  
FORMERLY IN SYLMAR, CALIFORNIA

57-43-41

ILLUSTRATED PARTS LIST  
01.1 Page 1003  
Mar 01/04

VENDORS

56878 SPS TECHNOLOGIES INC AEROSPACE AND INDUSTRIAL PRODUCTS DIV  
301 HIGHLAND AVE  
JENKINTOWN, PENNSYLVANIA 19046  
FORMERLY STANDARD PRESSED STEEL

60119 MONADNOCK CO THE  
18301 ARENTH AVENUE PO BOX 1222  
CITY OF INDUSTRY, CALIFORNIA 91749  
FORMERLY UNITED CARR FASTENER CORP VB0051 VB0056 VB0076  
FORMERLY TRW ELECTRONIC COMPONENTS CINCH-MONADNOCK DIV  
FORMERLY CINCH-MONADNOCK DIV OF TRW INC V76530

60516 WEST COAST AEROSPACE INC  
812 MIRAFLORES STREET  
SAN PEDRO, CALIFORNIA 90731-1439

71087 BOOTS ACFT NUT DIV TOWNSEND CO SEE TEXTRON INC CHERRY  
FASTENER TOWNSEND DIV V11815

72962 HARVARD INDUSTRIES INC  
3 WERNER WAY SUITE 210  
LEBANON, NEW JERSEY 08833  
FORMERLY AMERACE CORP ESNA DIV  
FORMERLY ELASTIC STOP NUT IN UNION, NJ

73197 HI-SHEAR TECHNOLOGY CORP  
2600 SKYPARK DRIVE  
TORRANCE, CALIFORNIA 90509

80539 SPS TECHNOLOGIES INC AEROSPACE PRODUCTS DIV  
2701 SOUTH HARBOR BOULEVARD PO BOX 1259  
SANTA ANA, CALIFORNIA 92702-1259  
FORMERLY NUTT-SHEL DIV OF SPC WESTERN CO V80539  
AND STANDARD PRESSED STEEL WESTERN DIV V17279

92215 FAIRCHILD IND INC FAIRCHILD AEROSPACE FASTENER DIV  
3010 W LOMITA BLVD  
TORRANCE, CALIFORNIA 90505-5102  
FORMERLY VOI-SHAN IN CULVER CITY, CALIF

96774 ALLIED-SIGNAL AEROSPACE CO BENDIX GUIDANCE SYS CO  
375 NORTH LAKE STREET  
BOYNE CITY, MICHIGAN 49712-1101  
FORMERLY LTV ELECTRSYSTEMS INC; COURTER INC A SUB OF BENDIX  
INC; BENDIX CORP THE GUIDANCE SYS DIV COURTER OPNS

57-43-41

ILLUSTRATED PARTS LIST  
01.1 Page 1004  
Mar 01/04

114T4101  
015T0165  
015T1507  
DASH NUMBERS LIMITED



VENDORS

97928      SEE V17446 HUCK INTL  
            SEE V17446 HUCK INTL  
            HUCK INTL SEE V17446 HUCK INTL

**57-43-41**

ILLUSTRATED PARTS LIST  
01.1      Page 1005  
            Mar 01/04

PART NUMBER	AIRLINE PART NO.	FIG.	ITEM	TTL REQ
AN960PD10		2	374B	13
		2	376B	3
		2	456	6
		2	494	4
		2	506K	2
		2	538	3
		2	538G	6
		2	547	4
		2	580	10
		2	624	14
		2	810	2
		2	860	2
		3	152	2
		3	250	2
		3	314	16
		3	414	6
		3	458	6
		3	502	10
		3	544	10
	AN960PD10L		3	590
		3	590H	4
		3	590R	6
		2	9A	45
		2	64	2
		2	152	2
		2	262	2
		2	764	42
		2	784	6
		3	12A	43
AN960PD8L		3	13	2
		3	64	2
		3	672	42
		2	732	8
		2	836	4
BACB28AM07B015A		2	886	4
		3	612	8
		2	470	1
BACB28AM07B020A		2	512	1
		2	471	1
		2	512A	1
BACB28AM10B020A		3	430	1
		3	472	1
		2	554H	1
	2	594H	1	

# 57-43-41

 ILLUSTRATED PARTS LIST  
 01.1 Page 1006  
 Mar 01/04



114T4101  
 015T0165  
 015T1507  
 DASH NUMBERS LIMITED

 **BOEING**  
 COMPONENT  
 MAINTENANCE MANUAL

PART NUMBER	AIRLINE PART NO.	FIG.	ITEM	TTL REQ
BACB28AM10B043A		2	557	1
BACB28AM10B043A		2	597	1
		3	527	1
		3	569	1
BACB28AP05P014		2	472	1
		2	514	1
BACB28AP05P019		2	473	1
		2	514C	1
		3	432	1
		3	474	1
BACB28AP07P042		2	557G	1
		2	597G	1
		3	527G	1
		3	569G	1
BACB30FN5A3		2	730B	8
		2	834A	4
		2	884A	4
		3	610A	8
BACB30FN5A3N		2	834	4
		2	884	4
		3	610B	8
BACB30FP12-23		2	658A	2
BACB30FP16-23		2	648A	2
BACB30FP16-24		2	648B	2
BACB30FP6A4		3	598B	2
BACB30LL3-7X		2	531	1
		2	573	1
BACB30MY5K		2	824A	1
		2	874A	1
BACB30MY6K		2	462	1
		2	502	1
		2	544	2
		2	545	2
		2	586	2
		2	634	2
		3	420	1
		3	464	2
		3	508	2
		3	550	2
		3	598A	2

**57-43-41**

ILLUSTRATED PARTS LIST  
 01.1 Page 1007  
 Mar 01/04

PART NUMBER	AIRLINE PART NO.	FIG.	ITEM	TTL REQ
BACB30MY6K5		2	536B	4
		2	574A	4
BACB30MY6K5		3	494A	4
		3	536A	4
BACB30ND5A3		2	730A	8
BACB30ND6A5X		3	595	4
BACB30ND6A6X		3	597	4
BACB30NM3K10		2	125G	2
		2	283G	2
BACB30NN3K3		2	74	16
		3	74	16
BACB30NN3K4		2	416H	4
		2	780	4
		3	690	4
		3	728	12
BACB30NN3K5		2	416A	4
		2	418	18
		2	432	27
		2	432A	28
		3	372	18
		3	381	4
		3	386	28
		3	730	3
BACB30NN3K6		2	62A	2
		2	122	11
		2	174	5
		2	204	2
		2	232	5
		2	280	14
		3	62A	2
		3	122	11
		3	198	2
		3	224	5
		3	268	14

**57-43-41**

ILLUSTRATED PARTS LIST  
 01.1 Page 1008  
 Mar 01/04

114T4101  
 015T0165  
 015T1507  
 DASH NUMBERS LIMITED

 **BOEING**  
 COMPONENT  
 MAINTENANCE MANUAL

PART NUMBER	AIRLINE PART NO.	FIG.	ITEM	TTL REQ
BACB30NN3K7		2	125	2
		2	283	2
BACB30NN3K8		3	10A	1
BACB30NN3K9		2	125N	2
		2	283N	2
		3	11	1
		3	173	3
BACB30NT3K11		2	76	8
BACB30NT3K3		2	102	1
		2	104G	1
		2	106H	3
		2	144	2
		2	202	2
		2	254	2
BACB30NT3K3		2	302	1
		3	76	8
		3	102	5
		3	144	2
		3	200	2
		3	244	2
		3	292	1
		2	146	2
BACB30NT3K4		2	252	2
		2	781	2
		2	732	4
		3	100	1
BACB30NT3K5		2	148	1
		2	150G	1
		2	192G	4
		2	196H	2
		2	256	1
		2	258G	1
		2	304	1
		2	781G	1
		3	100	1
		3	148	2
		3	192	4
		3	202	2
		3	248	2
		3	300	1
		3	692	1

**57-43-41**

ILLUSTRATED PARTS LIST  
 01.1 Page 1009  
 Mar 01/04

PART NUMBER	AIRLINE PART NO.	FIG.	ITEM	TTL REQ
BACB30NT3K6		2	146G	2
		2	150	1
		2	252G	2
		2	258	1
		2	622	4
		2	762	42
		2	808	2
		2	858	2
		3	150	2
		3	174	5
		3	246	2
		3	586	4
		3	670	42
	BACB30NT3K7		2	8A
		2	124	19
BACB30NT3K7		2	124G	26
		2	172	18
		2	192	4
		2	196	8
		2	196G	2
		2	230	18
		2	282	49
		3	8A	43
		3	9	2
		3	124A	45
		3	172	15
		3	173A	3
		3	222	16
	3	223A	2	
	3	246A	2	
	3	270	49	

# 57-43-41

 ILLUSTRATED PARTS LIST  
 01.1 Page 1010  
 Mar 01/04

114T4101  
 015T0165  
 015T1507  
 DASH NUMBERS LIMITED

 **BOEING**  
 COMPONENT  
 MAINTENANCE MANUAL

PART NUMBER	AIRLINE PART NO.	FIG.	ITEM	TTL REQ
BACB30NT3K8		3	223	2
BACB30NU3K2		2	618	4
		3	589A	4
BACB30NU3K3		2	454J	3
		2	492A	3
		2	534G	2
		2	576G	4
		3	408	3
		3	452	3
		3	496	2
		3	538	2
BACB30NU3K4		2	98H	10
		2	300N	13
		2	454P	1
		2	492J	1
		2	534L	4
		2	576H	2
		2	620	2
		3	96	10
		3	288	13
		3	410	1
		3	454	1
		3	498	4
		3	540	4
		3	587A	2
BACB30NU3K5		2	98	1
		2	98G	10
		2	142	9
		2	200	22
BACB30NU3K5		2	250	9
		2	300	1
		2	300G	13
		2	454	2
		2	454H	3
		2	454N	1
		2	492	3
		2	492H	1
		2	534	3
		2	576	6
		3	98	1
		3	142	9
		3	143	12
		3	196	22
		3	242	9
		3	243	12
		3	290	1
		3	588	6

**57-43-41**

ILLUSTRATED PARTS LIST  
 01.1 Page 1011  
 Mar 01/04

PART NUMBER	AIRLINE PART NO.	FIG.	ITEM	TTL REQ		
BACB30NU3K6		2	454A	2		
		2	500G	2		
		3	412	2		
		3	456	2		
BACB30NU3K7		2	543G	4		
		2	578	4		
		3	500	4		
		3	542	4		
BACB30NW10K8		2	529	1		
		2	571	2		
BACB30NW10K9		2	529D	1		
BACB30NW5K		2	380A	12		
		2	460	5		
		2	460G	2		
		2	498	5		
		2	499	2		
		2	550	6		
		2	550H	1		
		2	628	8		
		3	594	8		
		BACB30NW6K		2	372B	37
				2	460H	2
				2	499A	2
2	500			2		
2	542			2		
2	543			2		
2	550A			6		
2	550J			2		
BACB30NW6K		2	584	10		
		2	906	10		
		3	312	37		
		3	418	8		
		3	462	8		
		3	506	10		
		3	548	10		
		3	596	8		
		3	716	10		
		BACB30NW6K3		3	594A	8
3	599A			6		
BACB30NW6K5		3	589	4		
BACB30NW6K5X		3	595A	4		
BACB30NW6K6		3	587	2		
BACB30NW6K6X		3	597A	4		
BACB30NW6K9X		2	529R	2		
		2	571R	2		
BACB30UR3K5		2	787	1		
		3	693	1		

# 57-43-41

 ILLUSTRATED PARTS LIST  
 01.1 Page 1012  
 Mar 01/04

114T4101  
 015T0165  
 015T1507  
 DASH NUMBERS LIMITED

 **BOEING**  
 COMPONENT  
 MAINTENANCE MANUAL

PART NUMBER	AIRLINE PART NO.	FIG.	ITEM	TTL REQ
BACB30VF3K3		3	408A	3
		3	452A	3
		3	496A	2
		3	538A	2
		3	96A	10
BACB30VF3K4		3	288A	13
		3	410A	1
		3	454A	1
		3	498A	4
		3	540A	4
		3	98A	1
		3	142A	9
BACB30VF3K5		3	196A	22
		3	242A	9
		3	290A	1
		3	588A	6
		3	412A	2
		3	456A	2
		3	500A	4
		3	542A	4
		2	545R	2
		2	591	2
BACB30VF3K6		3	513	2
		3	555	2
		2	545M	2
		2	589H	2
		3	511H	2
BACB30VF3K7		3	553H	2
		2	545H	2
		2	589	2
		3	511	2
		3	553	2
BACB30VT6K4		2	529H	2
		2	571H	2
		2	545V	6
BACB30VT6K5		2	591H	6
		3	513H	6
		3	555H	6
		2	529H	2
		2	571H	2
BACB30VT6K6		2	545V	6
		2	591H	6
		3	513H	6
BACC30AG10		2	545V	6
		2	591H	6
		3	513H	6
BACC30BL6		2	545V	6
		2	591H	6
		3	513H	6

**57-43-41**

ILLUSTRATED PARTS LIST  
 01.1 Page 1013  
 Mar 01/04

PART NUMBER	AIRLINE PART NO.	FIG.	ITEM	TTL REQ
BACC30M12 BACC30M16 BACC30M5		2	666A	2
		2	656A	2
		2	382B	12
		2	466	5
		2	466G	2
		2	504	5
		2	505	2
		2	552	6
		2	552H	1
		2	630	8
		2	806	3
		2	822	4
		2	826	1
		2	856	3
		2	872	4
BACC30M6		2	876	1
		3	600	8
		2	378A	37
		2	466H	2
		2	468	1
		2	505A	2
		2	506	1
		2	506G	2
		2	529V	2
		2	548	4
		2	552A	6
		2	552J	2
		2	571V	2
		2	588	12
		2	636	14
BACC30M6		2	820	4
		2	870	4
		2	908	10
		3	316	37
		3	422	9
		3	466	9
		3	510	12
		3	552	12
		3	593	6
		3	601A	24
	3	602	10	
	3	718	10	

# 57-43-41

 ILLUSTRATED PARTS LIST  
 01.1 Page 1014  
 Mar 01/04



114T4101  
 015T0165  
 015T1507  
 DASH NUMBERS LIMITED

 **BOEING**  
 COMPONENT  
 MAINTENANCE MANUAL

PART NUMBER	AIRLINE PART NO.	FIG.	ITEM	TTL REQ
BACC30NW5K		2	804	3
		2	818	4
		2	854	3
		2	869	4
BACC30NW6K		2	632	8
		2	816	4
		2	868	4
		2	468J	1
BACF3F005R005NN		2	510G	1
		2	552N	2
		2	592N	2
		2	830	1
		2	880	1
		2	176	1
BACF3F008E084NN		2	234	1
		2	108	1
		2	310A	1
		2	210	1
BACF3F008E113NN BACF3F008E143NN BACF3F008E300NN BACF3F009E084NN		2	176G	1
		2	234G	1
		3	176	1
		3	226	1
		2	108A	1
		3	110	1
BACF3F009E156NN		2	310	1
		3	298	1
		2	210G	1
BACF3F009E179NN		3	206	1
		2	838A	4
		2	888A	4
BACF3F009E300NN		3	614A	8
		2		
		3		
BACN10JC08		2		
		2		
		3		

**57-43-41**

ILLUSTRATED PARTS LIST  
 01.1 Page 1015  
 Mar 01/04

PART NUMBER	AIRLINE PART NO.	FIG.	ITEM	TTL REQ
BACN10JC08CD		2	734	8
		2	838	4
BACN10JC08CD		2	888	4
		3	614	8
BACN10JC3		2	66	2
		2	154	2
		2	264	2
		2	458	6
		2	496	4
		2	506P	2
		2	531D	1
		2	540	5
		2	540G	10
		2	547G	4
		2	569G	2
		2	573D	1
		2	582	10
		2	583	4
		2	609G	2
		2	626	10
		2	786	4
		2	814	2
		2	864	2
		3	66	2
		3	154	2
		3	252	2
		3	416	6
		3	460	6
		3	504	14
		3	546	14
		3	592	10
		3	592H	4
		3	592R	6
		3	696	4
BACN10JC3CD		3	66A	2
		3	154A	2
		3	252A	2
		3	416A	6
		3	460A	6
		3	504A	14
		3	546A	14
		3	592A	10
		3	738	5

# 57-43-41

 ILLUSTRATED PARTS LIST  
 01.1 Page 1016  
 Mar 01/04

114T4101  
 015T0165  
 015T1507  
 DASH NUMBERS LIMITED

 **BOEING**  
 COMPONENT  
 MAINTENANCE MANUAL

PART NUMBER	AIRLINE PART NO.	FIG.	ITEM	TTL REQ		
BACN10JN3		2	32A	2		
		2	80	18		
		2	121N	1		
BACN10JN3		2	224	2		
		2	737J	4		
		2	752G	1		
		2	772	12		
		3	80	15		
		3	632	4		
		3	642	1		
		3	650	1		
		3	662	1		
		3	682	12		
		3	746	4		
		3	756	10		
		BACN10JN3CD		3	682A	12
		BACN10JN3CM		3	84	3
		BACN10JQ32		2	32	40
				2	33	3
				2	116G	11
		2	120	1		
		2	168	2		
		2	220	2		
		2	276	2		
		2	318	1		
		2	320G	13		
		2	417H	4		
		2	436	7		
		2	756	2		
		2	774	30		
		3	32	43		
		3	118	12		
		3	168	2		
		3	214	2		
		3	264	2		
		3	308	14		
		3	390	7		
		3	664	3		
		3	684	30		

**57-43-41**

ILLUSTRATED PARTS LIST  
 01.1 Page 1017  
 Mar 01/04

PART NUMBER	AIRLINE PART NO.	FIG.	ITEM	TTL REQ	
BACN10JQ33		2	116	10	
		2	134	1	
		2	166	5	
		2	188	1	
		2	218	22	
		2	242	1	
		2	274	5	
		2	290	1	
		2	320	13	
	BACN10JQ33		2	417A	4
			2	560	12
			2	560G	10
			2	600	12
			2	600G	10
		2	749	1	
		3	132	1	
		3	166	5	
		3	184	1	
		3	216	20	
		3	234	1	
		3	262	5	
		3	278	1	
		3	381B	4	
	3	522	10		
	3	564	10		
	3	652	1		

**57-43-41**

ILLUSTRATED PARTS LIST  
 01.1 Page 1018  
 Mar 01/04

114T4101  
 015T0165  
 015T1507  
 DASH NUMBERS LIMITED

 **BOEING**  
 COMPONENT  
 MAINTENANCE MANUAL

PART NUMBER	AIRLINE PART NO.	FIG.	ITEM	TTL REQ	
BACN10JQ34		2	132	8	
		2	184	4	
		2	222	6	
		2	244	4	
		2	292	11	
		2	426	18	
		2	438	14	
		2	438A	15	
		2	476	2	
		2	477	4	
		2	518	2	
		2	519	2	
		2	749J	1	
		3	134	8	
		3	186	4	
		3	236	4	
		3	280	11	
		3	380	18	
		3	392	15	
		3	436	4	
		3	478	4	
		3	654	1	
	BACN10JQ35		2	136	17
			2	190	2
			2	246	2
			2	294	21
			2	478	10
		2	479	8	
BACN10JQ35		2	520	8	
		2	521	2	
		3	136	17	
		3	188	2	
		3	238	2	
		3	282	21	
		3	438	8	
	3	480	8		

**57-43-41**

ILLUSTRATED PARTS LIST  
 01.1 Page 1019  
 Mar 01/04

PART NUMBER	AIRLINE PART NO.	FIG.	ITEM	TTL REQ
BACN10JQ36		2	186	16
		2	248	16
		3	190	16
		3	240	16
BACN10KH3		2	32B	1
		2	34	2
		2	82	6
		2	118	1
		2	118B	3
		2	138	4
		2	170	6
		2	219	4
		2	226	4
		2	278	6
		2	296	4
		2	322	1
		2	440	3
		2	480	4
		2	481	2
		2	522	2
		2	523	2
		2	562	2
		2	602	2
		2	737S	2
		2	751	1
		3	34	2
		3	82	6
		3	120	4
		3	138	4
		3	170	6
		3	218	4
3	266	6		
3	284	4		
3	310	1		
3	394	3		
3	440	2		
BACN10KH3		3	482	2
		3	524	2
		3	566	2
		3	634	2
		3	656	1

**57-43-41**

ILLUSTRATED PARTS LIST  
 01.1 Page 1020  
 Mar 01/04

114T4101  
 015T0165  
 015T1507  
 DASH NUMBERS LIMITED

 **BOEING**  
 COMPONENT  
 MAINTENANCE MANUAL

PART NUMBER	AIRLINE PART NO.	FIG.	ITEM	TTL REQ	
BACN10YF32		3	32A	43	
		3	118A	12	
		3	168A	2	
		3	214A	2	
		3	264A	2	
		3	308A	14	
		3	390A	7	
		3	664A	3	
	BACN10YF32CD		3	684A	30
		BACN10YF33	3	132A	1
	3		166A	5	
	3		184A	1	
	3		216A	20	
3	234A		1		
3	262A		5		
3	278A		1		
3	381C		4		
BACN10YF34	3		134A	8	
	3		186A	4	
	3		236A	4	
	3		280A	11	
BACN10YF35	3		380A	18	
	3	392A	15		
	3	136A	17		
	3	188A	2		
	3	238A	2		
BACN10YF36	3	282A	21		
	3	190A	16		
	3	240A	16		
BACR15BA3AD	2	30	84		
	2	30A	6		
	2	78	48		
	2	114	4		
	2	114A	20		
	2	114B	28		
	2	121M	2		
	2	130	60		
	2	164	26		
	2	182	46		

**57-43-41**

ILLUSTRATED PARTS LIST  
 01.1 Page 1021  
 Mar 01/04

PART NUMBER	AIRLINE PART NO.	FIG.	ITEM	TTL REQ
BACR15BA3AD		2	216	56
		2	216B	24
		2	240	46
		2	272	26
		2	288	74
		2	316	30
		2	316G	2
		2	417	8
		2	424	36
		2	434	48
		2	434A	50
		2	474	60
		2	516	24
		2	516A	4
		2	558	24
		2	558G	20
		2	558L	4
		2	598	24
		2	598G	20
		2	598L	4
		2	737	12
		2	747	6
		2	747J	2
		2	754	4
		2	770	84
		2	796	4
		3	30	90
		3	78	48
		3	116	32
		3	130	60
		3	163	22
		3	164	26
		3	182	46
		3	212	52
		3	232	46
		3	260	26
		3	261	22
		3	276	74
		3	306	30
		3	378	36
	3	381A	8	
	3	388	50	
	3	434	28	
	3	476	28	
	3	520	24	

**57-43-41**

ILLUSTRATED PARTS LIST  
 01.1 Page 1022  
 Mar 01/04



114T4101  
 015T0165  
 015T1507  
 DASH NUMBERS LIMITED

 **BOEING**  
 COMPONENT  
 MAINTENANCE MANUAL

PART NUMBER	AIRLINE PART NO.	FIG.	ITEM	TTL REQ
BACR15BA3AD		3	562	24
		3	630	12
		3	640	2
		3	648	8
		3	680	84
		3	706	4
BACR15BA3ADC		3	744	8
		3	754	20
BACR15BA3AD7		3	165	4
		3	261H	4
BACR15BA5A		2	448	2
		3	402	2
BACR15BA5AD		2	96	2
		3	104	2
BACR15BB4A		2	900	2
		3	710	2
BACR15B3AD		3	660	4
	BACR15CE5KE	2	56	14
2		384A	74	
2		385	28	
2		386B	17	
2		904	14	
3		56	15	
3		318	115	
3		714	14	
BACR15CE6AD		2	158P	1
		3	158P	1
BACR15CE6KE	2	902	107	
	3	712	107	
BACR15FT5AD	2	106	18	
	2	106A	3	
	2	196A	6	
	2	208	40	
	2	308	29	
	2	308G	30	
	2	464	3	
	2	508	3	
	2	638	6	
	2	828	3	
	2	878	3	
	3	108	17	
	3	204	46	
	3	294	29	
3	468A	3		
3	604	6		

**57-43-41**

ILLUSTRATED PARTS LIST  
 01.1 Page 1023  
 Mar 01/04

PART NUMBER	AIRLINE PART NO.	FIG.	ITEM	TTL REQ	
BACR15FT6AD		2	104	1	
		2	158	27	
		2	158N	1	
		2	266	28	
		2	306	1	
		3	106	1	
		3	158	27	
		3	158N	1	
		3	254	28	
		3	296	1	
		3	424	1	
	BACR15FT6AD6		3	157	8
	BACR15FT6AD7		3	255	8
BACR15FT6AD7		3	159	8	
		3	255H	8	
BACR15FT7AD7		3	155	10	
		3	253	10	
BACR15FT7AD8		3	156A	2	
		3	253H	2	
BACS12ER3C15		2	569	2	
BACS12ER3C18		2	609	2	
BACS40R008C009F		3	368A	1	
		3	606A	2	
BACS40R008C010F		3	366A	1	
BACS40R008C016F		3	426A	3	
		3	470A	1	
		3	556A	1	
BACS40R008C017F		3	364A	1	
BACS40R008C019F		3	362A	6	
BACS40R008C021F		3	514B	1	
BACS40R008C037F		3	90A	1	
BACS40R08C09F		2	330A	1	
		2	459	1	
		2	510	1	
		2	541	1	
		2	640	2	
		2	832	1	
		2	882	1	
		3	368	1	
		3	606	2	

# 57-43-41

 ILLUSTRATED PARTS LIST  
 01.1 Page 1024  
 Mar 01/04

114T4101  
 015T0165  
 015T1507  
 DASH NUMBERS LIMITED

 **BOEING**  
 COMPONENT  
 MAINTENANCE MANUAL

PART NUMBER	AIRLINE PART NO.	FIG.	ITEM	TTL REQ
BACS4OR08C10F		2	328A	1
		3	366	1
BACS4OR08C16F		2	459G	1
		2	592	1
		3	426	3
BACS4OR08C16F		3	470	1
		3	556	1
BACS4OR08C17F		2	326A	1
BACS4OR08C18F		3	364	1
		2	334B	1
BACS4OR08C19F		2	324A	6
BACS4OR08C21F		3	362	6
		2	541G	1
		2	592G	1
BACS4OR08C34F		3	514A	1
		2	332A	1
		2	531R	1
BACS4OR08C37F		2	573R	1
		2	90	1
		3	90	1
BACS4OR08C51F		2	336B	1
BACS4OR12C27F		2	529M	1
		2	571M	1
BACW10BN3AC		3	672B	42
BACW10CA3CV		2	546A	3
BACW10DM6		2	787G	1
		3	695	1
BACW10P43AL		2	782	5
		2	812	2
		2	862	2
		3	591	4
		3	694	5

**57-43-41**

ILLUSTRATED PARTS LIST  
 01.1 Page 1025  
 Mar 01/04

PART NUMBER	AIRLINE PART NO.	FIG.	ITEM	TTL REQ	
BRFM20A3		2	32A	2	
		2	80	18	
		2	121N	1	
		2	224	2	
		2	737J	4	
		2	752G	1	
		2	772	12	
		3	80	15	
		3	632	4	
		3	642	1	
		3	650	1	
		3	662	1	
		3	682	12	
		3	746	4	
		3	756	10	
		3	682A	12	
	BRFM20C3D		3	84	3
	BRFM20C3M		2	116	10
	BRFM22A3-3		2	134	1
	BRFM22A3-3		2	166	5
			2	188	1
			2	218	22
			2	242	1
			2	274	5
			2	290	1
			2	320	13
			2	417A	4
			2	560	12
			2	560G	10
			2	600	12
			2	600G	10
			3	132	1
			3	166	5
		3	184	1	
		3	216	20	
		3	234	1	
		3	262	5	
		3	278	1	
		3	381B	4	
		3	522	10	
		3	564	10	
		3	652	1	

# 57-43-41

 ILLUSTRATED PARTS LIST  
 01.1 Page 1026  
 Mar 01/04

114T4101  
 015T0165  
 015T1507  
 DASH NUMBERS LIMITED

 **BOEING**  
 COMPONENT  
 MAINTENANCE MANUAL

PART NUMBER	AIRLINE PART NO.	FIG.	ITEM	TTL REQ	
BRFM22A4-3		2	132	8	
		2	184	4	
		2	222	6	
		2	244	4	
		2	292	11	
		2	426	18	
		2	438	14	
		2	438A	15	
		2	476	2	
		2	477	4	
		2	518	2	
		2	519	2	
		3	134	8	
		3	186	4	
		3	236	4	
		3	280	11	
		3	380	18	
		3	392	15	
		3	436	4	
		3	478	4	
		3	654	1	
	BRFM22A5-3		2	136	17
			2	190	2
			2	246	2
			2	294	21
			2	478	10
			2	479	8
		2	520	8	
		2	521	2	
		3	136	17	
		3	188	2	
		3	238	2	
		3	282	21	
	3	438	8		
	3	480	8		

**57-43-41**

ILLUSTRATED PARTS LIST  
 01.1 Page 1027  
 Mar 01/04

PART NUMBER	AIRLINE PART NO.	FIG.	ITEM	TTL REQ		
BRH10A08		2	838A	4		
		2	888A	4		
		3	614A	8		
BRH10A3		2	66	2		
		2	154	2		
		2	264	2		
		2	458	6		
		2	496	4		
		2	506P	2		
		2	531D	1		
		2	540	5		
		2	540G	10		
		2	547G	4		
		2	569G	2		
		2	573D	1		
		2	582	10		
		2	583	4		
		2	609G	2		
		2	626	10		
		2	786	4		
		2	814	2		
		2	864	2		
		BRH10A3		3	66	2
3	154			2		
3	252			2		
3	416			6		
3	460			6		
3	504			14		
3	546			14		
3	592			10		
BRH10A3				3	592H	4
				3	592R	6
		3	696	4		
BRH10C3D		3	66A	2		
		3	154A	2		
		3	252A	2		
		3	416A	6		
		3	460A	6		
		3	504A	14		
		3	546A	14		
		3	592A	10		
		3	738	5		

# 57-43-41

 ILLUSTRATED PARTS LIST  
 01.1 Page 1028  
 Mar 01/04

114T4101  
 015T0165  
 015T1507  
 DASH NUMBERS LIMITED

 **BOEING**  
 COMPONENT  
 MAINTENANCE MANUAL

PART NUMBER	AIRLINE PART NO.	FIG.	ITEM	TTL REQ
B30MY6K5		2	536B	4
		2	574A	4
		3	494A	4
		3	536A	4
		3	536A	4
B30NW10K8		2	529	1
		2	571	2
		2	529D	1
B30NW10K9		2	529D	1
B30NW6K3		3	594A	8
		3	599A	6
		3	589	4
B30NW6K5		3	595A	4
B30NW6K5X		3	587	2
B30NW6K6		3	597A	4
B30NW6K6X		3	597A	4
B30NW6K9X		2	529R	2
		2	571R	2
F29779-3		2	322G	1
		2	481	2
		2	523	2
		2	737S	2
		2	751	1
		2	536B	4
		2	574A	4
HL10VAZ6-5		3	494A	4
		3	536A	4
		2	529	1
		2	571	2
HL11VAZ10-8		2	529D	1
		2	571	2
HL11VAZ10-9		2	529D	1
HL11VAZ6-3		3	594A	8
		3	599A	6
		3	589	4
HL11VAZ6-5		3	595A	4
HL11VAZ6-5X		3	587	2
HL11VAZ6-6		3	597A	4
HL11VAZ6-6X		3	597A	4
HL11VAZ6-9X		2	529R	2
		2	571R	2
HL11V6-5		2	571R	2
		3	589	4

**57-43-41**

ILLUSTRATED PARTS LIST  
 01.1 Page 1029  
 Mar 01/04

PART NUMBER	AIRLINE PART NO.	FIG.	ITEM	TTL REQ
HL111VAZ6-5		3	595A	4
HL111VAZ6-6		3	597A	4
HL111VAZ6-9		2	529R	2
		2	571R	2
HL19-5A3		2	730B	8
		2	834A	4
		2	884A	4
		3	610A	8
HL19-5A3N		2	834	4
		2	884	4
		3	610B	8
HL41PY5-3		2	730B	8
		2	834A	4
		2	884A	4
		3	610A	8
HL441N5-3		2	730B	8
		2	834	4
		2	884	4
		3	610A	8
HL441UC5-3		2	730B	8
		2	834A	4
		2	884A	4
		3	610A	8
HL442A6-4		3	598B	2
HL445PB5-3		2	730A	8
HL445PB6-5X		3	595	4
HL445PB6-6X		3	597	4
HL447PB6-5		3	595	4
HL447PB6-6		3	597	4
HL62PB12-23		2	658A	2
HL62PB12-24		2	658B	2
HL62PB16-23		2	648A	2
HL62PB16-24		2	648B	2

# 57-43-41

 ILLUSTRATED PARTS LIST  
 01.1 Page 1030  
 Mar 01/04



114T4101  
 015T0165  
 015T1507  
 DASH NUMBERS LIMITED

 **BOEING**  
 COMPONENT  
 MAINTENANCE MANUAL

PART NUMBER	AIRLINE PART NO.	FIG.	ITEM	TTL REQ	
HL70-5		2	382B	12	
		2	466	5	
		2	466G	2	
		2	504	5	
		2	505	2	
		2	552	6	
		2	552H	1	
		2	630	8	
		2	806	3	
		2	822	4	
		2	826	1	
		2	856	3	
		2	872	4	
		2	876	1	
		3	600	8	
	HL79-12		2	666A	2
	HL79-16		2	656A	2
	HL79-5		2	382B	12
			2	466	5
			2	466G	2
		2	504	5	
		2	505	2	
		2	552	6	
		2	552H	1	
		2	630	8	
		2	806	3	
		2	822	4	
		2	826	1	
		2	856	3	
		2	872	4	
	2	876	1		
	3	600	8		

**57-43-41**

ILLUSTRATED PARTS LIST  
 01.1 Page 1031  
 Mar 01/04

PART NUMBER	AIRLINE PART NO.	FIG.	ITEM	TTL REQ
HL79-6		2	378A	37
		2	466H	2
		2	468	1
		2	505A	2
		2	506	1
		2	506G	2
		2	529V	2
		2	548	4
		2	552A	6
		2	552J	2
		2	571V	2
		2	588	12
		2	636	14
		2	820	4
		2	870	4
		2	908	10
		HL79-6		3
3	422			9
3	466			9
3	510			12
3	552			12
3	593			6
3	601A			24
3	602			10
HL82-10APBW		2	529H	2
		2	571H	2
HST10AG6-4		2	545R	2
		2	591	2
		3	513	2
		3	555	2

**57-43-41**

ILLUSTRATED PARTS LIST  
 01.1 Page 1032  
 Mar 01/04

114T4101  
 015T0165  
 015T1507  
 DASH NUMBERS LIMITED

 **BOEING**  
 COMPONENT  
 MAINTENANCE MANUAL

PART NUMBER	AIRLINE PART NO.	FIG.	ITEM	TTL REQ
HST10AG6-5		2	545M	2
		2	589H	2
		3	511H	2
		3	553H	2
		3	545H	2
HST10AG6-6		2	545H	2
		2	589	2
		3	511	2
		3	553	2
		3	545V	6
HST79-6		2	591H	6
		3	513H	6
		3	555H	6
		3	545V	6
HST79CY6		2	591H	6
		3	513H	6
		3	555H	6
		3	545V	6
H10-08BAC		2	838A	4
		2	888A	4
		3	614A	8
H10-3BAC		2	66	2
		2	154	2
		2	264	2
		2	458	6
		2	496	4
		2	506P	2
		2	531D	1
		2	540	5
		2	540G	10
		2	547G	4
		2	569G	2
		2	573D	1
		2	582	10
		2	583	4
		2	609G	2
		2	626	10
		2	786	4
		2	814	2
		2	864	2
3	66	2		
3	154	2		
3	252	2		
3	416	6		
3	460	6		
3	504	14		

**57-43-41**

ILLUSTRATED PARTS LIST  
 01.1 Page 1033  
 Mar 01/04

PART NUMBER	AIRLINE PART NO.	FIG.	ITEM	TTL REQ
H10-3BAC		3	546	14
		3	592	10
		3	592H	4
		3	592R	6
		3	696	4
H51650-3BAC		3	66A	2
		3	154A	2
		3	252A	2
		3	416A	6
		3	460A	6
		3	504A	14
		3	546A	14
		3	592A	10
		3	738	5
		2	546A	3
K29646-3		2	529	1
L803-10K8		2	571	2
L803-10K9		2	529D	1
L803-6-5		3	589	4
L803-6K3		3	594A	8
		3	599A	6
L803-6K5X		3	595A	4
L803-6K6		3	587	2
L803-6K6X		3	597A	4
L803-6K9X		2	529R	2
		2	571R	2
L839-5A3		2	730B	8
		2	834A	4
		2	884A	4
		3	610A	8
L839-5A3N		2	834	4
		2	884	4
		3	610B	8
MF1000-3BAC		2	32A	2
		2	80	18
		2	121N	1
		2	224	2
		2	737J	4
		2	752G	1

# 57-43-41

 ILLUSTRATED PARTS LIST  
 01.1 Page 1034  
 Mar 01/04

114T4101  
 015T0165  
 015T1507  
 DASH NUMBERS LIMITED

 **BOEING**  
 COMPONENT  
 MAINTENANCE MANUAL

PART NUMBER	AIRLINE PART NO.	FIG.	ITEM	TTL REQ	
MF1000-3BAC		2	772	12	
		3	80	15	
		3	632	4	
		3	642	1	
		3	650	1	
		3	662	1	
		3	682	12	
		3	746	4	
		3	756	10	
	MF1001-3BAC		3	84	3
		MF19058-3-2BAC	3	32A	43
	3		118A	12	
	3		168A	2	
	3		214A	2	
3	264A		2		
3	308A		14		
3	390A		7		
3	664A		3		
MF19058-3-3BAC			2	116	10
			2	134	1
		2	166	5	
		2	188	1	
		2	218	22	
		2	242	1	
		2	274	5	
		2	290	1	
		2	320	13	
		2	417A	4	
		2	560	12	
		2	560G	10	
		2	600	12	
		2	600G	10	
	3	132	1		
	3	166	5		
	3	184	1		

**57-43-41**

ILLUSTRATED PARTS LIST  
 01.1 Page 1035  
 Mar 01/04

PART NUMBER	AIRLINE PART NO.	FIG.	ITEM	TTL REQ
MF19058-3-3BAC		3	216	20
		3	234	1
		3	262	5
		3	278	1
		3	381B	4
		3	522	10
		3	564	10
		3	652	1
MF19058-3-4BAC		2	132	8
		2	184	4
		2	222	6
		2	244	4
		2	292	11
		2	426	18
		2	438	14
		2	438A	15
		2	476	2
		2	477	4
		2	518	2
		2	519	2
		3	134	8
		3	186	4
		3	236	4
		3	280	11
		3	380	18
	3	392	15	
	3	436	4	
	3	478	4	
	3	654	1	
MF19058-3-5BAC		2	136	17
		2	190	2
		2	246	2
		2	294	21
		2	478	10

# 57-43-41

 ILLUSTRATED PARTS LIST  
 01.1 Page 1036  
 Mar 01/04

114T4101  
 015T0165  
 015T1507  
 DASH NUMBERS LIMITED

 **BOEING**  
 COMPONENT  
 MAINTENANCE MANUAL

PART NUMBER	AIRLINE PART NO.	FIG.	ITEM	TTL REQ	
MF19058-3-5BAC		2	479	8	
		2	520	8	
		2	521	2	
		3	136	17	
		3	188	2	
		3	238	2	
		3	282	21	
		3	438	8	
		3	480	8	
	MF19058-3-6BAC		3	190A	16
			3	240A	16
	MF51594-3-2BAC		3	684A	30
	MF51637-3		3	682A	12
MF53049-3		2	32A	2	
		2	80	18	
		2	121N	1	
		2	224	2	
		2	737J	4	
		2	752G	1	
		2	772	12	
		3	80	15	
		3	632	4	
		3	642	1	
		3	650	1	
		3	662	1	
		3	682	12	
MF53050-3CD		3	746	4	
		3	756	10	
		3	682A	12	
	MF53050-3DL		3	84	3
	MS27253-1		2	798	1
NAS1149DN816J		3	708	1	
		3	612A	8	

**57-43-41**

ILLUSTRATED PARTS LIST  
 01.1 Page 1037  
 Mar 01/04

PART NUMBER	AIRLINE PART NO.	FIG.	ITEM	TTL REQ
NAS1149D0316J		3	672A	42
NAS1149D0332J		3	12B	43
		3	64A	2
		3	734	2
NAS1149D0363J		3	152A	2
		3	250A	2
		3	314A	16
		3	414A	6
NAS1149D0363J		3	458A	6
		3	502A	10
		3	544A	10
		3	590A	10
		3	736	4
NAS1195DD3KH		2	86	2
		2	119	2
		2	140	2
		2	228	2
		2	228G	10
		2	298	2
		2	442	4
		2	482	12
		2	483	4
		2	524	2
		2	525	8
		2	564	2
		2	604	2
		2	751J	1
		3	86	2
		3	121	2
		3	140	2
		3	220	2
		3	286	2
		3	396	4
		3	442	4
		3	484	4
		3	526	2
		3	568	2
		3	658	1

**57-43-41**

ILLUSTRATED PARTS LIST  
 01.1 Page 1038  
 Mar 01/04



114T4101  
 015T0165  
 015T1507  
 DASH NUMBERS LIMITED

 **BOEING**  
 COMPONENT  
 MAINTENANCE MANUAL

PART NUMBER	AIRLINE PART NO.	FIG.	ITEM	TTL REQ
NAS1195DD3KM		2	752	1
NAS1195DD3XH		2	88	2
		3	88	2
NS103218-02		2	32A	2
		2	80	18
		2	121N	1
		2	224	2
		2	737J	4
		2	752G	1
		2	772	12
		3	80	15
		3	632	4
		3	642	1
		3	650	1
		3	662	1

**57-43-41**

ILLUSTRATED PARTS LIST  
 01.1 Page 1039  
 Mar 01/04

PART NUMBER	AIRLINE PART NO.	FIG.	ITEM	TTL REQ
NS103218-02		3	682	12
		3	746	4
		3	756	10
NS103218SE02		3	84	3
		2	32B	1
NS103225-02		2	34	2
		2	82	6
		2	118	1
		2	118B	3
		2	138	4
		2	170	6
		2	219	4
		2	226	4
		2	278	6
		2	296	4
		2	322	1
		2	440	3
		2	480	4
		2	481	2
		2	522	2
		2	523	2
		2	562	2
		2	602	2
		2	737S	2
		2	751	1
		3	34	2
		3	82	6
		3	120	4
		3	138	4
		3	170	6
		3	218	4
		3	266	6
		3	284	4
		3	310	1
		3	394	3
		3	440	2
		3	482	2
		3	524	2
3	566	2		
3	634	2		
3	656	1		

**57-43-41**

ILLUSTRATED PARTS LIST  
 01.1 Page 1040  
 Mar 01/04

114T4101  
 015T0165  
 015T1507  
 DASH NUMBERS LIMITED

 **BOEING**  
 COMPONENT  
 MAINTENANCE MANUAL

PART NUMBER	AIRLINE PART NO.	FIG.	ITEM	TTL REQ
NS202101-02		2	66	2
		2	154	2
		2	264	2
NS202101-02		2	458	6
		2	496	4
		2	506P	2
		2	531D	1
		2	540	5
		2	540G	10
		2	547G	4
		2	569G	2
		2	573D	1
		2	582	10
		2	583	4
		2	609G	2
		2	626	10
		2	786	4
		2	814	2
		2	864	2
		3	66	2
		3	154	2
		3	252	2
		3	416	6
		3	460	6
3	504	14		
3	546	14		
3	592	10		
3	592H	4		
3	592R	6		
3	696	4		
NS202101-82		2	838A	4
		2	888A	4
NS202486-02		3	614A	8
		3	66A	2
		3	154A	2
		3	252A	2
		3	416A	6
		3	460A	6
		3	504A	14
		3	546A	14
		3	592A	10
		3	738	5
		3	682A	12
		NS202487-02 RMF9201M3		2
2	80			18
2	121N			1
2	224			2

**57-43-41**

ILLUSTRATED PARTS LIST  
 01.1 Page 1041  
 Mar 01/04

PART NUMBER	AIRLINE PART NO.	FIG.	ITEM	TTL REQ
RMF9201M3		2	737J	4
		2	752G	1
		2	772	12
		3	80	15
		3	632	4
		3	642	1
		3	650	1
		3	662	1
		3	682	12
		3	746	4
	3	756	10	

**57-43-41**

114T4101  
 015T0165  
 015T1507  
 DASH NUMBERS LIMITED

 **BOEING**  
 COMPONENT  
 MAINTENANCE MANUAL

PART NUMBER	AIRLINE PART NO.	FIG.	ITEM	TTL REQ
RMF9209M3		2	32B	1
		2	34	2
		2	82	6
		2	118	1
		2	118B	3
		2	138	4
		2	170	6
		2	219	4
		2	226	4
		2	278	6
		2	296	4
		2	322	1
		2	440	3
		2	480	4
		2	481	2
		2	522	2
		2	523	2
		2	562	2
		2	602	2
		2	737S	2
		2	751	1
		3	34	2
		3	82	6
		3	120	4
		3	138	4
		3	170	6
		3	218	4
		3	266	6
		3	284	4
		3	310	1
		3	394	3
		3	440	2
		3	482	2
		3	524	2
		3	566	2
		3	634	2
		3	656	1

**57-43-41**

ILLUSTRATED PARTS LIST  
 01.1 Page 1043  
 Mar 01/04

PART NUMBER	AIRLINE PART NO.	FIG.	ITEM	TTL REQ	
RMLH9075-3W		2	66	2	
		2	154	2	
		2	264	2	
		2	458	6	
		2	496	4	
		2	506P	2	
		2	531D	1	
		2	540	5	
	RMLH9075-3W		2	540G	10
			2	547G	4
		2	569G	2	
		2	573D	1	
		2	582	10	
		2	583	4	
		2	609G	2	
		2	626	10	
		2	786	4	
		2	814	2	
		2	864	2	
		3	66	2	
		3	154	2	
		3	252	2	
		3	416	6	
		3	460	6	
		3	504	14	
		3	546	14	
	3	592	10		
	3	592H	4		
	3	592R	6		
	3	696	4		
RMLH9075-82W		2	838A	4	
		2	888A	4	
T6C1032JCD		3	614A	8	
		3	66A	2	
		3	154A	2	
		3	252A	2	
		3	416A	6	
		3	460A	6	
		3	504A	14	
		3	546A	14	
	3	592A	10		
	3	738	5		

**57-43-41**

ILLUSTRATED PARTS LIST  
 01.1 Page 1044  
 Mar 01/04

114T4101  
 015T0165  
 015T1507  
 DASH NUMBERS LIMITED

 **BOEING**  
 COMPONENT  
 MAINTENANCE MANUAL

PART NUMBER	AIRLINE PART NO.	FIG.	ITEM	TTL REQ		
T6S1032J		2	66	2		
		2	154	2		
		2	264	2		
		2	458	6		
		2	496	4		
		2	506P	2		
		2	531D	1		
		2	540	5		
		2	540G	10		
		2	547G	4		
		T6S1032J		2	569G	2
				2	573D	1
				2	582	10
				2	583	4
2	609G			2		
2	626			10		
2	786			4		
2	814			2		
2	864			2		
3	66			2		
3	154			2		
3	252			2		
3	416			6		
3	460			6		
3	504	14				
3	546	14				
3	592	10				
3	592H	4				
3	592R	6				
3	696	4				
T6S832J		2	838A	4		
		2	888A	4		
		3	614A	8		
T8124S3S		2	737J	4		
		3	746	4		
		3	756	10		

**57-43-41**

ILLUSTRATED PARTS LIST  
 01.1 Page 1045  
 Mar 01/04

PART NUMBER	AIRLINE PART NO.	FIG.	ITEM	TTL REQ
T8125C3C VN252A02		3	84	3
		2	32A	2
		2	80	18
		2	121N	1
		2	224	2
		2	737J	4
		2	752G	1
		2	772	12
		3	80	15
		3	632	4
		3	642	1
		3	650	1
		3	662	1
		3	682	12
		3	746	4
		3	756	10
	VN252D02 VN303A02 VN303A02		3	84
		2	66	2
		2	154	2
		2	264	2
		2	458	6
		2	496	4
		2	506P	2
		2	531D	1
		2	540	5
		2	540G	10
		2	547G	4
		2	569G	2
		2	573D	1
		2	582	10
		2	583	4
		2	609G	2
		2	626	10
	2	786	4	
	2	814	2	
	2	864	2	
	3	66	2	
	3	154	2	
	3	252	2	
	3	416	6	
	3	460	6	
	3	504	14	
	3	546	14	
	3	592	10	
	3	592H	4	
	3	592R	6	
	3	696	4	

**57-43-41**

ILLUSTRATED PARTS LIST  
 01.1 Page 1046  
 Mar 01/04



114T4101  
 015T0165  
 015T1507  
 DASH NUMBERS LIMITED

 **BOEING**  
 COMPONENT  
 MAINTENANCE MANUAL

PART NUMBER	AIRLINE PART NO.	FIG.	ITEM	TTL REQ
VN303A82		2	838A	4
		2	888A	4
		3	614A	8
012T2400-41		2	554A	1
		2	594A	1
012T2400-45		2	680A	2
		2	700A	2
		2	844	2
		2	894	2
		3	608B	4
		2	472B	1
012T2400-46		2	514B	1
		1	1K	RF
015T0165-3		3	1F	RF
015T0165-4		1	5K	RF
015T0165-4		3	2F	RF
015T1507-101		1	1Q	RF
015T1507-102		2	1F	RF
		1	5Q	RF
015T1507-103		2	2M	RF
		1	1R	RF
015T1507-104		2	1G	RF
		1	5R	RF
015T1507-105		2	2N	RF
		1	1S	RF
015T1507-106		2	1H	RF
		1	5S	RF
015T1507-107		2	2P	RF
		1	2K	RF
015T1507-108		3	1L	RF
		1	6K	RF
015T1507-109		3	2L	RF
		1	1W	RF
015T1507-110		2	1M	RF
		1	5W	RF
015T1507-111		2	2U	RF
		1	1Y	RF
015T1507-112		2	1P	RF
		1	5Y	RF
015T1507-113		2	2W	RF
		1	2	RF
015T1507-114		2	1R	RF
		1	6	RF
		2	2Y	RF

**57-43-41**

ILLUSTRATED PARTS LIST  
 01.1 Page 1047  
 Mar 01/04

PART NUMBER	AIRLINE PART NO.	FIG.	ITEM	TTL REQ
015T1507-115		1	2A	RF
		2	1S	RF
015T1507-116		1	6A	RF
		2	2Z	RF
015T1507-117		1	2B	RF
		2	1T	RF
015T1507-118		1	6B	RF
		2	3E	RF
015T1507-119		1	2F	RF
		2	1X	RF
015T1507-120		1	6F	RF
		2	3K	RF
015T1507-121		1	2M	RF
		3	1N	RF
015T1507-122		1	6M	RF
		3	2N	RF
015T1507-123		1	2H	RF
		2	1Z	RF
015T1507-124		1	6H	RF
		2	3M	RF
015T1507-125		1	2P	RF
		3	1Q	RF
015T1507-126		1	6P	RF
		3	2Q	RF
015T1507-127		1	2T	RF
		3	1U	RF
015T1507-128		1	6T	RF
		3	2U	RF
015T1507-129		1	2V	RF
		3	1W	RF
015T1507-130		1	6V	RF
		3	2W	RF
015T1507-131		1	1T	RF
		2	1J	RF
015T1507-132		1	5T	RF
		2	2Q	RF

**57-43-41**

PART NUMBER	AIRLINE PART NO.	FIG.	ITEM	TTL REQ
015T1507-133		1	1U	RF
		2	1K	RF
015T1507-134		1	5U	RF
		2	2R	RF
015T1507-135		1	1V	RF
		2	1L	RF
015T1507-136		1	5V	RF
		2	2T	RF
015T1507-137		1	2L	RF
		3	1M	RF
015T1507-138		1	6L	RF
		3	2M	RF
015T1507-139		1	1X	RF
		2	1N	RF
015T1507-140		1	5X	RF
		2	2V	RF
015T1507-141		1	1Z	RF
		2	1Q	RF
015T1507-142		1	5Z	RF
		2	2X	RF
015T1507-143		1	2C	RF
		2	1U	RF
015T1507-144		1	6C	RF
		2	3F	RF
015T1507-145		1	2D	RF
015T1507-145		2	1V	RF
015T1507-146		1	6D	RF
		2	3H	RF
015T1507-147		1	2E	RF
		2	1W	RF
015T1507-148		1	6E	RF
		2	3J	RF
015T1507-149		1	2G	RF
		2	1Y	RF
015T1507-150		1	6G	RF
		2	3L	RF

**57-43-41**

PART NUMBER	AIRLINE PART NO.	FIG.	ITEM	TTL REQ
015T1507-151		1	2N	RF
		3	1P	RF
015T1507-152		1	6N	RF
		3	2P	RF
015T1507-153		1	2J	RF
		2	2F	RF
015T1507-154		1	6J	RF
		2	3N	RF
015T1507-155		1	2Q	RF
		3	1R	RF
015T1507-156		1	6Q	RF
		3	2R	RF
015T1507-157		1	2U	RF
		3	1V	RF
015T1507-158		1	6U	RF
		3	2V	RF
015T1507-159		1	2W	RF
		3	1X	RF
015T1507-160		1	6W	RF
		3	2X	RF
015T1507-161		1	2R	RF
		3	1S	RF
015T1507-162		1	6R	RF
		3	2S	RF
015T1507-163		1	2S	RF
		3	1T	RF
015T1507-164		1	6S	RF
		3	2T	RF
102F9201M3		3	682A	12
102LH9075-3W		3	66A	2
		3	154A	2
		3	252A	2
		3	416A	6
		3	460A	6

# 57-43-41

 ILLUSTRATED PARTS LIST  
 01.1 Page 1050  
 Mar 01/04

114T4101  
 015T0165  
 015T1507  
 DASH NUMBERS LIMITED

 **BOEING**  
 COMPONENT  
 MAINTENANCE MANUAL

PART NUMBER	AIRLINE PART NO.	FIG.	ITEM	TTL REQ
102LH9075-3W		3	504A	14
		3	546A	14
		3	592A	10
		3	738	5
109F9201M3		3	84	3
114T4101-10		2	422	1
114T4101-13		3	376	1
		2	156	1
114T4101-15SP		2	260	1
		1	1	RF
114T4101-16SP		2	1	RF
		1	5	RF
114T4101-21		2	2	RF
		2	206	2
114T4101-22		2	469	1
		2	549	1
		2	635	1
		2	388B	23
114T4101-23		2	389	11
		2	390A	9
		3	319	37
		1	1A	RF
114T4101-25SP		3	1	RF
		1	5A	RF
114T4101-26SP		3	2	RF
		1	1B	RF
114T4101-27		2	1A	RF
		1	5B	RF
114T4101-28		2	2A	RF
		1	1C	RF
114T4101-29		2	1C	RF
		1	5C	RF
114T4101-30		2	2C	RF
		1	1D	RF
114T4101-31SP		2	1B	RF
		1	5D	RF
114T4101-32SP		2	2B	RF
		1	1E	RF
114T4101-33		2	1D	RF
		1	5E	RF
114T4101-34		2	2D	RF

**57-43-41**

ILLUSTRATED PARTS LIST  
 01.1 Page 1051  
 Mar 01/04

PART NUMBER	AIRLINE PART NO.	FIG.	ITEM	TTL REQ
114T4101-35		1	1F	RF
		3	1C	RF
114T4101-36		1	5F	RF
114T4101-36		3	2C	RF
114T4101-39		1	1H	RF
		2	1E	RF
114T4101-40		1	5H	RF
		2	2E	RF
114T4101-401G		1	3B	RF
		3	4A	RF
114T4101-402G		1	7B	RF
		3	3E	RF
114T4101-405		3	374A	1
114T4101-406		3	376A	1
114T4101-409G		1	3C	RF
		3	4C	RF
114T4101-41		1	1J	RF
		3	1E	RF
114T4101-410G		1	7C	RF
		3	3J	RF
114T4101-411G		1	3G	RF
		3	4H	RF
114T4101-412G		1	7G	RF
		3	3P	RF
114T4101-42		1	5J	RF
		3	2E	RF
114T4101-43		1	1L	RF
		3	1G	RF
114T4101-44		1	5L	RF
		3	2G	RF
114T4101-45		1	1M	RF
		3	1H	RF
114T4101-46		1	5M	RF
		3	2H	RF
114T4101-47		1	1N	RF
		3	1J	RF
114T4101-48		1	5N	RF
		3	2J	RF
114T4101-5001		2	6A	1
114T4101-5002		2	7	1
114T4101-5003		2	6B	1
114T4101-5004		2	7A	1
114T4101-5005		2	6C	1
114T4101-5006		2	7B	1
114T4101-5007		2	6D	1
114T4101-5008		2	7C	1

# 57-43-41

 ILLUSTRATED PARTS LIST  
 01.1 Page 1052  
 Mar 01/04

114T4101  
 015T0165  
 015T1507  
 DASH NUMBERS LIMITED

 **BOEING**  
 COMPONENT  
 MAINTENANCE MANUAL

PART NUMBER	AIRLINE PART NO.	FIG.	ITEM	TTL REQ
114T4101-5009		2	6E	1
114T4101-5010		2	7D	1
114T4101-5011		2	6F	1
114T4101-5012		2	7E	1
114T4101-51SP		1	2X	RF
		3	1Y	RF
114T4101-52SP		1	6X	RF
		3	2Z	RF
114T4101-53SP		1	2Y	RF
		3	1Z	RF
114T4101-54SP		1	6Y	RF
		3	3	RF
114T4101-57G		1	3A	RF
		3	4B	RF
114T4101-58G		1	7A	RF
		3	3G	RF
114T4101-59G		1	3D	RF
		3	4D	RF
114T4101-60G		1	7D	RF
		3	3L	RF
114T4101-61G		1	3E	RF
		3	4E	RF
114T4101-62G		1	7E	RF
		3	3M	RF
114T4101-63G		1	3F	RF
		3	4G	RF
114T4101-64G		1	7F	RF
		3	3N	RF
114T4101-9		2	420	1
		3	374	1
114T4110-1		2	141	1
		3	141	1
114T4110-11		2	279	1
		3	267	1
114T4110-13		2	299	1
114T4110-13		3	287	1
114T4110-15		2	323	1
		3	311	1
114T4110-3		2	171	1
		3	171	1
114T4110-5		2	191	1
		3	191	1
114T4110-7		2	229	1
		3	221	1
114T4110-9		2	249	1
		3	241	1

**57-43-41**

ILLUSTRATED PARTS LIST  
 01.1 Page 1053  
 Mar 01/04

PART NUMBER	AIRLINE PART NO.	FIG.	ITEM	TTL REQ
114T4111-1		2	412A	1
114T4111-10		2	415A	1
		3	354A	1
114T4111-11		3	352B	1
114T4111-12		3	354B	1
114T4111-19		2	412B	1
		3	352C	1
114T4111-2		2	414A	1
		3	354C	1
114T4111-21		2	413B	1
		3	352D	1
114T4111-22		2	415B	1
		3	354D	1
114T4111-401		3	352F	1
114T4111-402		3	354F	1
114T4111-7		2	413	1
		3	352	1
114T4111-8		2	415	1
		3	354	1
114T4111-9		2	413A	1
		3	352A	1
114T4119-1		2	766	3
		3	674	3
114T4119-2		2	768	2
		2	768G	1
		3	676	2
114T4119-6		2	768H	1
		3	678	1
114T4120-1		2	92	1
		3	92	1
114T4120-2		2	94	1
		3	94	1
114T4120-7		3	92A	1

# 57-43-41

 ILLUSTRATED PARTS LIST  
 01.1 Page 1054  
 Mar 01/04



114T4101  
 015T0165  
 015T1507  
 DASH NUMBERS LIMITED

 **BOEING**  
 COMPONENT  
 MAINTENANCE MANUAL

PART NUMBER	AIRLINE PART NO.	FIG.	ITEM	TTL REQ
114T4120-8		3	94A	1
114T4121-21		2	758	1
114T4121-22		2	760	1
114T4121-23		2	758A	1
114T4121-24		2	760A	1
114T4121-405		3	666B	1
114T4121-406		3	668B	1
114T4121-73		2	758B	1
114T4121-74		2	760B	1
114T4121-83		2	758C	1
		3	666A	1
114T4121-84		2	760C	1
		3	668A	1
114T4121-89		3	666C	1
114T4121-90		3	668C	1
114T4140-81		2	672	1
114T4140-82		2	674	1
114T4140-83		2	692	1
114T4140-84		2	694	1
114T4140-85		2	684	1
114T4140-86		2	686	1
114T4140-87		2	704	1
114T4140-88		2	706	1
114T4140-89		2	676	1
114T4140-90		2	678	1
114T4140-91		2	696	1
114T4140-92		2	698	1
114T4140-93		2	688	1
114T4140-94		2	690	1
114T4140-95		2	708	1
114T4140-96		2	710	1

**57-43-41**

ILLUSTRATED PARTS LIST  
 01.1 Page 1055  
 Mar 01/04

PART NUMBER	AIRLINE PART NO.	FIG.	ITEM	TTL REQ
114T4149-1		2	735	2
		2	842	1
		2	892	1
		3	616A	2
114T4149-2		2	735G	2
		2	840	1
		2	890	1
		3	616B	2
114T4151-17		2	910	1
		3	720	1
114T4151-18		2	912	1
		3	722	1
114T4151-19		2	914	1
		3	724	1
114T4151-20		2	916	1
		3	726	1
114T4151-401		3	724A	1
114T4151-402		3	726A	1
114T4156-1		2	428	1
		3	382	1
114T4156-2		2	430	1
		3	384	1
114T4173-1		2	358A	1
114T4173-2		2	356A	1
		2	360A	2
		3	348	1
114T4173-3		2	362A	13
		2	364A	2
		3	350	15
114T4173-4		2	366A	2
114T4173-5		2	368A	1
114T4173-6		2	370A	1
114T4174-1		2	340A	1
		3	336	1
114T4174-12		2	354A	1
		3	346	1
114T4174-2		2	341	1
114T4174-3		2	342	6
		3	338	6
114T4174-4		2	344B	3
		3	340	3

# 57-43-41

 ILLUSTRATED PARTS LIST  
 01.1 Page 1056  
 Mar 01/04

114T4101  
 015T0165  
 015T1507  
 DASH NUMBERS LIMITED

 **BOEING**  
 COMPONENT  
 MAINTENANCE MANUAL

PART NUMBER	AIRLINE PART NO.	FIG.	ITEM	TTL REQ
114T4174-5		2	346A	1
		2	348A	1
		3	341	2
114T4174-6		2	349	1
		2	350A	2
114T4174-7		3	342	2
		2	353	1
114T4174-8		2	352A	1
		3	344	1
114T4174-9		2	394B	1
		3	320	1
114T4175-1		2	396A	1
		2	394C	1
114T4175-19		3	322	1
		2	397	1
114T4175-2		2	406A	1
		2	406B	1
114T4175-20		2	410A	1
		2	410B	1
114T4175-21		2	410B	1
		2	398C	2
114T4175-22		3	324	2
		2	400C	2
114T4175-23		3	326	2
		2	402A	1
114T4175-24		3	328	1
		2	404A	1
114T4175-3		3	330	1
		2	408A	1
114T4175-4		3	332	1
		2	408B	1
114T4175-5		3	334	1
		2	198	1
114T4175-6		2	1	RF
		2	1	RF
114T4175-7		2	553A	1
		2	555B	1
114T4175-8		2	593A	1
		2	595B	1
114T4177-1		2	198	1
114T4181-1		1	1	RF
		2	1	RF

**57-43-41**

ILLUSTRATED PARTS LIST  
 01.1 Page 1057  
 Mar 01/04

PART NUMBER	AIRLINE PART NO.	FIG.	ITEM	TTL REQ	
114T4181-1,		2	125	2	
		2	283	2	
		2	472B	1	
		2	514B	1	
		2	529	1	
		2	529H	2	
		2	529M	1	
		2	529R	2	
		2	531	1	
		2	531H	2	
		2	531M	1	
		2	536B	4	
		2	569	2	
		2	571	2	
		2	571M	1	
	114T4181-1,		2	571R	2
			2	573	1
		2	573H	2	
		2	573M	1	
		2	574A	4	
		2	583	4	
		2	609	2	
		2	648A	2	
		2	656A	2	
		2	658A	2	
		2	666A	2	
114T4181-2		2	680A	2	
		2	700A	2	
		2	730A	8	
		2	735	2	
		1	5	RF	
		2	2	RF	
		2	125	2	
		2	283	2	
		2	472B	1	
		2	514B	1	
		2	529	1	
		2	529H	2	
		2	529M	1	
	2	529R	2		
	2	531	1		
	2	531H	2		
	2	531M	1		
	2	536B	4		

**57-43-41**

ILLUSTRATED PARTS LIST  
 01.1 Page 1058  
 Mar 01/04

114T4101  
 015T0165  
 015T1507  
 DASH NUMBERS LIMITED

 **BOEING**  
 COMPONENT  
 MAINTENANCE MANUAL

PART NUMBER	AIRLINE PART NO.	FIG.	ITEM	TTL REQ		
114T4181-2		2	553G	1		
		2	556K	1		
		2	569	2		
		2	571	2		
		2	571M	1		
		2	571R	2		
		2	573	1		
		2	573H	2		
		2	573M	1		
		2	574A	4		
		2	583	4		
		2	593G	1		
		2	596K	1		
		2	609	2		
		2	648A	2		
		2	656A	2		
		2	658A	2		
		2	666A	2		
		2	680A	2		
		2	700A	2		
		2	730A	8		
		2	735	2		
		2	555B	1		
		114T4181-3		2	556K	1
		114T4181-4		2	595B	1
		114T4181-5		2	596K	1
		114T4181-6		2	553A	1
114T4186-1		2	553G	1		
114T4186-2		2	554N	1		
114T4186-3		2	554T	1		
114T4186-4		2	593A	1		
114T4187-1		2	593G	1		
114T4187-2		2	594N	1		
114T4187-3		2	594V	1		
114T4187-4		2	776	1		
114T4200-17		2	778	1		
114T4200-18		2	776A	1		
114T4200-29		2	686	1		
114T4200-29		3	688	1		
114T4200-30		2	778A	1		
		3	688	1		
114T4224-1		2	48	1		
		3	48	1		
114T4224-2		2	50	1		
		3	50	1		
114T4224-7		3	50A	1		
114T4225-1		2	58	1		
		3	58	1		

**57-43-41**

ILLUSTRATED PARTS LIST  
 01.1 Page 1059  
 Mar 01/04

PART NUMBER	AIRLINE PART NO.	FIG.	ITEM	TTL REQ
114T4225-2		2	60	1
		3	60	1
114T4226-1		2	36	1
		3	36	1
114T4226-2		2	38	1
		3	38	1
114T4230-400		3	766	1
114T4230-401		3	764	1
114T4230-402		3	762	1
114T4230-404		3	768	1
114T4231-19		2	40	1
114T4231-20		2	42	1
114T4231-21		2	44	1
114T4231-22		2	46	1
114T4231-403		3	750	1
114T4231-404		3	758	1
114T4231-405		3	742	1
114T4231-406		3	748	1
114T4231-407		3	752	1
114T4231-408		3	760	1
114T4232-1		2	18	1
		3	18	1
114T4232-2		2	20	1
		3	20	1
114T4232-3		2	22	1
		3	22	1
114T4232-4		2	24	1
		3	24	1
114T4232-401		3	18A	1
114T4232-402		3	20A	1
114T4232-5		2	26	1
		3	26	1
114T4232-6		2	28	1
		3	28	1
114T4233-1		2	10A	1
114T4233-2		2	11	1
114T4233-3		2	13	1
114T4233-32		2	12A	45
		3	17	43
		3	17L	2
114T4233-33		3	15	1
		3	16N	1
114T4233-4		2	14A	1
114T4233-401		3	740	1
114T4233-5		2	15	1

# 57-43-41

 ILLUSTRATED PARTS LIST  
 01.1 Page 1060  
 Mar 01/04

114T4101  
 015T0165  
 015T1507  
 DASH NUMBERS LIMITED

 **BOEING**  
 COMPONENT  
 MAINTENANCE MANUAL

PART NUMBER	AIRLINE PART NO.	FIG.	ITEM	TTL REQ
114T4233-6		2	16	1
114T4234-401		3	770	1
114T4234-402		3	772	1
114T4234-403		3	774	1
114T4234-404		3	776	1
114T4235-8		2	72	1
		3	72	1
114T4236-1		2	52	1
		3	52	1
114T4236-2		2	54	1
		3	54	1
114T4236-7		3	52A	1
114T4236-8		3	54A	1
114T4237-5		2	68	1
		3	68	1
114T4237-6		2	70	1
		3	70	1
114T4240-61		2	788	1
114T4240-62		2	790	1
114T4240-63		2	792	1
114T4240-64		2	794	1
114T4240-65		2	789	1
		3	698	1
114T4240-66		2	791	1
		3	700	1
114T4240-67		2	793	1
		3	702	1
114T4240-68		2	795	1
		3	704	1
114T4242-1		2	40A	1
		3	40	1
114T4242-2		2	42A	1
		3	42	1
114T4242-3		2	44A	1
		3	44	1

**57-43-41**

ILLUSTRATED PARTS LIST  
 01.1 Page 1061  
 Mar 01/04

PART NUMBER	AIRLINE PART NO.	FIG.	ITEM	TTL REQ
114T4242-4		2	46A	1
		3	46	1
114T4261-1		2	110	1
		3	112	1
114T4261-10		2	214	1
		3	210	1
114T4261-11		2	236	1
		3	228	1
114T4261-12		2	238	1
		3	230	1
114T4261-13		2	268	1
114T4261-14		2	270	1
114T4261-15		2	284	1
114T4261-16		2	286	1
114T4261-17		2	312	1
		3	302	1
114T4261-18		2	314	1
		3	304	1
114T4261-2		2	112	1
		3	114	1
114T4261-21		2	160G	1
		3	160A	1
114T4261-22		2	162G	1
		3	162A	1
114T4261-23		2	268G	1
		3	256	1
114T4261-24		2	270G	1
		3	258	1
114T4261-25		2	126G	1
		3	126A	1
114T4261-26		2	128G	1
		3	128A	1
114T4261-27		2	284G	1
		3	272A	1

# 57-43-41

 ILLUSTRATED PARTS LIST  
 01.1 Page 1062  
 Mar 01/04



114T4101  
 015T0165  
 015T1507  
 DASH NUMBERS LIMITED

 **BOEING**  
 COMPONENT  
 MAINTENANCE MANUAL

PART NUMBER	AIRLINE PART NO.	FIG.	ITEM	TTL REQ
114T4261-28		2	286G	1
		3	274A	1
114T4261-3		2	126	1
114T4261-4		2	128	1
114T4261-401		3	112A	1
114T4261-402		3	114A	1
114T4261-5		2	160	1
114T4261-6		2	162	1
114T4261-7		2	178	1
		3	178	1
114T4261-8		2	180	1
114T4261-8		3	180	1
114T4261-9		2	212	1
		3	208	1
114T4302-4		2	194B	1
		3	194A	1
114T4400-10		2	556J	1
114T4400-11		2	566A	1
114T4400-12		2	568A	1
114T4400-13		2	555C	1
		3	518B	1
114T4400-14		2	556L	1
		3	519	1
114T4400-15		2	566B	1
		3	528A	1
114T4400-16		2	568B	1
		3	529	1
114T4400-5		2	555	1
114T4400-6		2	556H	1
114T4400-7		2	566	1
114T4400-8		2	568	1
114T4400-9		2	555A	1

**57-43-41**

ILLUSTRATED PARTS LIST  
 01.1 Page 1063  
 Mar 01/04

PART NUMBER	AIRLINE PART NO.	FIG.	ITEM	TTL REQ
114T4401-10		2	596J	1
114T4401-11		2	606A	1
114T4401-12		2	608A	1
114T4401-13		2	595C	1
		3	560B	1
114T4401-14		2	596L	1
		3	561	1
114T4401-15		2	606B	1
		3	570A	1
114T4401-16		2	608B	1
		3	574A	1
114T4401-5		2	595	1
114T4401-6		2	596H	1
114T4401-7		2	606	1
114T4401-8		2	608	1
114T4401-9		2	595A	1
114T4500-5		2	712	1
114T4500-6		2	714	1
114T4500-7		2	722	1
114T4500-8		2	724	1
114T4501-5		2	716	1
114T4501-6		2	718	1
114T4501-7		2	726	1
114T4501-8		2	728	1
114T4510-21		2	610	1
114T4510-22		2	612	1
114T4510-23		2	614	1
114T4510-24		2	616	1
114T4512-10		2	802	1
		3	580B	1
114T4512-11		2	846	1
		3	618B	1
114T4512-12		2	848	1
		3	620B	1
114T4512-13		3	578C	1
114T4512-14		3	580C	1
114T4512-15		3	618C	1
114T4512-16		3	620F	1
114T4512-401		3	578D	1
114T4512-402		3	580D	1
114T4512-403		3	618D	1
114T4512-404		3	620D	1
114T4512-405		3	578E	1
114T4512-406		3	580E	1
114T4512-407		3	618E	1
114T4512-408		3	620E	1
114T4512-5		3	578A	1

# 57-43-41

 ILLUSTRATED PARTS LIST  
 01.1 Page 1064  
 Mar 01/04

114T4101  
 015T0165  
 015T1507  
 DASH NUMBERS LIMITED

 **BOEING**  
 COMPONENT  
 MAINTENANCE MANUAL

PART NUMBER	AIRLINE PART NO.	FIG.	ITEM	TTL REQ
114T4512-6		3	580A	1
114T4512-7		3	618A	1
114T4512-8		3	620A	1
114T4512-9		2	800	1
		3	578B	1
114T4513-10		2	852	1
		3	584B	1
114T4513-11		2	896	1
		3	622B	1
114T4513-12		2	898	1
		3	624B	1
114T4513-13		3	582C	1
114T4513-14		3	584C	1
114T4513-15		3	622C	1
114T4513-16		3	624C	1
114T4513-401		3	582D	1
114T4513-402		3	584D	1
114T4513-403		3	622D	1
114T4513-404		3	624D	1
114T4513-5		3	582A	1
114T4513-6		3	584A	1
114T4513-7		3	622A	1
114T4513-8		3	624A	1
114T4513-9		2	850	1
		3	582B	1
114T4600-17		2	450	1
114T4600-18		2	452	1
114T4600-19		2	484	1
114T4600-20		2	486	1
114T4600-21		2	450B	1
		3	404	1
114T4600-22		2	452B	1
		3	406	1
114T4600-23		2	484B	1
		3	444	1
114T4600-24		2	486B	1
		3	446	1
114T4600-5		2	450A	1
114T4600-6		2	452A	1
114T4600-7		2	484A	1
114T4600-8		2	486A	1
114T4601-17		2	488	1
114T4601-18		2	490	1
114T4601-19		2	526	1
114T4601-20		2	528	1
114T4601-21		2	488B	1
		3	448	1

**57-43-41**

ILLUSTRATED PARTS LIST  
 01.1 Page 1065  
 Mar 01/04

PART NUMBER	AIRLINE PART NO.	FIG.	ITEM	TTL REQ
114T4601-22		2	490B	1
		3	450	1
114T4601-23		2	526B	1
		3	486	1
114T4601-24		2	528B	1
		3	488	1
114T4601-5		2	488A	1
114T4601-6		2	490A	1
114T4601-7		2	526A	1
114T4601-8		2	528A	1
114T4701-1		2	736G	1
114T4701-2		2	736J	1
114T4701-3		2	739	1
114T4701-4		2	741	1
114T4701-5		2	736H	1
		3	626	1
114T4701-6		2	736K	1
		3	628	1
114T4701-7		2	739J	1
		3	635	1
114T4701-8		2	741J	1
		3	635A	1
114T4901-1		2	121G	1
		3	636	1
114T4901-4		2	121K	1
		3	638	1
114T4901-5		2	121P	1
		3	643	1
114T4901-6		2	121Q	1
		3	643A	1
114T4902-1		2	745	1
114T4902-3		2	753A	1
114T4902-4		2	753G	1
114T4902-5		2	745A	1
		3	644	1
114T4902-6		2	745K	1
		3	646	1
114T4902-7		2	753B	1
		3	659	1
114T4902-8		2	753H	1
		3	659A	1
114T4912-1		2	444	1
		3	398	1
114T4912-2		2	446	1
		3	400	1

# 57-43-41

 ILLUSTRATED PARTS LIST  
 01.1 Page 1066  
 Mar 01/04

114T4101  
 015T0165  
 015T1507  
 DASH NUMBERS LIMITED

 **BOEING**  
 COMPONENT  
 MAINTENANCE MANUAL

PART NUMBER	AIRLINE PART NO.	FIG.	ITEM	TTL REQ
114T6415-2		2	531M	1
		2	573M	1
114T6415-5		2	531H	2
		2	573H	2
114T6419-10		2	569V	1
		2	609V	1
114T6419-9		2	569N	1
		2	609N	1
256T2931-1		3	14A	1
256T2931-2		3	16A	1
256T2933-5		3	255Q	1
256T2933-6		3	255W	1
66014-12		2	666A	2
66014-16		2	656A	2
66014-5		2	382B	12
		2	466	5
		2	466G	2
		2	504	5
		2	505	2
		2	552	6
		2	552H	1
		2	630	8
		2	806	3
		2	822	4
		2	826	1
		2	856	3
		2	872	4
		2	876	1
		3	600	8

**57-43-41**

ILLUSTRATED PARTS LIST  
 01.1 Page 1067  
 Mar 01/04

PART NUMBER	AIRLINE PART NO.	FIG.	ITEM	TTL REQ	
66014-6		2	378A	37	
		2	466H	2	
		2	468	1	
		2	505A	2	
		2	506	1	
		2	506G	2	
		2	529V	2	
		2	548	4	
		2	552A	6	
		2	552J	2	
		2	571V	2	
		2	588	12	
		2	636	14	
		2	820	4	
		2	870	4	
		2	908	10	
		3	316	37	
		3	422	9	
		3	466	9	
		3	510	12	
		3	552	12	
		3	593	6	
		3	601A	24	
		3	602	10	
		3	718	10	
	67068-5A3		2	730B	8
			2	834A	4
67068-5A3		2	884A	4	
		3	610A	8	
69310-5A3		2	730A	8	
69310-6A5X		3	595	4	
69310-6A6X		3	597	4	
70188-3		2	546A	3	
9000910-1		3	177	1	
9000910-2		3	177L	1	

# 57-43-41

 ILLUSTRATED PARTS LIST  
 01.1 Page 1068  
 Mar 01/04

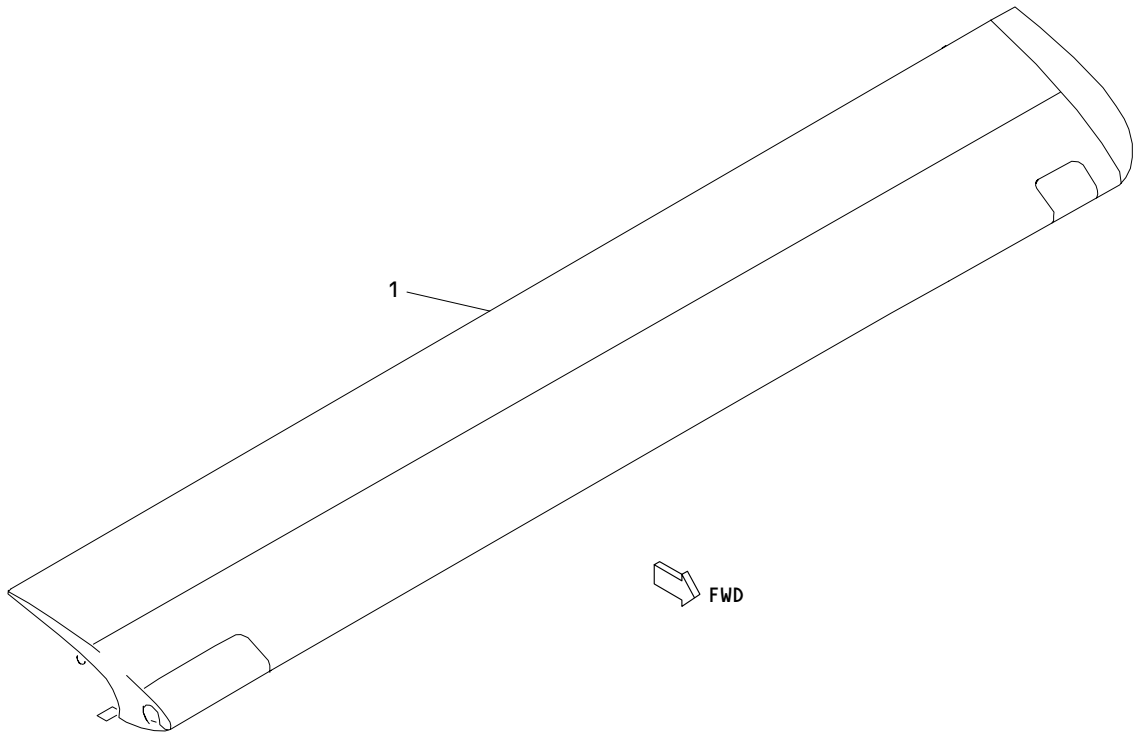
114T4101  
 015T0165  
 015T1507  
 DASH NUMBERS LIMITED

 **BOEING**  
 COMPONENT  
 MAINTENANCE MANUAL

PART NUMBER	AIRLINE PART NO.	FIG.	ITEM	TTL REQ
922007-3 942007-3 96-02		2	546A	3
		2	546A	3
		2	66	2
		2	154	2
		2	264	2
		2	458	6
		2	496	4
		2	506P	2
		2	531D	1
		2	540	5
		2	540G	10
		2	547G	4
		2	569G	2
		2	573D	1
		2	582	10
		2	583	4
		2	609G	2
		2	626	10
		2	786	4
		2	814	2
		2	864	2
		3	66	2
		3	154	2
		3	252	2
		3	416	6
		3	460	6
		3	504	14
		3	546	14
		3	592	10
		3	592H	4
		3	592R	6
		3	696	4
	96-82		2	838A
		2	888A	4
		3	614A	8

**57-43-41**

ILLUSTRATED PARTS LIST  
 01.1 Page 1069  
 Mar 01/04



Outboard Slat No. 1 Wing Leading Edge Structure Assembly  
Figure 1

**57-43-41**

ILLUSTRATED PARTS LIST  
01.1 Page 1070  
Mar 01/04



114T4101  
 015T0165  
 015T1507  
 DASH NUMBERS LIMITED

 **BOEING**  
 COMPONENT  
 MAINTENANCE MANUAL

FIG. & ITEM	PART NO.	AIRLINE PART NUMBER	NOMENCLATURE 1234567	EFF CODE	QTY PER ASSY
01- -1	114T4101-15SP		STRUCTURE ASSY-OUTBD SLAT NO. 1 AND 12 WING LE (LH) (REWORK DWG 114T4181-1) (PRE SB 767-32-0107) (PRE SB 767-32-0095) (PRE SB 767-57A0057) (FOR DETAILS SEE FIG. 2)	A	RF
-1A	114T4101-25SP		STRUCTURE ASSY-OUTBD SLAT NO. 1 AND 12 WING LE (LH) (PRE SB 767-32-0095) (PRE SB 767-57A0057) (FOR DETAILS SEE FIG. 3)	B	RF
-1B	114T4101-27		STRUCTURE ASSY-OUTBD SLAT NO. 1 AND 12 WING LE (VARIABLE) (LH) (REWORK DWG 114T4181-1) (PRE SB 767-57A0057) (FOR DETAILS SEE FIG. 2)	C	RF
-1C	114T4101-29		STRUCTURE ASSY-OUTBD SLAT NO. 1 AND 12 WING LE (VARIABLE) (LH) (PRE SB 767-57A0057) (FOR DETAILS SEE FIG. 2)	D	RF
-1D	114T4101-31SP		STRUCTURE ASSY-OUTBD SLAT NO. 1 AND 12 WING LE (LH) (POST SB 767-32-0107) (PRE SB 767-57A0057) (FOR DETAILS SEE FIG. 2)	Q	RF
-1E	114T4101-33		STRUCTURE ASSY-OUTBD SLAT NO. 1 AND 12 WING LE (VARIABLE) (LH) (PRE SB 767-57A0057) (FOR DETAILS SEE FIG. 2)	F	RF
-1F	114T4101-35		STRUCTURE ASSY-OUTBD SLAT NO. 1 AND 12 WING LE (LH) (POST SB 767-32-0107) (PRE SB 767-57A0057) (FOR DETAILS SEE FIG. 3)	G	RF
-1G	114T4101-37		DELETED		

**57-43-41**

ILLUSTRATED PARTS LIST  
 01.1 Page 1071  
 Mar 01/04

FIG. & ITEM	PART NO.	AIRLINE PART NUMBER	NOMENCLATURE 1234567	EFF CODE	QTY PER ASSY
01- -1H	114T4101-39		STRUCTURE ASSY-OUTBD SLAT NO. 1 AND 12 WING LE (VARIABLE) (LH) (PRE SB 767-57A0057) (FOR DETAILS SEE FIG. 2)	T	RF
-1J	114T4101-41		STRUCTURE ASSY-OUTBD SLAT NO. 1 AND 12 WING LE (VARIABLE) (LH) (PRE SB 767-57A0057) (FOR DETAILS SEE FIG. 3)	V	RF
-1K	015T0165-3		SLAT ASSY-NO. 1 AND 12 WING LE TOP KIT (LH) (POST SB 767-32-0095) (PRE SB 767-57A0057) (FOR DETAILS SEE FIG. 3)	X	RF
-1L	114T4101-43		STRUCTURE ASSY-OUTBD SLAT NO. 1 WING LE (LH) (PRE SB 767-57A0057) (FOR DETAILS SEE FIG. 3)	Z	RF
-1M	114T4101-45		STRUCTURE ASSY-OUTBD SLAT NO. 1 WING LE (LH) (VARIABLE) (PRE SB 767-57A0057) (FOR DETAILS SEE FIG. 3)	L	RF
-1N	114T4101-47		STRUCTURE ASSY-OUTBD SLAT NO. 1 WING LE (LH) (FOR DETAILS SEE FIG. 3)	H	RF
-1P	114T4101-49		DELETED		
-1Q	015T1507-101		STRUCTURE ASSY-OUTBD SLAT NO. 1 AND 12 WING LE (LH) (POST SB 767-57A0057) (FOR DETAILS SEE FIG. 2)	AE	RF
-1R	015T1507-103		STRUCTURE ASSY-OUTBD SLAT NO. 1 AND 12 WING LE (LH) (POST SB 767-57A0057) (FOR DETAILS SEE FIG. 2)	AF	RF
-1S	015T1507-105		STRUCTURE ASSY-OUTBD SLAT NO. 1 AND 12 WING LE (LH) (POST SB 767-57A0057) (FOR DETAILS SEE FIG. 2)	AG	RF
-1T	015T1507-131		STRUCTURE ASSY-OUTBD SLAT NO. 1 AND 12 WING LE (LH) (POST SB 767-57A0057) (FOR DETAILS SEE FIG. 2)	AH	RF

# 57-43-41

 ILLUSTRATED PARTS LIST  
 01.1 Page 1072  
 Mar 01/04

FIG. & ITEM	PART NO.	AIRLINE PART NUMBER	NOMENCLATURE 1234567	EFF CODE	QTY PER ASSY
01- -1U	015T1507-133		STRUCTURE ASSY-OUTBD SLAT NO. 1 AND 12 WING LE (LH) (POST SB 767-57A0057) (FOR DETAILS SEE FIG. 2)	AJ	RF
-1V	015T1507-135		STRUCTURE ASSY-OUTBD SLAT NO. 1 AND 12 WING LE (LH) (POST SB 767-57A0057) (FOR DETAILS SEE FIG. 2)	AK	RF
-1W	015T1507-109		STRUCTURE ASSY-OUTBD SLAT NO. 1 AND 12 WING LE (LH) (POST SB 767-57A0057) (FOR DETAILS SEE FIG. 2)	AL	RF
-1X	015T1507-139		STRUCTURE ASSY-OUTBD SLAT NO. 1 AND 12 WING LE (LH) (POST SB 767-57A0057) (FOR DETAILS SEE FIG. 2)	AM	RF
-1Y	015T1507-111		STRUCTURE ASSY-OUTBD SLAT NO. 1 AND 12 WING LE (LH) (POST SB 767-57A0057) (FOR DETAILS SEE FIG. 2)	AN	RF
-1Z	015T1507-141		STRUCTURE ASSY-OUTBD SLAT NO. 1 AND 12 WING LE (LH) (POST SB 767-57A0057) (FOR DETAILS SEE FIG. 2)	AP	RF
-2	015T1507-113		STRUCTURE ASSY-OUTBD SLAT NO. 1 AND 12 WING LE (LH) (POST SB 767-57A0057) (FOR DETAILS SEE FIG. 2)	AQ	RF
-2A	015T1507-115		STRUCTURE ASSY-OUTBD SLAT NO. 1 AND 12 WING LE (LH) (POST SB 767-57A0057) (FOR DETAILS SEE FIG. 2)	AR	RF
-2B	015T1507-117		STRUCTURE ASSY-OUTBD SLAT NO. 1 AND 12 WING LE (LH) (POST SB 767-57A0057) (FOR DETAILS SEE FIG. 2)	AS	RF
-2C	015T1507-143		STRUCTURE ASSY-OUTBD SLAT NO. 1 AND 12 WING LE (LH) (POST SB 767-57A0057) (FOR DETAILS SEE FIG. 2)	AT	RF
-2D	015T1507-145		STRUCTURE ASSY-OUTBD SLAT NO. 1 AND 12 WING LE (LH) (POST SB 767-57A0057) (FOR DETAILS SEE FIG. 2)	AU	RF

**57-43-41**

ILLUSTRATED PARTS LIST  
 01.1 Page 1073  
 Mar 01/04

FIG. & ITEM	PART NO.	AIRLINE PART NUMBER	NOMENCLATURE 1234567	EFF CODE	QTY PER ASSY
01- -2E	015T1507-147		STRUCTURE ASSY-OUTBD SLAT NO. 1 AND 12 WING LE (LH) (POST SB 767-57A0057) (FOR DETAILS SEE FIG. 2)	AV	RF
-2F	015T1507-119		STRUCTURE ASSY-OUTBD SLAT NO. 1 AND 12 WING LE (LH) (POST SB 767-57A0057) (FOR DETAILS SEE FIG. 2)	AW	RF
-2G	015T1507-149		STRUCTURE ASSY-OUTBD SLAT NO. 1 AND 12 WING LE (LH) (POST SB 767-57A0057) (FOR DETAILS SEE FIG. 2)	AX	RF
-2H	015T1507-123		STRUCTURE ASSY-OUTBD SLAT NO. 1 AND 12 WING LE (LH) (POST SB 767-57A0057) (FOR DETAILS SEE FIG. 2)	AY	RF
-2J	015T1507-153		STRUCTURE ASSY-OUTBD SLAT NO. 1 AND 12 WING LE (LH) (POST SB 767-57A0057) (FOR DETAILS SEE FIG. 2)	AZ	RF
-2K	015T1507-107		STRUCTURE ASSY-OUTBD SLAT NO. 1 AND 12 WING LE (LH) (POST SB 767-57A0057) (FOR DETAILS SEE FIG. 3)	BW	RF
-2L	015T1507-137		STRUCTURE ASSY-OUTBD SLAT NO. 1 AND 12 WING LE (LH) (POST SB 767-57A0057) (FOR DETAILS SEE FIG. 3)	BX	RF
-2M	015T1507-121		STRUCTURE ASSY-OUTBD SLAT NO. 1 AND 12 WING LE (LH) (POST SB 767-57A0057) (FOR DETAILS SEE FIG. 3)	BY	RF
-2N	015T1507-151		STRUCTURE ASSY-OUTBD SLAT NO. 1 AND 12 WING LE (LH) (POST SB 767-57A0057) (FOR DETAILS SEE FIG. 3)	BZ	RF
-2P	015T1507-125		STRUCTURE ASSY-OUTBD SLAT NO. 1 AND 12 WING LE (LH) (POST SB 767-57A0057) (FOR DETAILS SEE FIG. 3)	CA	RF
-2Q	015T1507-155		STRUCTURE ASSY-OUTBD SLAT NO. 1 AND 12 WING LE (LH) (POST SB 767-57A0057) (FOR DETAILS SEE FIG. 3)	CB	RF

# 57-43-41

 ILLUSTRATED PARTS LIST  
 01.1 Page 1074  
 Mar 01/04

FIG. & ITEM	PART NO.	AIRLINE PART NUMBER	NOMENCLATURE 1234567	EFF CODE	QTY PER ASSY
01- -2R	015T1507-161		STRUCTURE ASSY-OUTBD SLAT NO. 1 AND 12 WING LE (LH) (POST SB 767-57A0057) (FOR DETAILS SEE FIG. 3)	CC	RF
-2S	015T1507-163		STRUCTURE ASSY-OUTBD SLAT NO. 1 AND 12 WING LE (LH) (POST SB 767-57A0057) (FOR DETAILS SEE FIG. 3)	CD	RF
-2T	015T1507-127		STRUCTURE ASSY-OUTBD SLAT NO. 1 AND 12 WING LE (LH) (POST SB 767-57A0057) (FOR DETAILS SEE FIG. 3)	CE	RF
-2U	015T1507-157		STRUCTURE ASSY-OUTBD SLAT NO. 1 AND 12 WING LE (LH) (POST SB 767-57A0057) (FOR DETAILS SEE FIG. 3)	CF	RF
-2V	015T1507-129		STRUCTURE ASSY-OUTBD SLAT NO. 1 AND 12 WING LE (LH) (POST SB 767-57A0057) (FOR DETAILS SEE FIG. 3)	CG	RF
-2W	015T1507-159		STRUCTURE ASSY-OUTBD SLAT NO. 1 AND 12 WING LE (LH) (POST SB 767-57A0057) (FOR DETAILS SEE FIG. 3)	CH	RF
-2X	114T4101-51SP		STRUCTURE ASSY-OUTBD SLAT NO. 1 WING LE (LH) (FOR DETAILS SEE FIG. 3)	CW	RF
-2Y	114T4101-53SP		STRUCTURE ASSY-OUTBD SLAT NO. 1 WING LE (LH) (FOR DETAILS SEE FIG. 3)	CX	RF
-2Z	114T4101-401SP		DELETED		
-3	114T4101-57SP		DELETED		
-3A	114T4101-57G		STRUCTURE ASSY-OUTBD SLAT NO. 1 WING LE (LH) (FOR DETAILS SEE FIG. 3)	AC	RF
-3B	114T4101-401G		STRUCTURE ASSY-OUTBD SLAT NO. 1 WING LE (LH) (FOR DETAILS SEE FIG. 3)	CY	RF
-3C	114T4101-409G		STRUCTURE ASSY-OUTBD SLAT NO. 1 WING LE (LH) (FOR DETAILS SEE FIG. 3)	DC	RF
-3D	114T4101-59G		STRUCTURE ASSY-OUTBD SLAT NO. 1 WING LE (LH) (FOR DETAILS SEE FIG. 3)	DE	RF

57-43-41

FIG. & ITEM	PART NO.	AIRLINE PART NUMBER	NOMENCLATURE 1234567	EFF CODE	QTY PER ASSY
01- -3E	114T4101-61G		STRUCTURE ASSY-OUTBD SLAT NO. 1 WING LE (LH) (FOR DETAILS SEE FIG. 3)	DG	RF
-3F	114T4101-63G		STRUCTURE ASSY-OUTBD SLAT NO. 1 WING LE (LH) (FOR DETAILS SEE FIG. 3)	DJ	RF
R -3G	114T4101-411G		STRUCTURE ASSY-OUTBD SLAT NO. 1 WING LE (LH) (FOR DETAILS SEE FIG. 3)	DL	RF
-5	114T4101-16SP		STRUCTURE ASSY-OUTBD SLAT NO. 1 AND 12 WING LE (RH) (REWORK DWG 114T4181-2) (PRE SB 767-32-0107) (PRE SB 767-32-0095) (PRE SB 767-57A0057) (FOR DETAILS SEE FIG. 2)	M	RF
-5A	114T4101-26SP		STRUCTURE ASSY-OUTBD SLAT NO. 1 AND 12 WING LE (RH) (PRE SB 767-32-0095) (PRE SB 767-57A0057) (FOR DETAILS SEE FIG. 3)	N	RF
-5B	114T4101-28		STRUCTURE ASSY-OUTBD SLAT NO. 1 AND 12 WING LE (VARIABLE) (RH) (REWORK DWG 114T4181-2) (PRE SB 767-57A0057) (FOR DETAILS SEE FIG. 2)	P	RF
-5C	114T4101-30		STRUCTURE ASSY-OUTBD SLAT NO. 1 AND 12 WING LE (VARIABLE) (RH) (PRE SB 767-57A0057) (FOR DETAILS SEE FIG. 2)	E	RF
-5D	114T4101-32SP		STRUCTURE ASSY-OUTBD SLAT NO. 1 AND 12 WING LE (RH) (POST SB 767-32-0107) (PRE SB 767-57A0057) (FOR DETAILS SEE FIG. 2)	R	RF
-5E	114T4101-34		STRUCTURE ASSY-OUTBD SLAT NO. 1 AND 12 WING LE (VARIABLE) (RH) (PRE SB 767-57A0057) (FOR DETAILS SEE FIG. 2)	S	RF

# 57-43-41

 ILLUSTRATED PARTS LIST  
 01.1 Page 1076  
 Mar 01/04

114T4101  
 015T0165  
 015T1507  
 DASH NUMBERS LIMITED

 **BOEING**  
 COMPONENT  
 MAINTENANCE MANUAL

FIG. & ITEM	PART NO.	AIRLINE PART NUMBER	NOMENCLATURE 1234567	EFF CODE	QTY PER ASSY
01- -5F	114T4101-36		STRUCTURE ASSY-OUTBD SLAT NO. 1 AND 12 WING LE (RH) (POST SB 767-32-0107) (PRE SB 767-57A0057) (FOR DETAILS SEE FIG. 3)	J	RF
-5G -5H	114T4101-38 114T4101-40		DELETED STRUCTURE ASSY-OUTBD SLAT NO. 1 AND 12 WING LE (VARIABLE) (RH) (PRE SB 767-57A0057) (FOR DETAILS SEE FIG. 2)	U	RF
-5J	114T4101-42		STRUCTURE ASSY-OUTBD SLAT NO. 1 AND 12 WING LE (VARIABLE) (RH) (PRE SB 767-57A0057) (FOR DETAILS SEE FIG. 3)	W	RF
-5K	015T0165-4		SLAT ASSY-NO. 1 AND 12 WING LE TOP KIT (RH) (POST SB 767-32-0095) (PRE SB 767-57A0057) (FOR DETAILS SEE FIG. 3)	Y	RF
-5L	114T4101-44		STRUCTURE ASSY-OUTBD SLAT NO. 12 WING LE (RH) (PRE SB 767-57A0057) (FOR DETAILS SEE FIG. 3)	AA	RF
-5M	114T4101-46		STRUCTURE ASSY-OUTBD SLAT NO. 12 WING LE (RH) (VARIABLE) (PRE SB 767-57A0057) (FOR DETAILS SEE FIG. 3)	AB	RF
-5N	114T4101-48		STRUCTURE ASSY-OUTBD SLAT NO. 12 WING LE (RH) (FOR DETAILS SEE FIG. 3)	K	RF
-5P -5Q	114T4101-50 015T1507-102		DELETED STRUCTURE ASSY-OUTBD SLAT NO. 1 AND 12 WING LE (RH) (POST SB 767-57A0057) (FOR DETAILS SEE FIG. 2)	BA	RF
-5R	015T1507-104		STRUCTURE ASSY-OUTBD SLAT NO. 1 AND 12 WING LE (RH) (POST SB 767-57A0057) (FOR DETAILS SEE FIG. 2)	BB	RF

**57-43-41**

ILLUSTRATED PARTS LIST  
 01.1 Page 1077  
 Mar 01/04

FIG. & ITEM	PART NO.	AIRLINE PART NUMBER	NOMENCLATURE 1234567	EFF CODE	QTY PER ASSY
01- -5S	015T1507-106		STRUCTURE ASSY-OUTBD SLAT NO. 1 AND 12 WING LE (RH) (POST SB 767-57A0057) (FOR DETAILS SEE FIG. 2)	BC	RF
-5T	015T1507-132		STRUCTURE ASSY-OUTBD SLAT NO. 1 AND 12 WING LE (RH) (POST SB 767-57A0057) (FOR DETAILS SEE FIG. 2)	BD	RF
-5U	015T1507-134		STRUCTURE ASSY-OUTBD SLAT NO. 1 AND 12 WING LE (RH) (POST SB 767-57A0057) (FOR DETAILS SEE FIG. 2)	BE	RF
-5V	015T1507-136		STRUCTURE ASSY-OUTBD SLAT NO. 1 AND 12 WING LE (RH) (POST SB 767-57A0057) (FOR DETAILS SEE FIG. 2)	BF	RF
-5W	015T1507-110		STRUCTURE ASSY-OUTBD SLAT NO. 1 AND 12 WING LE (RH) (POST SB 767-57A0057) (FOR DETAILS SEE FIG. 2)	BG	RF
-5X	015T1507-140		STRUCTURE ASSY-OUTBD SLAT NO. 1 AND 12 WING LE (RH) (POST SB 767-57A0057) (FOR DETAILS SEE FIG. 2)	BH	RF
-5Y	015T1507-112		STRUCTURE ASSY-OUTBD SLAT NO. 1 AND 12 WING LE (RH) (POST SB 767-57A0057) (FOR DETAILS SEE FIG. 2)	BJ	RF
-5Z	015T1507-142		STRUCTURE ASSY-OUTBD SLAT NO. 1 AND 12 WING LE (RH) (POST SB 767-57A0057) (FOR DETAILS SEE FIG. 2)	BK	RF
-6	015T1507-114		STRUCTURE ASSY-OUTBD SLAT NO. 1 AND 12 WING LE (RH) (POST SB 767-57A0057) (FOR DETAILS SEE FIG. 2)	BL	RF
-6A	015T1507-116		STRUCTURE ASSY-OUTBD SLAT NO. 1 AND 12 WING LE (RH) (POST SB 767-57A0057) (FOR DETAILS SEE FIG. 2)	BM	RF
-6B	015T1507-118		STRUCTURE ASSY-OUTBD SLAT NO. 1 AND 12 WING LE (RH) (POST SB 767-57A0057) (FOR DETAILS SEE FIG. 2)	BN	RF

# 57-43-41

 ILLUSTRATED PARTS LIST  
 01.1 Page 1078  
 Mar 01/04



FIG. & ITEM	PART NO.	AIRLINE PART NUMBER	NOMENCLATURE 1234567	EFF CODE	QTY PER ASSY
01- -6C	015T1507-144		STRUCTURE ASSY-OUTBD SLAT NO. 1 AND 12 WING LE (RH) (POST SB 767-57A0057) (FOR DETAILS SEE FIG. 2)	BP	RF
-6D	015T1507-146		STRUCTURE ASSY-OUTBD SLAT NO. 1 AND 12 WING LE (RH) (POST SB 767-57A0057) (FOR DETAILS SEE FIG. 2)	BQ	RF
-6E	015T1507-148		STRUCTURE ASSY-OUTBD SLAT NO. 1 AND 12 WING LE (RH) (POST SB 767-57A0057) (FOR DETAILS SEE FIG. 2)	BR	RF
-6F	015T1507-120		STRUCTURE ASSY-OUTBD SLAT NO. 1 AND 12 WING LE (RH) (POST SB 767-57A0057) (FOR DETAILS SEE FIG. 2)	BS	RF
-6G	015T1507-150		STRUCTURE ASSY-OUTBD SLAT NO. 1 AND 12 WING LE (RH) (POST SB 767-57A0057) (FOR DETAILS SEE FIG. 2)	BT	RF
-6H	015T1507-124		STRUCTURE ASSY-OUTBD SLAT NO. 1 AND 12 WING LE (RH) (POST SB 767-57A0057) (FOR DETAILS SEE FIG. 2)	BU	RF
-6J	015T1507-154		STRUCTURE ASSY-OUTBD SLAT NO. 1 AND 12 WING LE (RH) (POST SB 767-57A0057) (FOR DETAILS SEE FIG. 2)	BV	RF
-6K	015T1507-108		STRUCTURE ASSY-OUTBD SLAT NO. 1 AND 12 WING LE (RH) (POST SB 767-57A0057) (FOR DETAILS SEE FIG. 3)	CJ	RF
-6L	015T1507-138		STRUCTURE ASSY-OUTBD SLAT NO. 1 AND 12 WING LE (RH) (POST SB 767-57A0057) (FOR DETAILS SEE FIG. 3)	CK	RF
-6M	015T1507-122		STRUCTURE ASSY-OUTBD SLAT NO. 1 AND 12 WING LE (RH) (POST SB 767-57A0057) (FOR DETAILS SEE FIG. 3)	CL	RF
-6N	015T1507-152		STRUCTURE ASSY-OUTBD SLAT NO. 1 AND 12 WING LE (RH) (POST SB 767-57A0057) (FOR DETAILS SEE FIG. 3)	CM	RF

**57-43-41**

ILLUSTRATED PARTS LIST  
 01.1 Page 1079  
 Mar 01/04

FIG. & ITEM	PART NO.	AIRLINE PART NUMBER	NOMENCLATURE 1234567	EFF CODE	QTY PER ASSY
01- -6P	015T1507-126		STRUCTURE ASSY-OUTBD SLAT NO. 1 AND 12 WING LE (RH) (POST SB 767-57A0057) (FOR DETAILS SEE FIG. 3)	CN	RF
-6Q	015T1507-156		STRUCTURE ASSY-OUTBD SLAT NO. 1 AND 12 WING LE (RH) (POST SB 767-57A0057) (FOR DETAILS SEE FIG. 3)	CP	RF
-6R	015T1507-162		STRUCTURE ASSY-OUTBD SLAT NO. 1 AND 12 WING LE (RH) (POST SB 767-57A0057) (FOR DETAILS SEE FIG. 3)	CQ	RF
-6S	015T1507-164		STRUCTURE ASSY-OUTBD SLAT NO. 1 AND 12 WING LE (RH) (POST SB 767-57A0057) (FOR DETAILS SEE FIG. 3)	CR	RF
-6T	015T1507-128		STRUCTURE ASSY-OUTBD SLAT NO. 1 AND 12 WING LE (RH) (POST SB 767-57A0057) (FOR DETAILS SEE FIG. 3)	CS	RF
-6U	015T1507-158		STRUCTURE ASSY-OUTBD SLAT NO. 1 AND 12 WING LE (RH) (POST SB 767-57A0057) (FOR DETAILS SEE FIG. 3)	CT	RF
-6V	015T1507-130		STRUCTURE ASSY-OUTBD SLAT NO. 1 AND 12 WING LE (RH) (POST SB 767-57A0057) (FOR DETAILS SEE FIG. 3)	CU	RF
-6W	015T1507-160		STRUCTURE ASSY-OUTBD SLAT NO. 1 AND 12 WING LE (RH) (POST SB 767-57A0057) (FOR DETAILS SEE FIG. 3)	CV	RF
-6X	114T4101-52SP		STRUCTURE ASSY-OUTBD SLAT NO. 12 WING LE (RH) (FOR DETAILS SEE FIG. 3)	CZ	RF
-6Y	114T4101-54SP		STRUCTURE ASSY-OUTBD SLAT NO. 12 WING LE (RH) (FOR DETAILS SEE FIG. 3)	DA	RF
-6Z	114T4101-402SP		DELETED		
-7	114T4101-58SP		DELETED		
-7A	114T4101-58G		STRUCTURE ASSY-OUTBD SLAT NO. 12 WING LE (RH) (FOR DETAILS SEE FIG. 3)	AD	RF

# 57-43-41

 ILLUSTRATED PARTS LIST  
 01.1 Page 1080  
 Mar 01/04

114T4101  
 015T0165  
 015T1507  
 DASH NUMBERS LIMITED

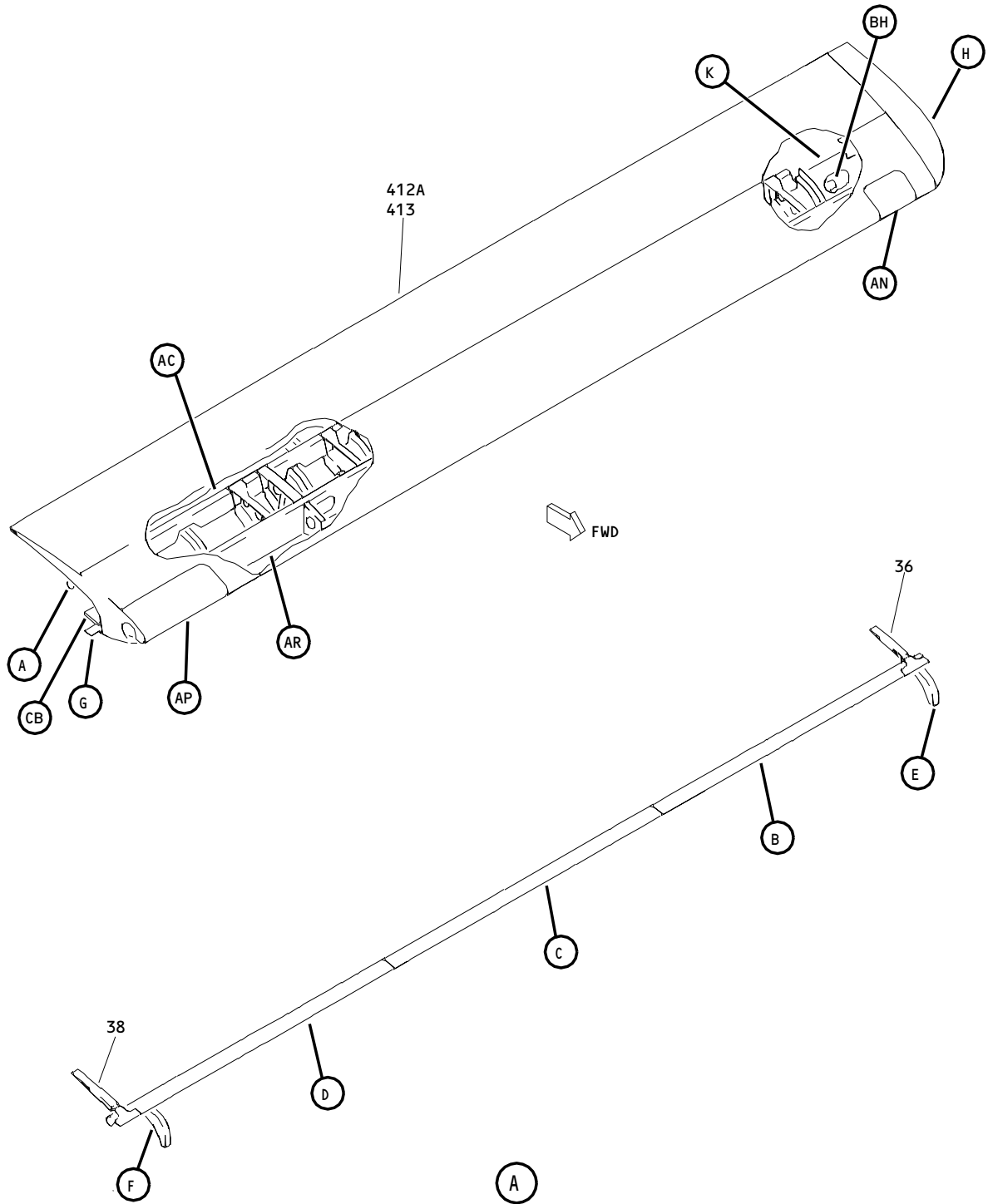
 **BOEING**  
 COMPONENT  
 MAINTENANCE MANUAL

FIG. & ITEM	PART NO.	AIRLINE PART NUMBER	NOMENCLATURE 1234567	EFF CODE	QTY PER ASSY
01- -7B	114T4101-402G		STRUCTURE ASSY-OUTBD SLAT NO. 12 WING LE (RH) (FOR DETAILS SEE FIG. 3)	DB	RF
-7C	114T4101-410G		STRUCTURE ASSY-OUTBD SLAT NO. 12 WING LE (RH) (FOR DETAILS SEE FIG. 3)	DD	RF
-7D	114T4101-60G		STRUCTURE ASSY-OUTBD SLAT NO. 12 WING LE (RH) (FOR DETAILS SEE FIG. 3)	DF	RF
-7E	114T4101-62G		STRUCTURE ASSY-OUTBD SLAT NO. 12 WING LE (RH) (FOR DETAILS SEE FIG. 3)	DH	RF
-7F	114T4101-64G		STRUCTURE ASSY-OUTBD SLAT NO. 12 WING LE (RH) (FOR DETAILS SEE FIG. 3)	DK	RF
R -7G	114T4101-412G		STRUCTURE ASSY-OUTBD SLAT NO. 12 WING LE (RH) (FOR DETAILS SEE FIG. 3)	DM	RF

- Item Not Illustrated

**57-43-41**

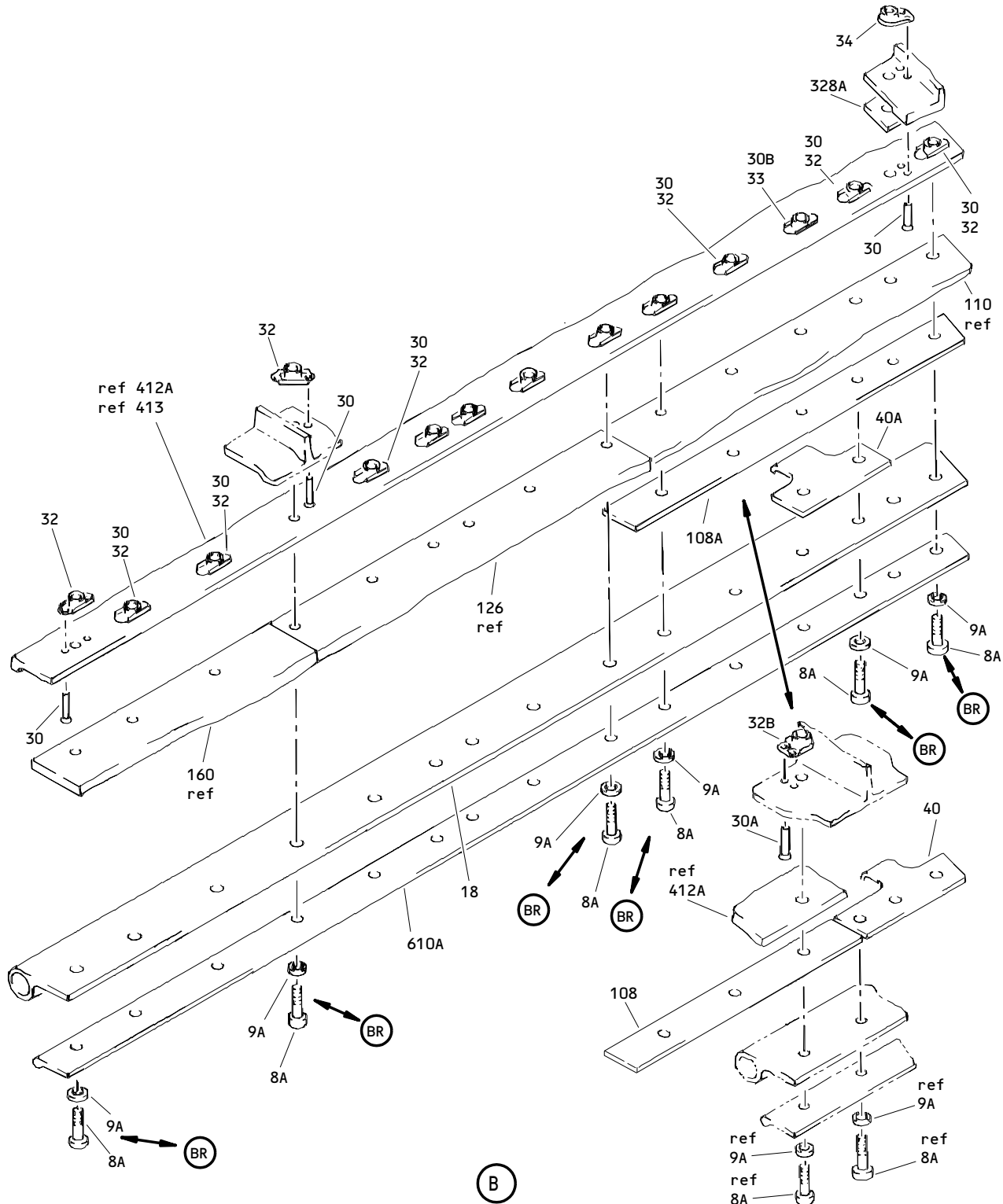
ILLUSTRATED PARTS LIST  
 01.1 Page 1080A  
 Mar 01/04



Outboard Slat No. 1 Wing Leading Edge Structure Assembly  
Figure 2 (Sheet 1)

**57-43-41**

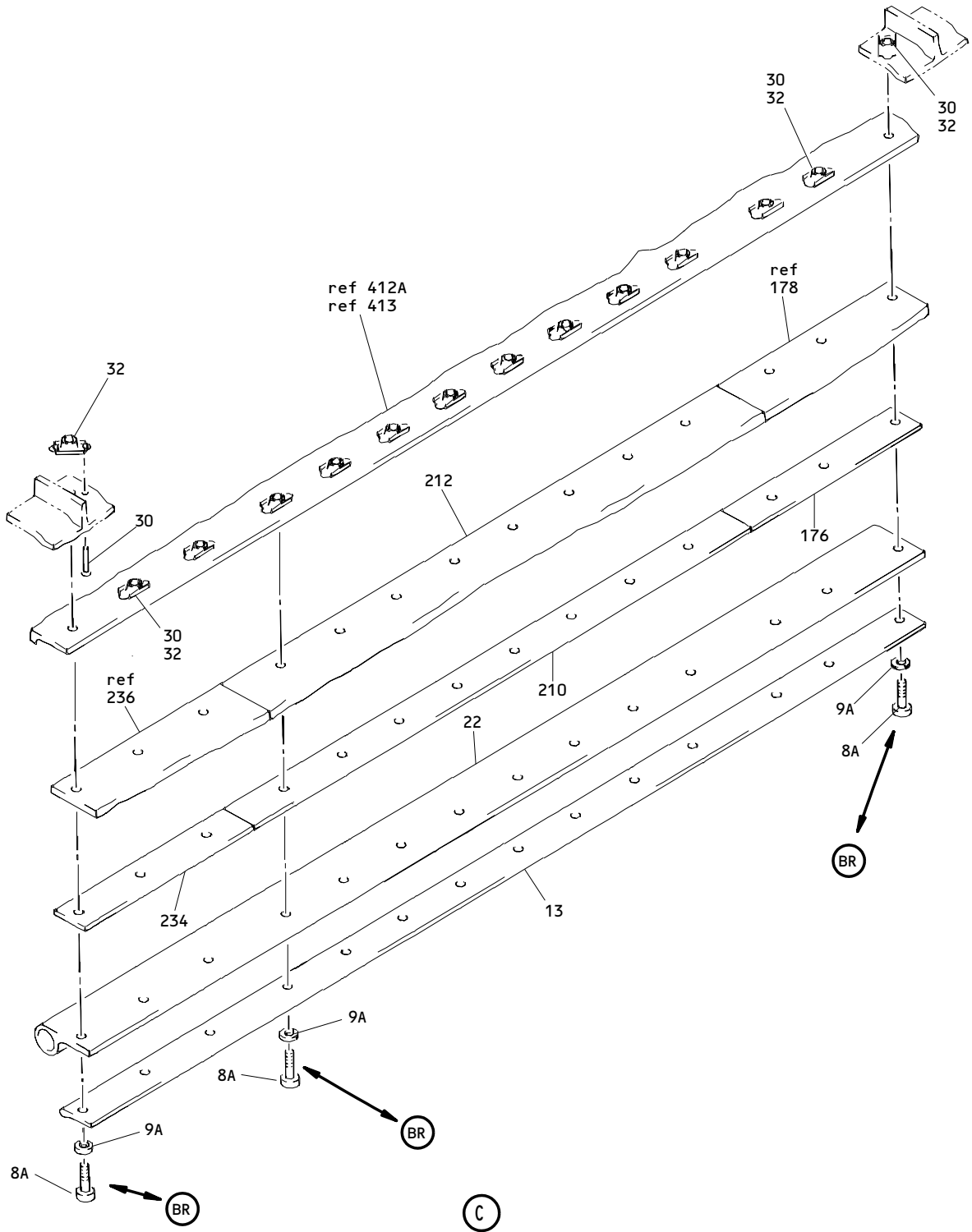
ILLUSTRATED PARTS LIST  
01.1 Page 1080C  
Mar 01/04



Outboard Slat No. 1 Wing Leading Edge Structure Assembly  
 Figure 2 (Sheet 2)

**57-43-41**

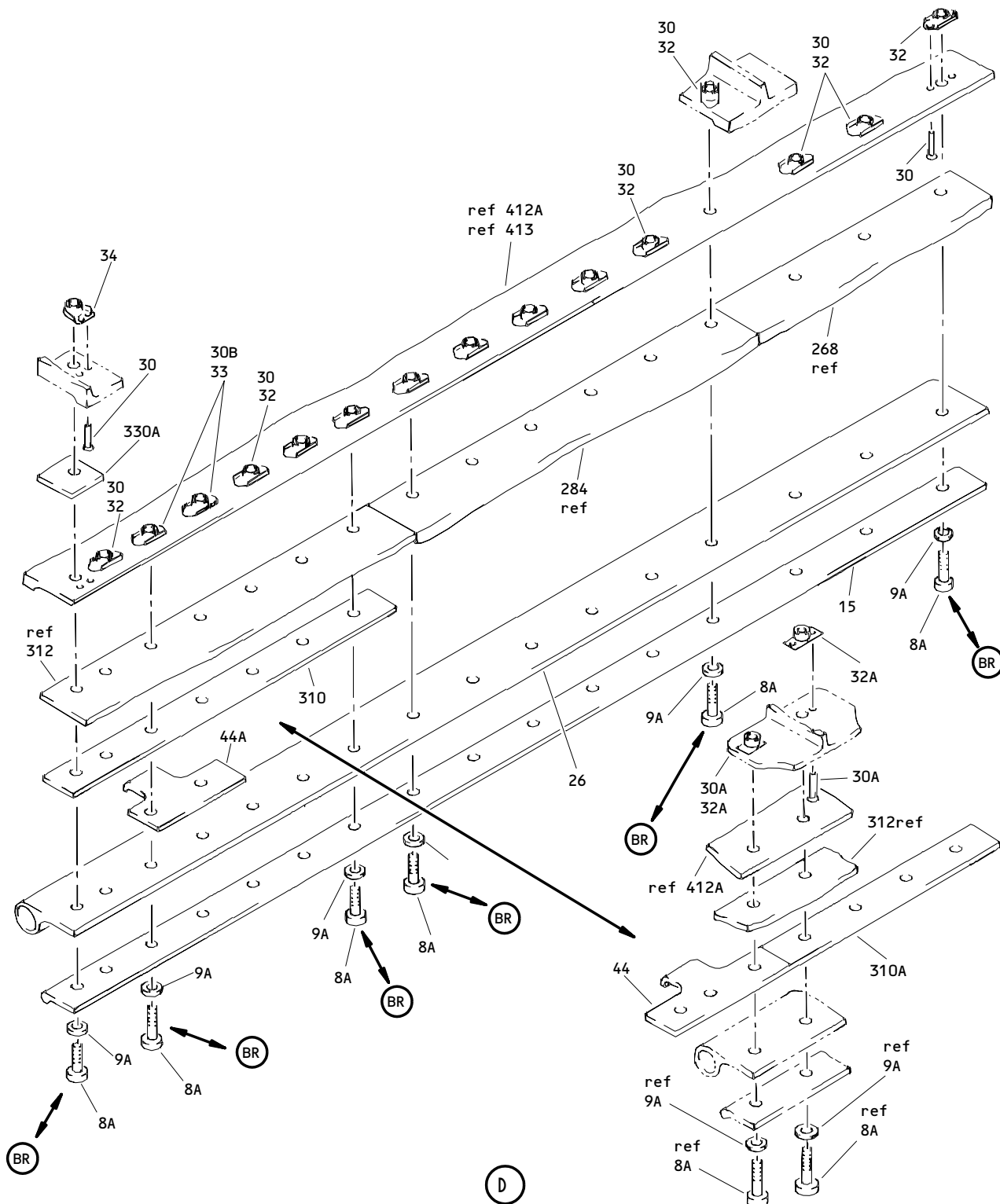
ILLUSTRATED PARTS LIST  
 01.1 Page 1080D  
 Mar 01/04



Outboard Slat No. 1 Wing Leading Edge Structure Assembly  
Figure 2 (Sheet 3)

**57-43-41**

ILLUSTRATED PARTS LIST  
01.1 Page 1080E  
Mar 01/04

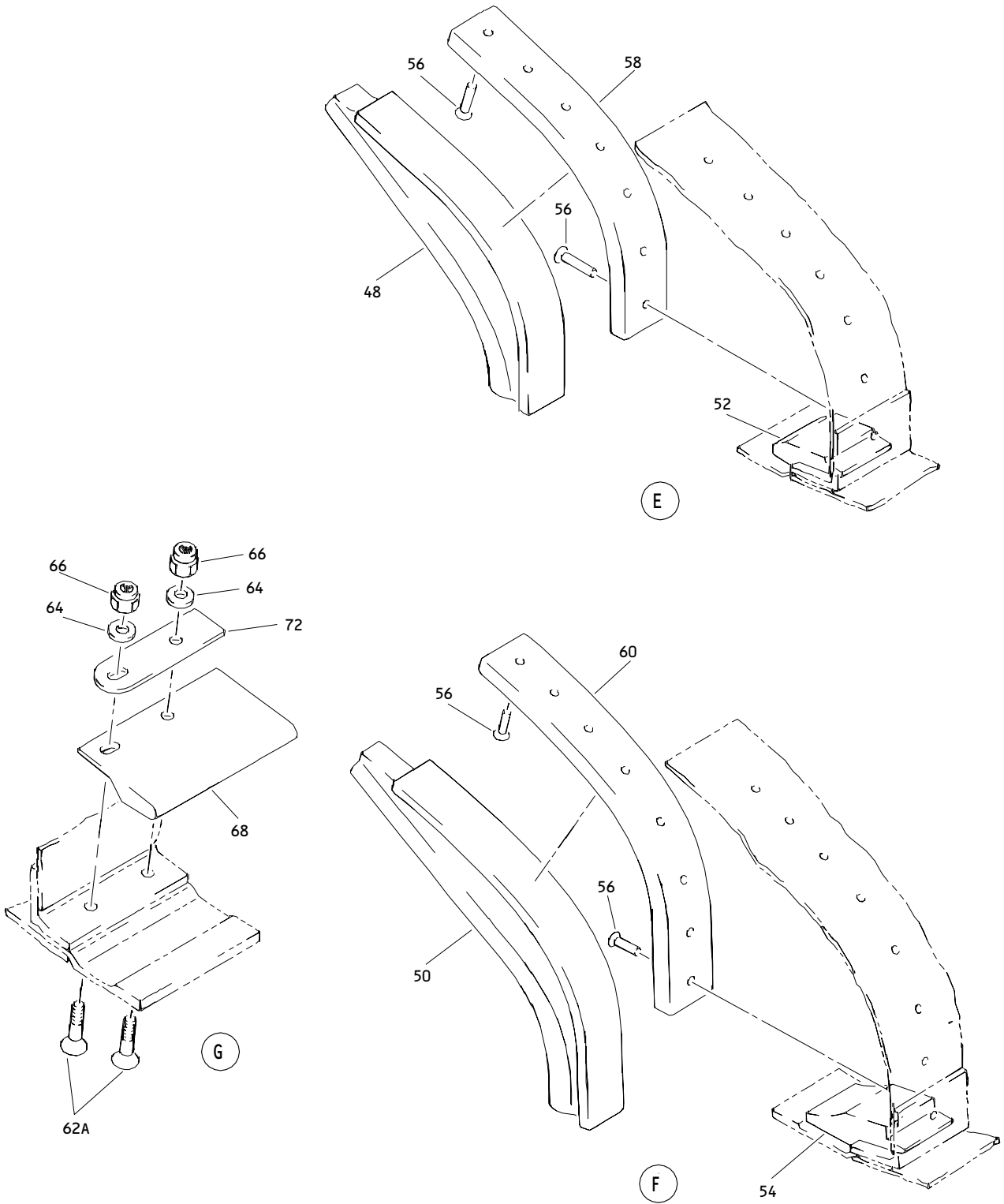


Outboard Slat No. 1 Wing Leading Edge Structure Assembly  
 Figure 2 (Sheet 4)

**57-43-41**

ILLUSTRATED PARTS LIST  
 01.1 Page 1080F  
 Mar 01/04

T73798

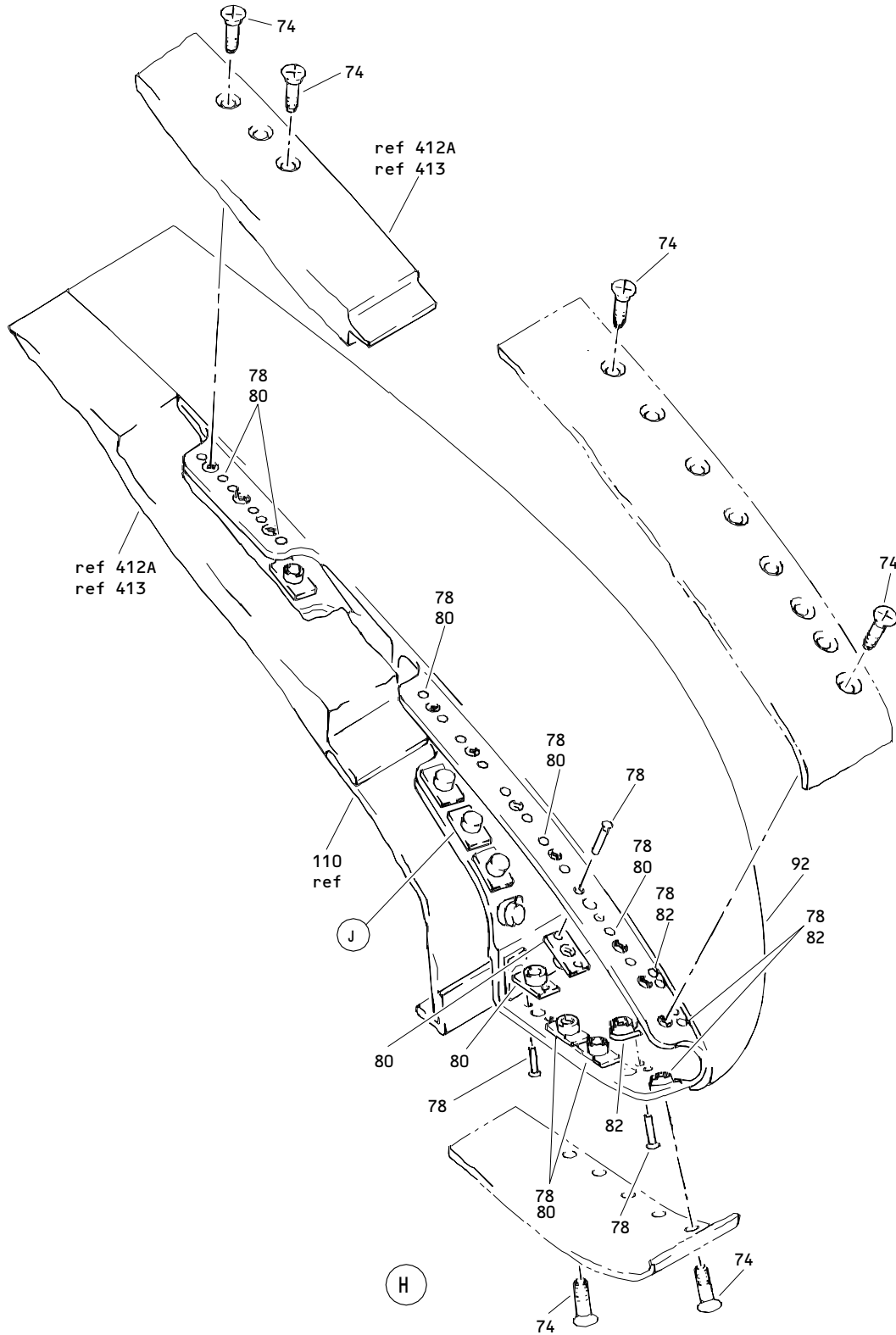


Outboard Slat No. 1 Wing Leading Edge Structure Assembly  
Figure 2 (Sheet 5)

**57-43-41**

ILLUSTRATED PARTS LIST  
01.1 Page 1080G  
Mar 01/04

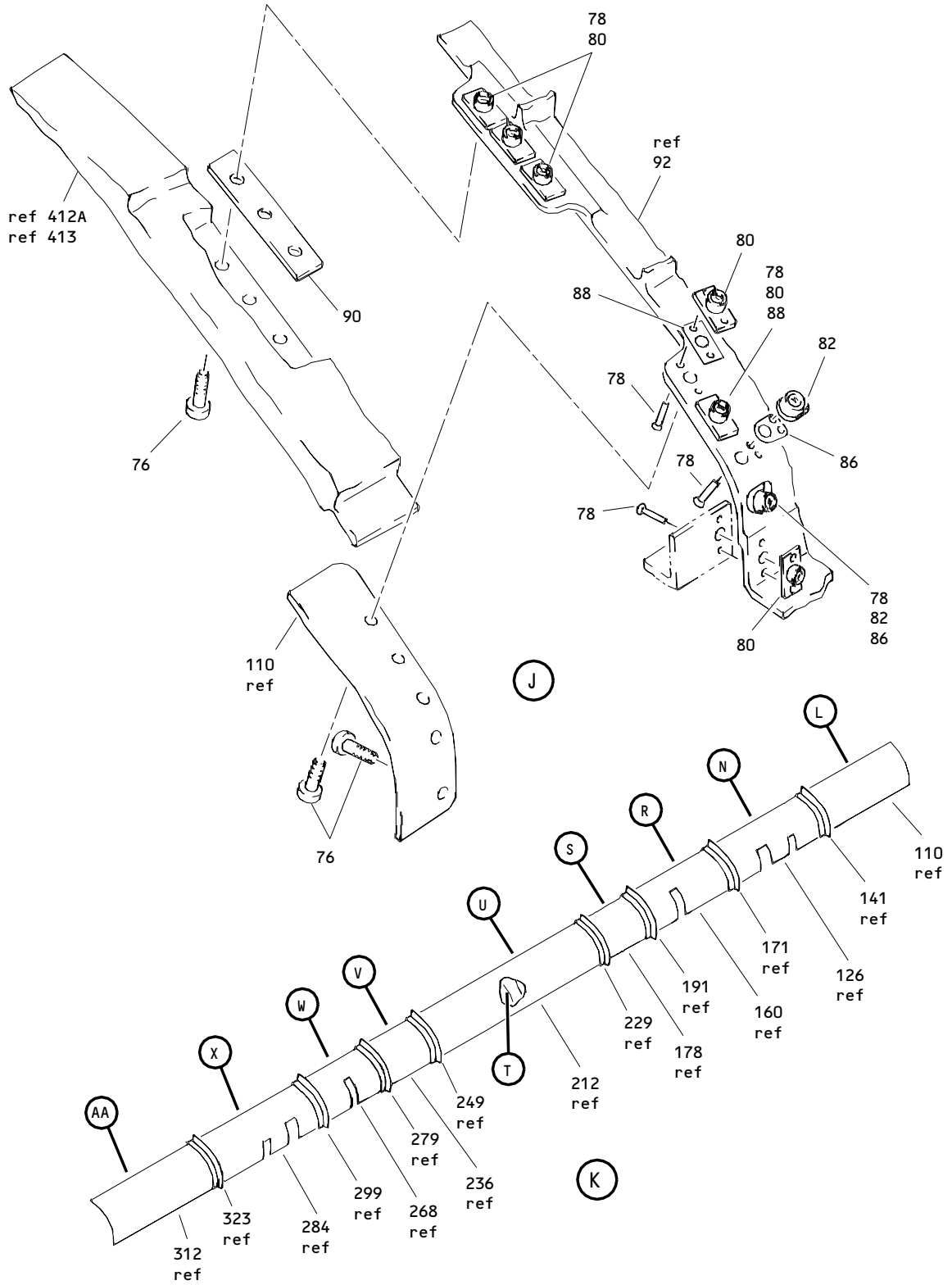




Outboard Slat No. 1 Wing Leading Edge Structure Assembly  
 Figure 2 (Sheet 6)

**57-43-41**

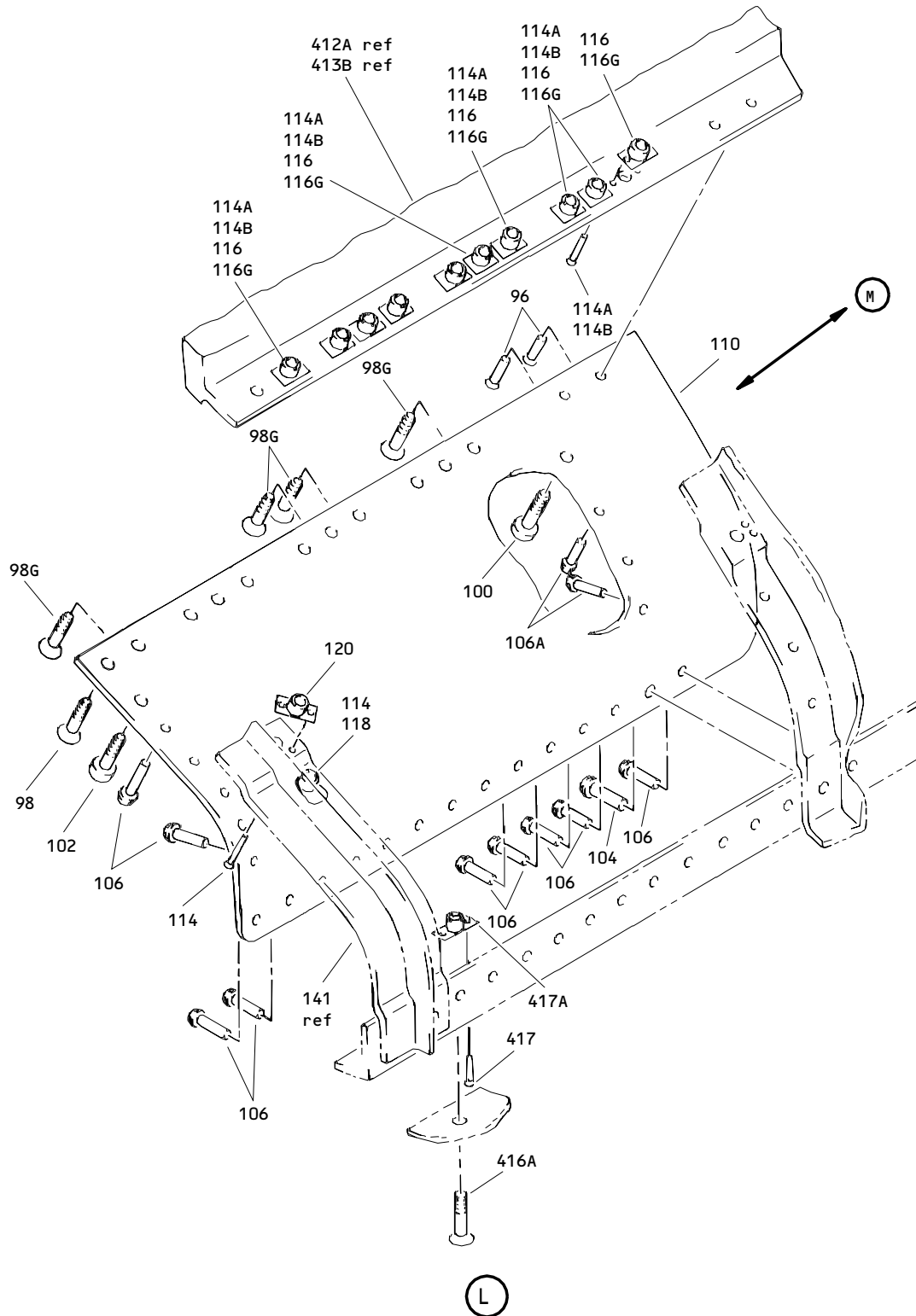
ILLUSTRATED PARTS LIST  
 01.1 Page 1080H  
 Mar 01/04



Outboard Slat No. 1 Wing Leading Edge Structure Assembly  
 Figure 2 (Sheet 7)

**57-43-41**

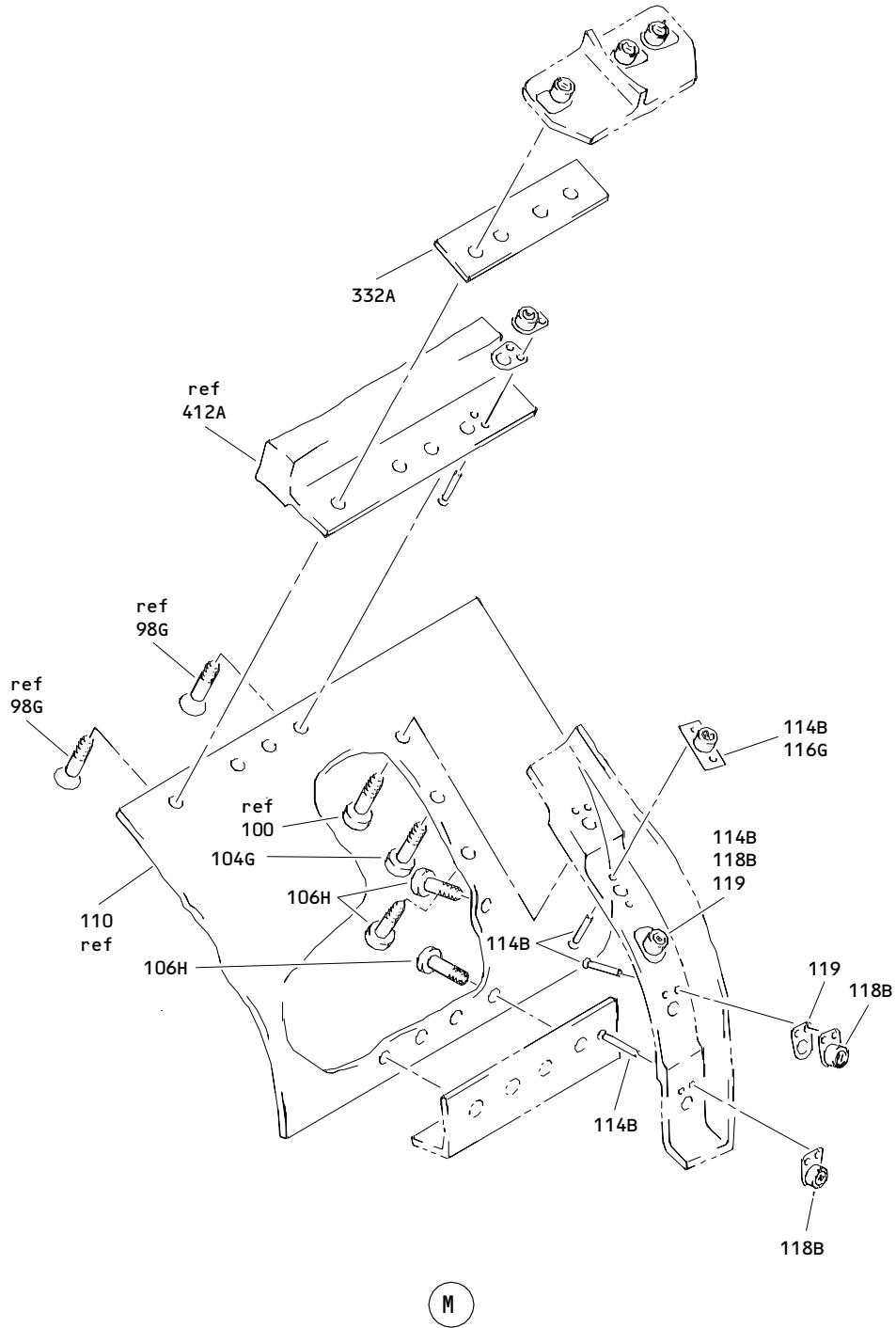
ILLUSTRATED PARTS LIST  
 01.1 Page 1080I  
 Mar 01/04



Outboard Slat No. 1 Wing Leading Edge Structure Assembly  
 Figure 2 (Sheet 8)

**57-43-41**

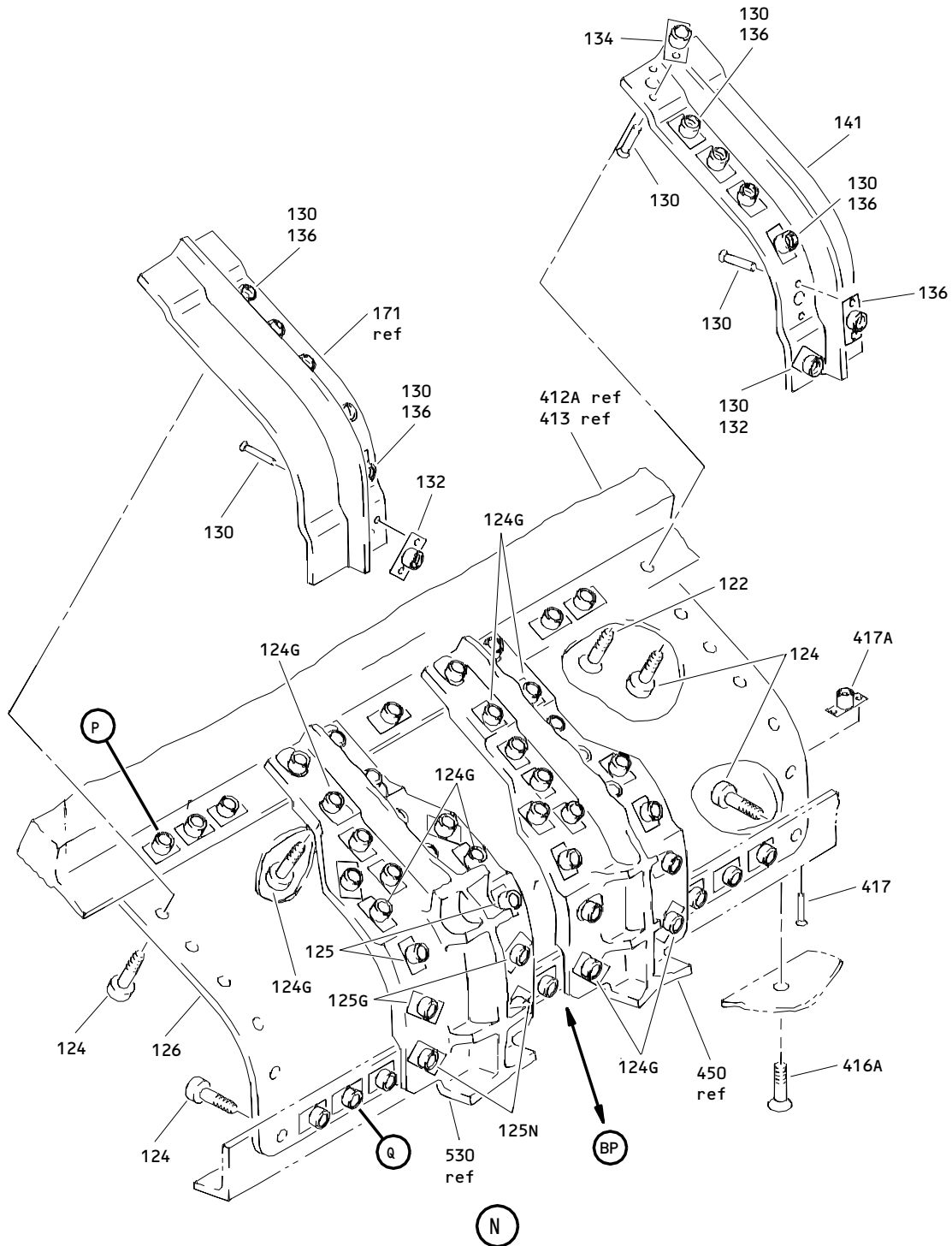
ILLUSTRATED PARTS LIST  
 01.1 Page 1080J  
 Mar 01/04



Outboard Slat No. 1 Wing Leading Edge Structure Assembly  
Figure 2 (Sheet 9)

**57-43-41**

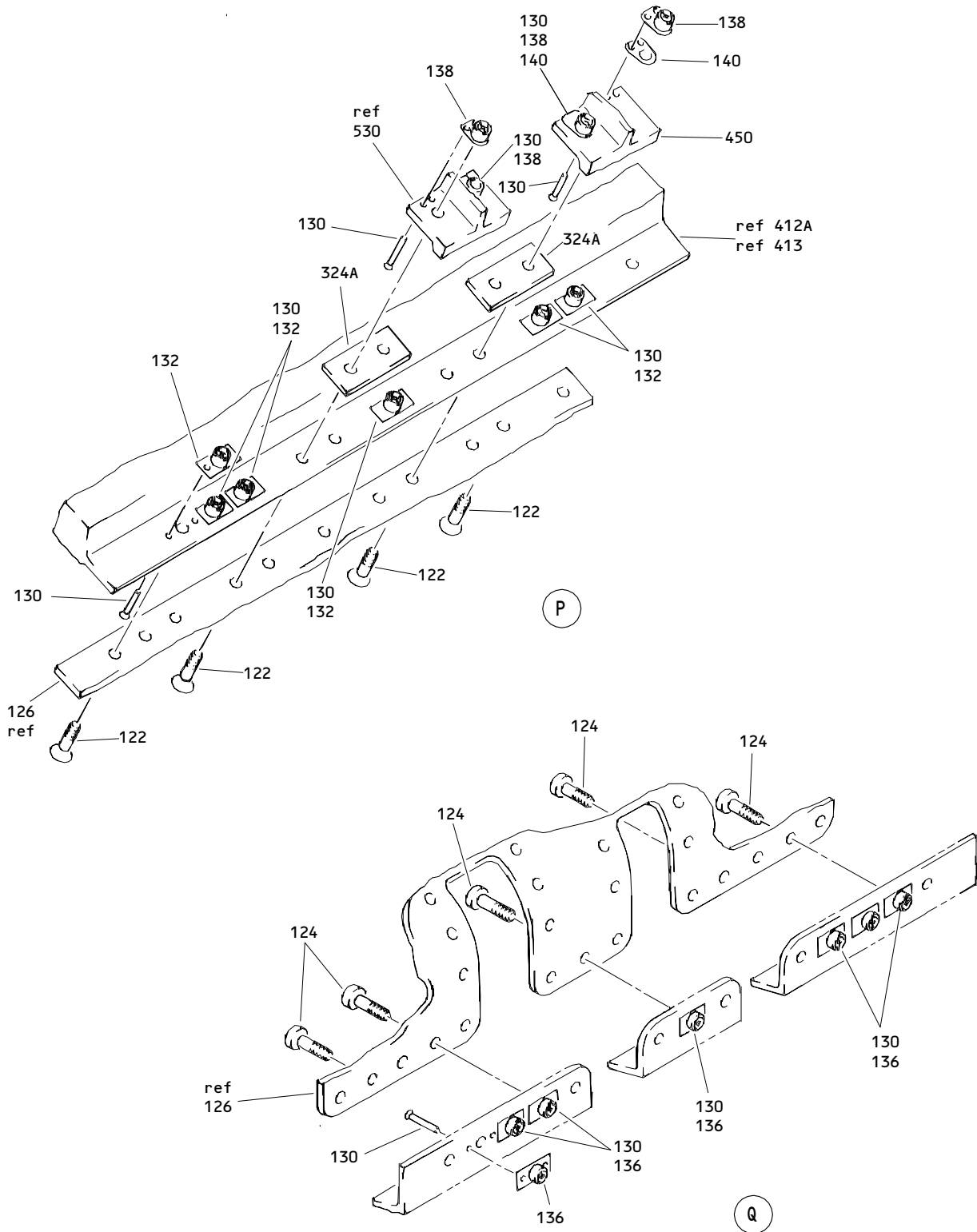
ILLUSTRATED PARTS LIST  
01.1 Page 1080K  
Mar 01/04



Outboard Slat No. 1 Wing Leading Edge Structure Assembly  
 Figure 2 (Sheet 10)

**57-43-41**

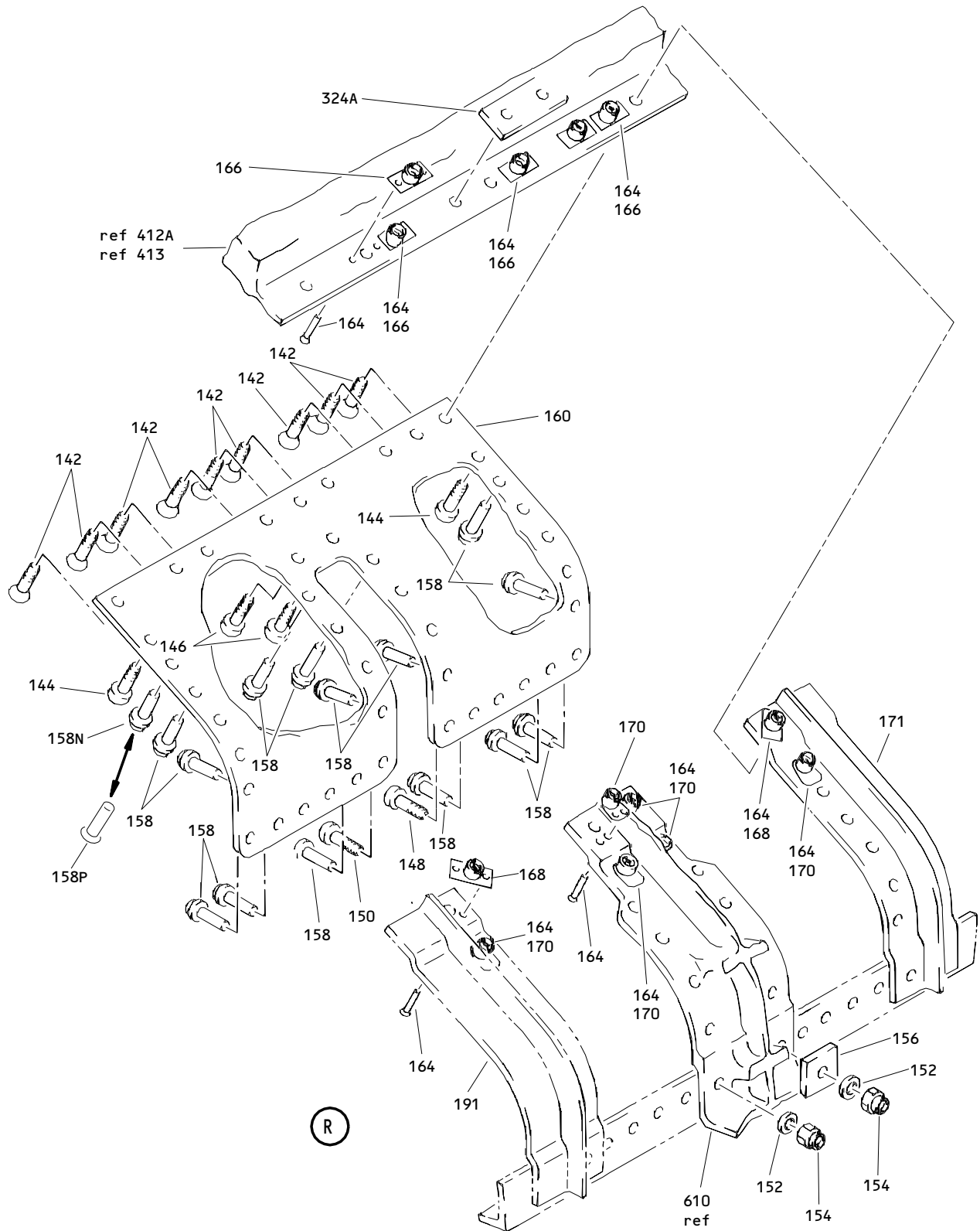
ILLUSTRATED PARTS LIST  
 01.1 Page 1080L  
 Mar 01/04



Outboard Slat No. 1 Wing Leading Edge Structure Assembly  
 Figure 2 (Sheet 11)

**57-43-41**

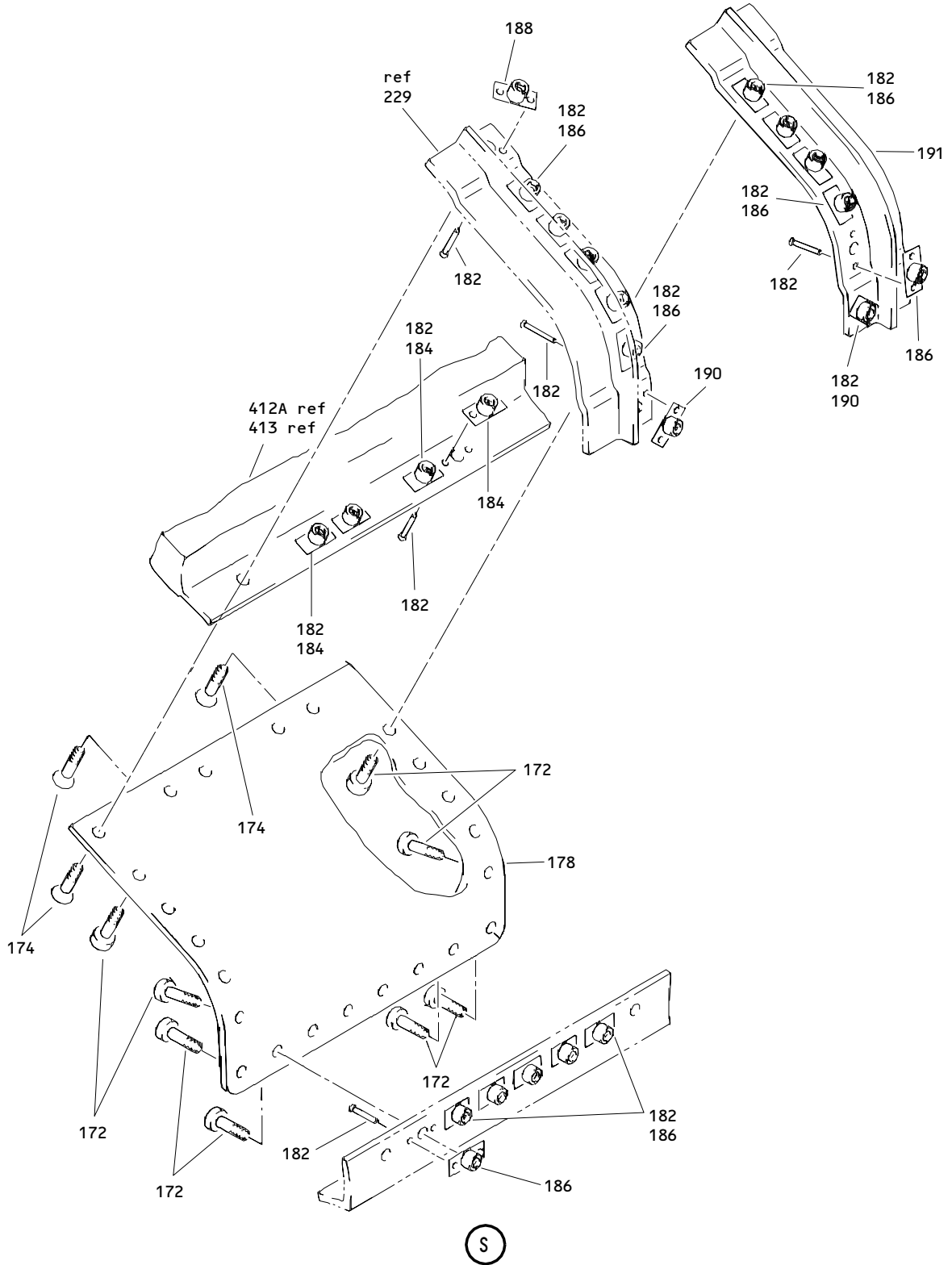
ILLUSTRATED PARTS LIST  
 01.1 Page 1080M  
 Mar 01/04



Outboard Slat No. 1 Wing Leading Edge Structure Assembly  
 Figure 2 (Sheet 12)

**57-43-41**

ILLUSTRATED PARTS LIST  
 01.1 Page 1080N  
 Mar 01/04

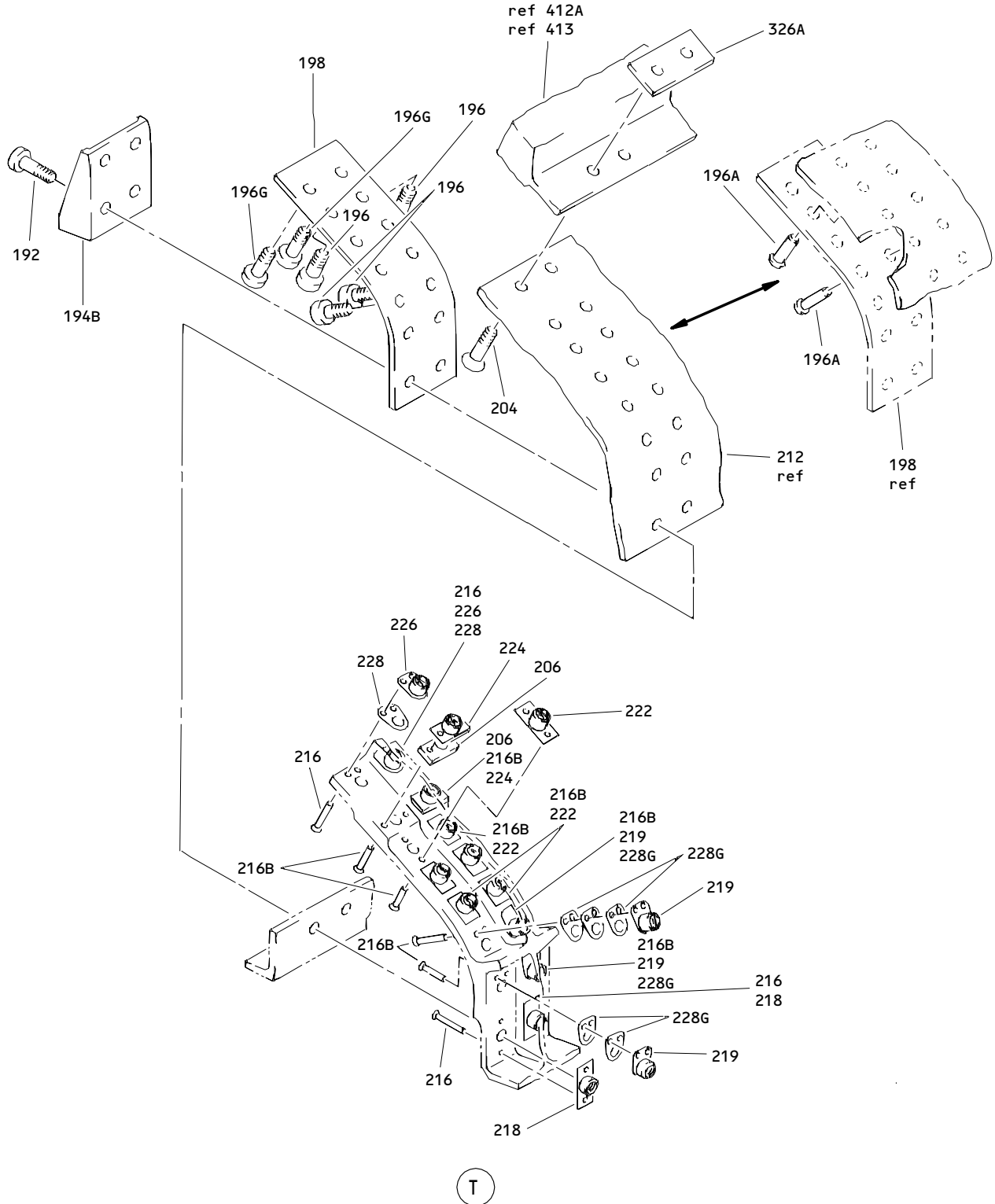


Outboard Slat No. 1 Wing Leading Edge Structure Assembly  
Figure 2 (Sheet 13)

**57-43-41**

ILLUSTRATED PARTS LIST  
01.1 Page 10800  
Mar 01/04

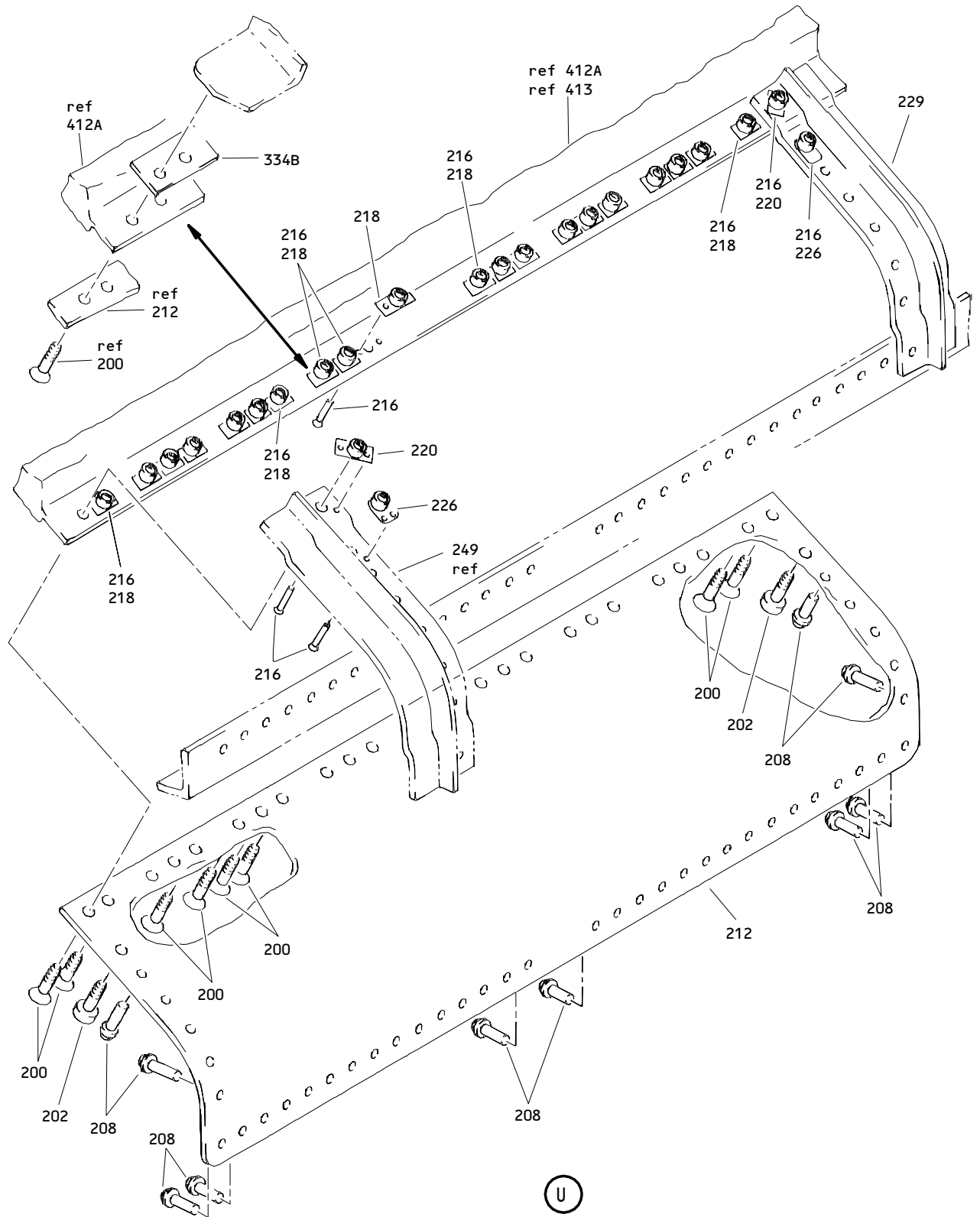




Outboard Slat No. 1 Wing Leading Edge Structure Assembly  
 Figure 2 (Sheet 14)

**57-43-41**

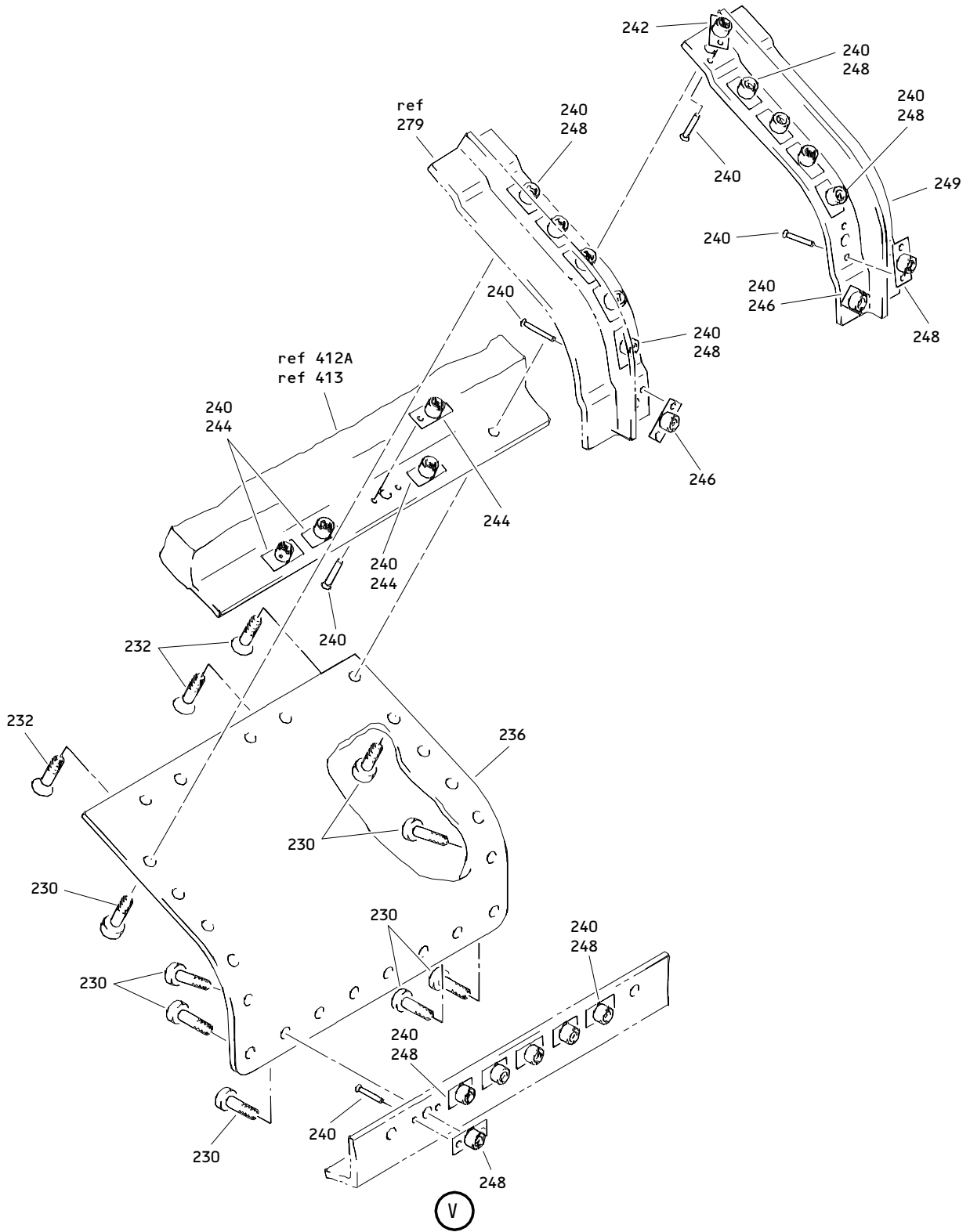
ILLUSTRATED PARTS LIST  
 01.1 Page 1080P  
 Mar 01/04



Outboard Slat No. 1 Wing Leading Edge Structure Assembly  
Figure 2 (Sheet 15)

**57-43-41**

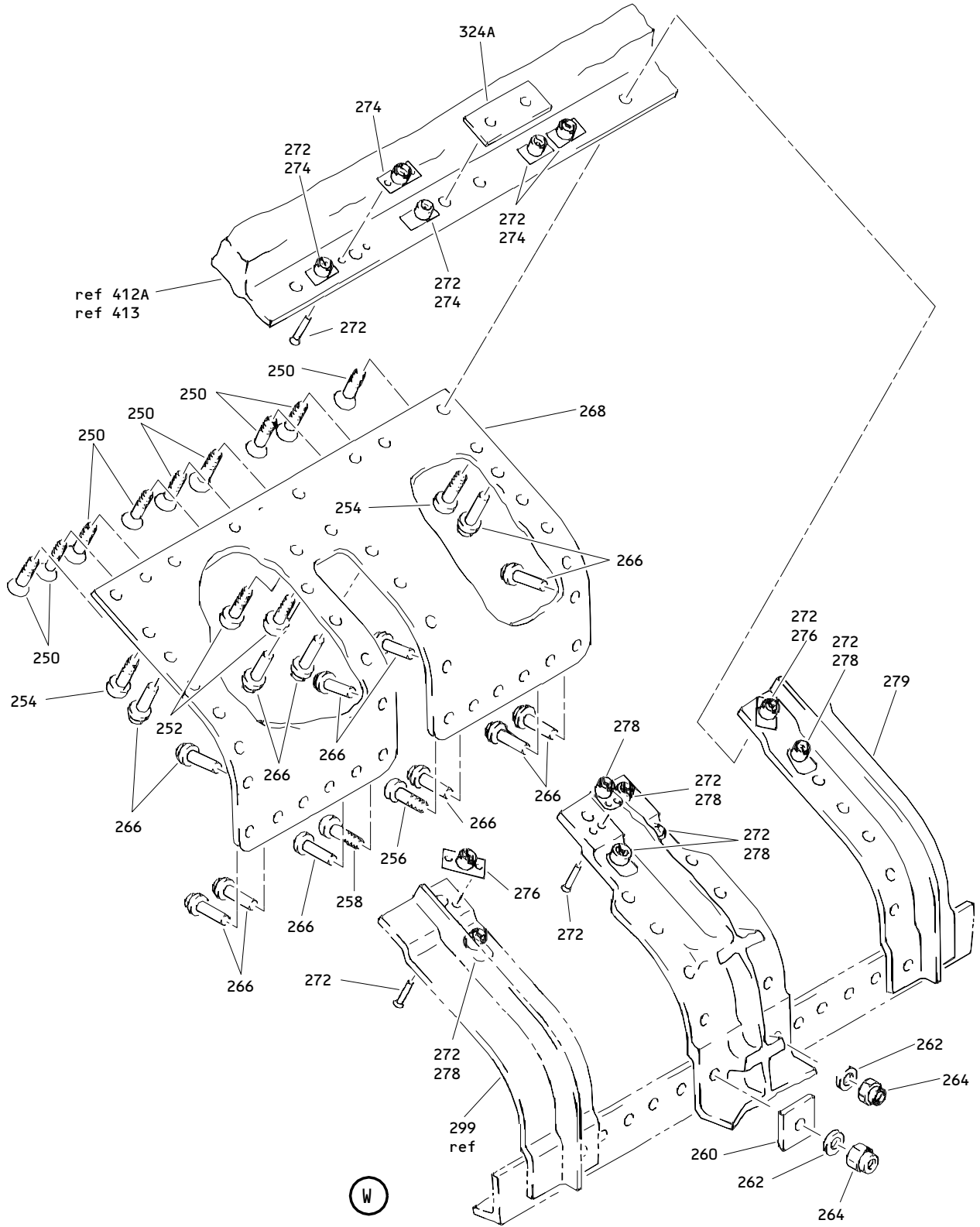
ILLUSTRATED PARTS LIST  
01.1 Page 1080Q  
Mar 01/04



Outboard Slat No. 1 Wing Leading Edge Structure Assembly  
 Figure 2 (Sheet 16)

**57-43-41**

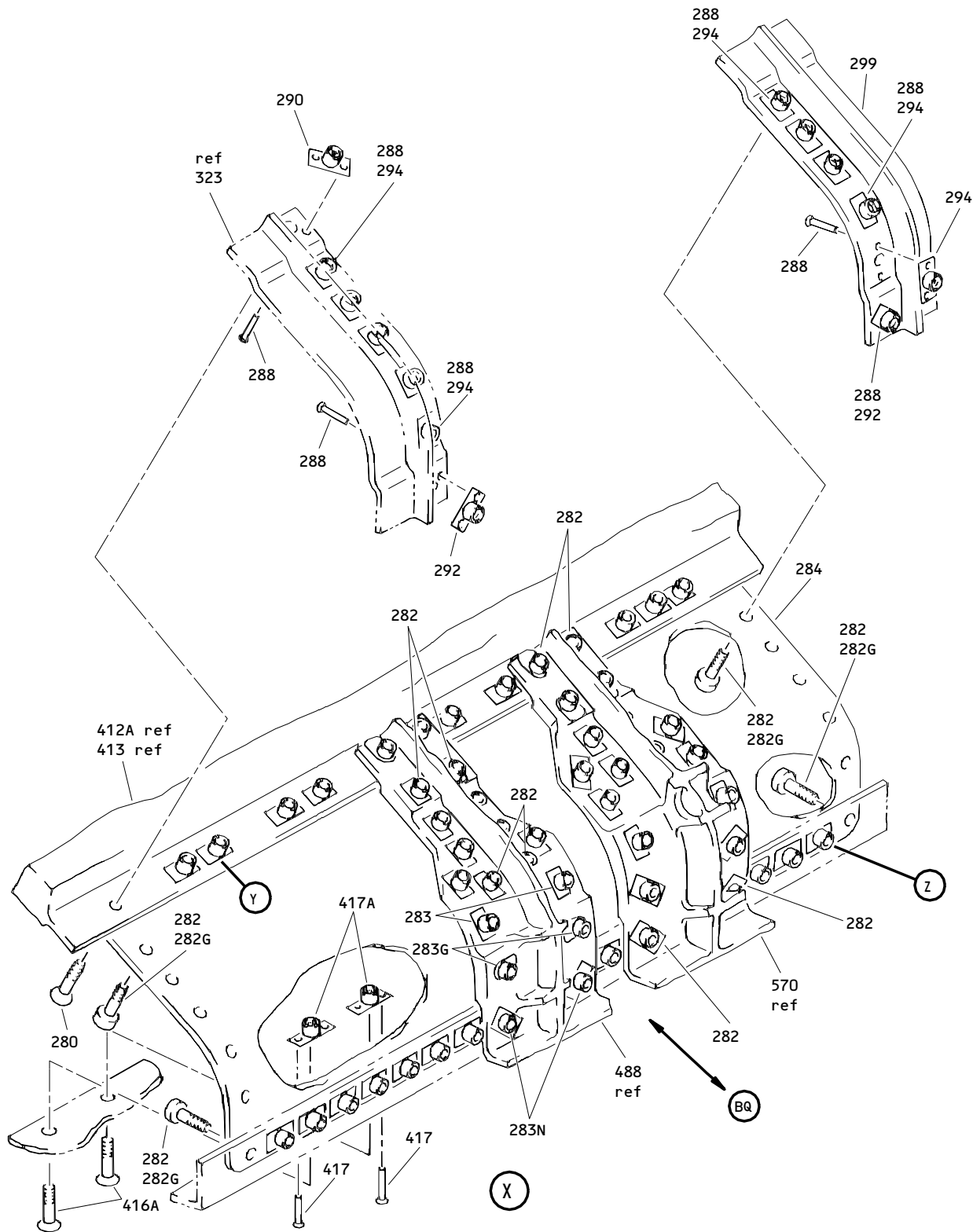
ILLUSTRATED PARTS LIST  
 01.1 Page 1080R  
 Mar 01/04



Outboard Slat No. 1 Wing Leading Edge Structure Assembly  
Figure 2 (Sheet 17)

**57-43-41**

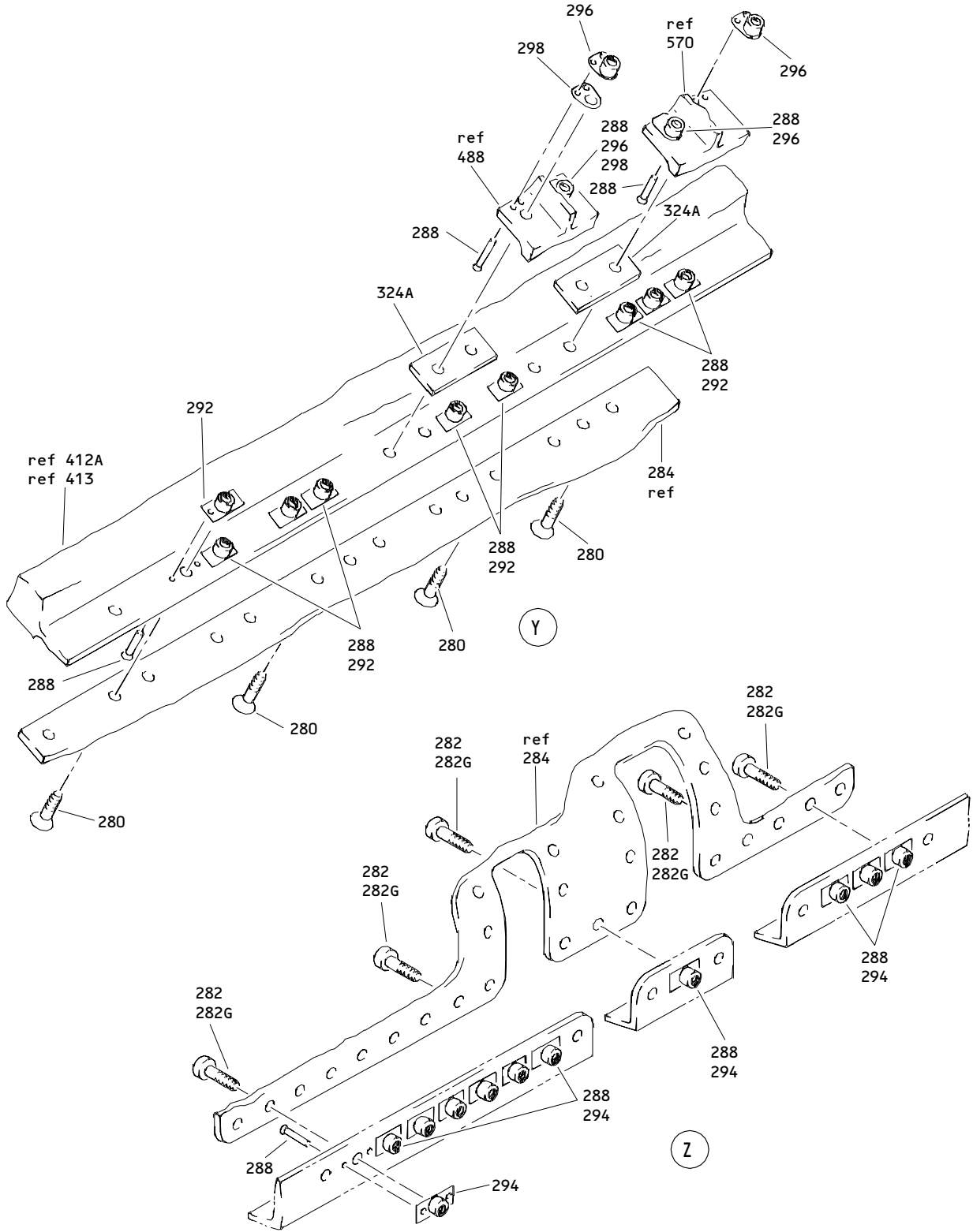
ILLUSTRATED PARTS LIST  
01.1 Page 1080S  
Mar 01/04



Outboard Slat No. 1 Wing Leading Edge Structure Assembly  
 Figure 2 (Sheet 18)

**57-43-41**

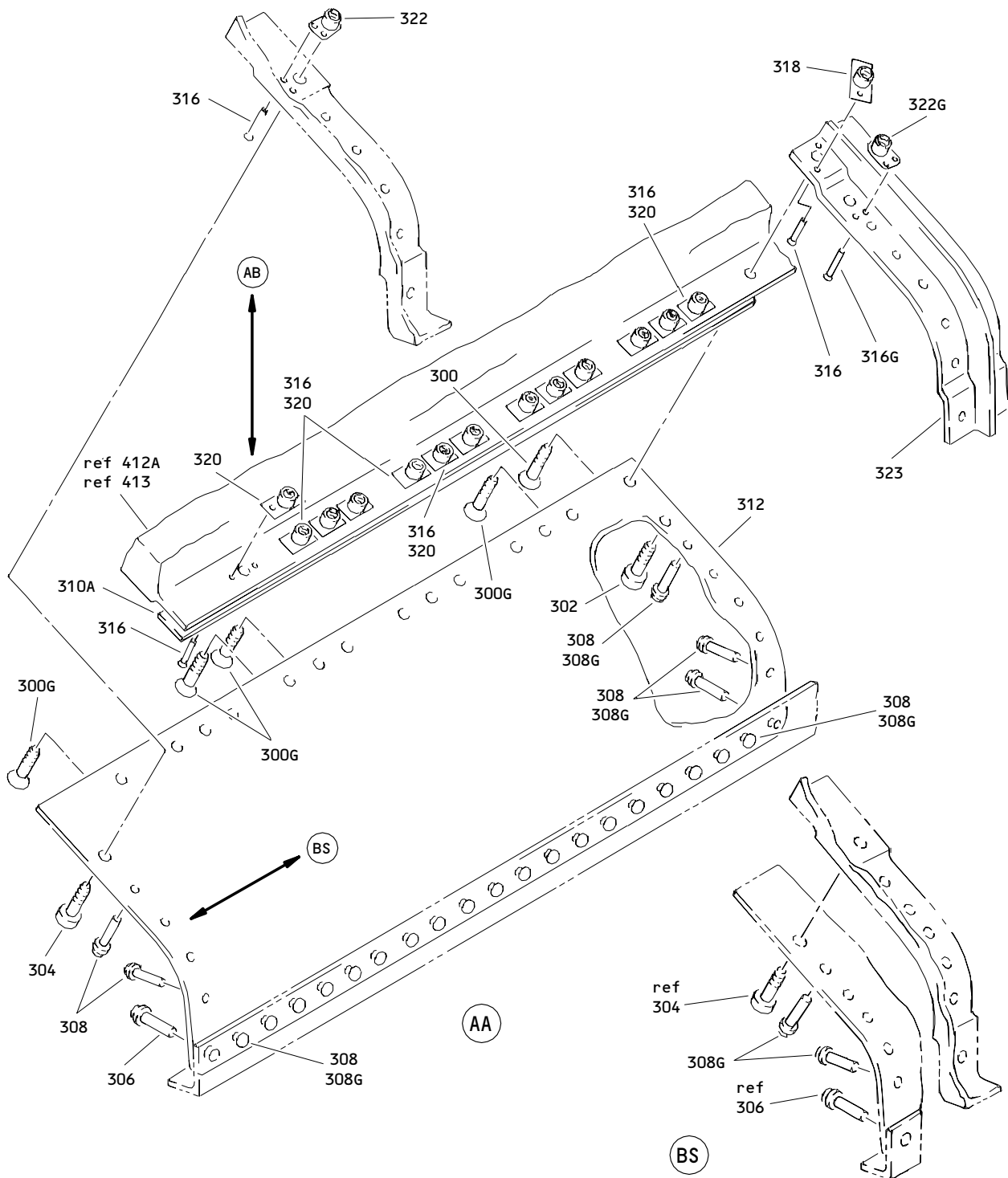
ILLUSTRATED PARTS LIST  
 01.1 Page 1080T  
 Mar 01/04



Outboard Slat No. 1 Wing Leading Edge Structure Assembly  
Figure 2 (Sheet 19)

**57-43-41**

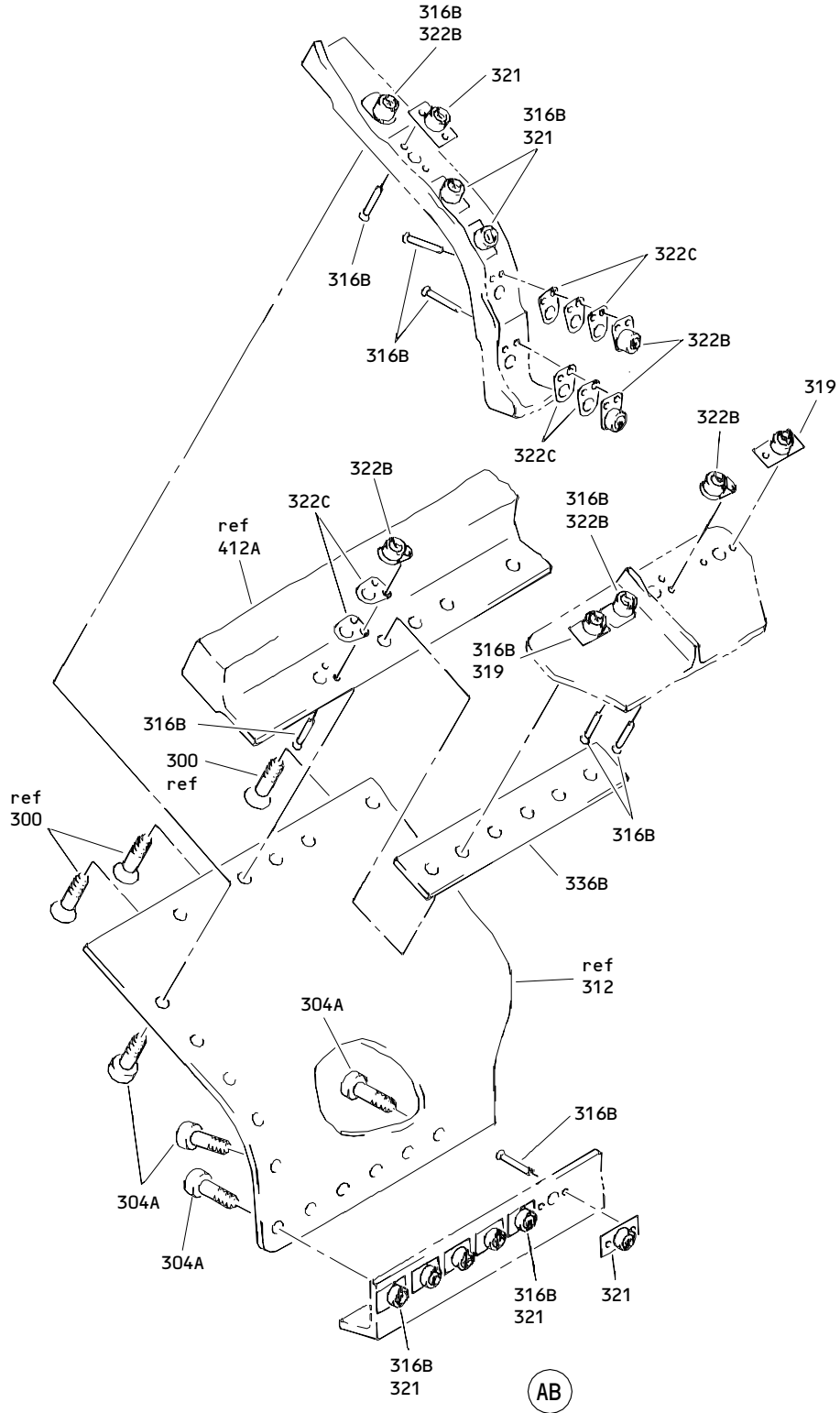
ILLUSTRATED PARTS LIST  
01.1 Page 1080U  
Mar 01/04



Outboard Slat No. 1 Wing Leading Edge Structure Assembly  
 Figure 2 (Sheet 20)

**57-43-41**

ILLUSTRATED PARTS LIST  
 01.1 Page 1080V  
 Mar 01/04

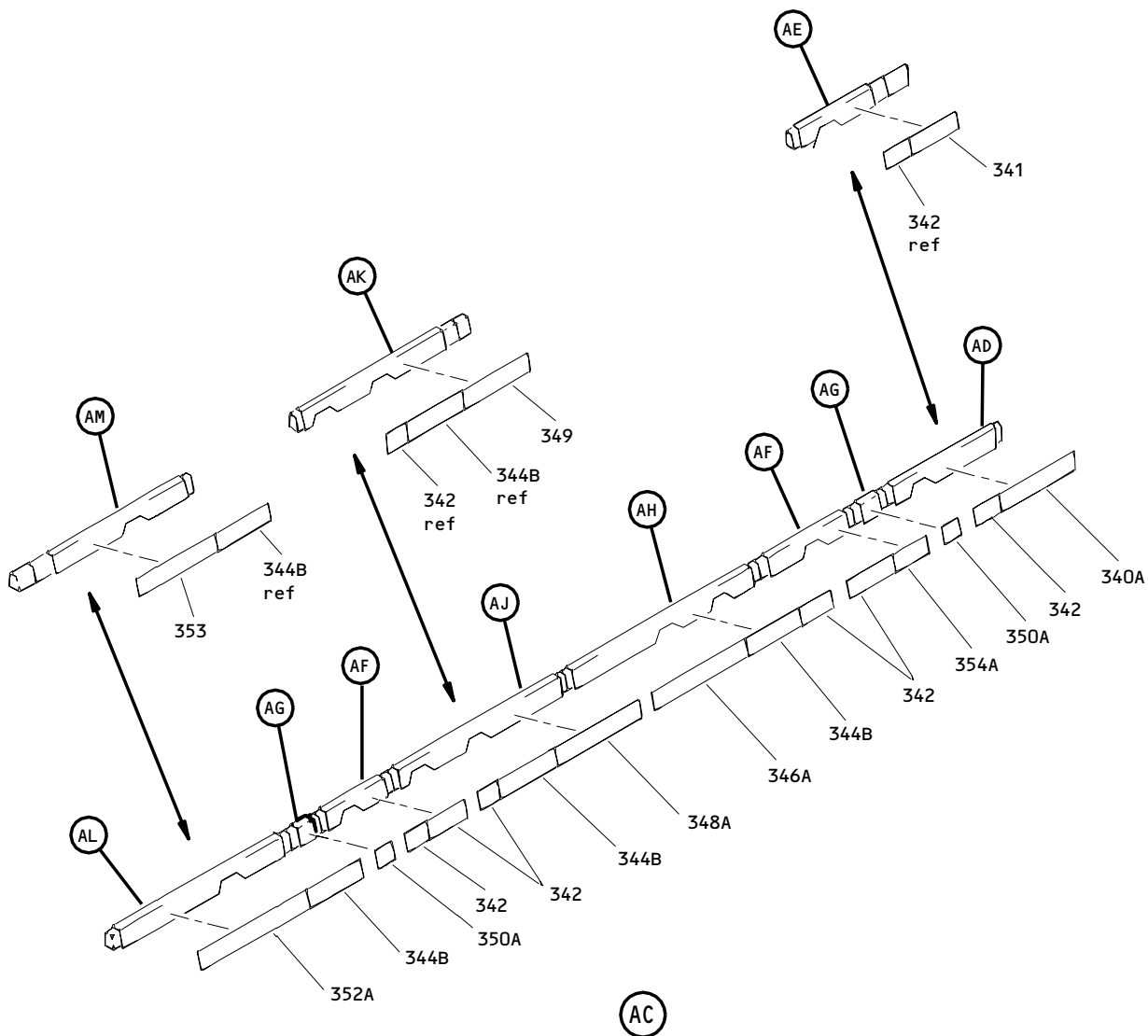


Outboard Slat No. 1 Wing Leading Edge Structure Assembly  
 Figure 2 (Sheet 21)

**57-43-41**

ILLUSTRATED PARTS LIST  
 01.1 Page 1080W  
 Mar 01/04

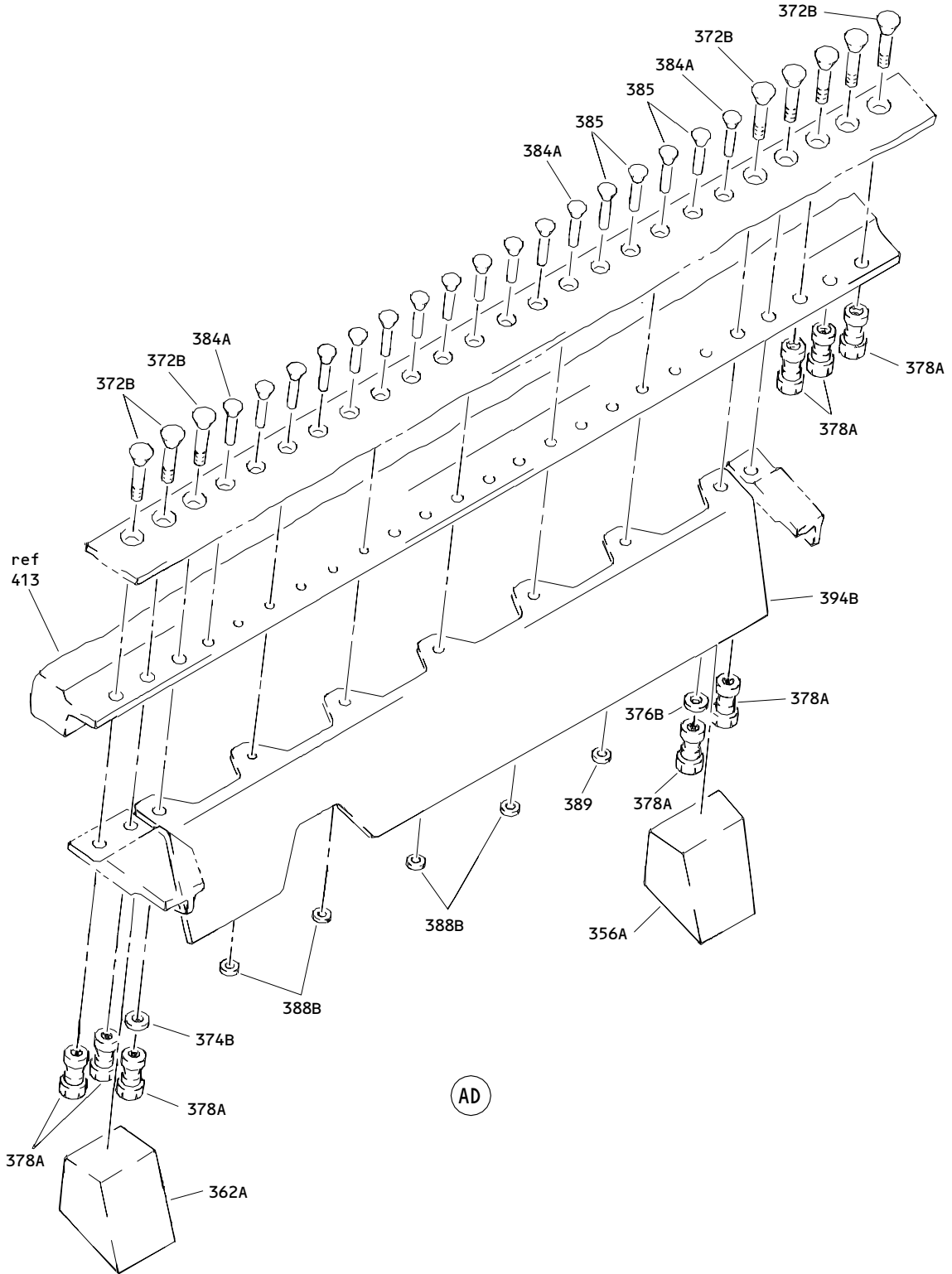




Outboard Slat No. 1 Wing Leading Edge Structure Assembly  
Figure 2 (Sheet 22)

**57-43-41**

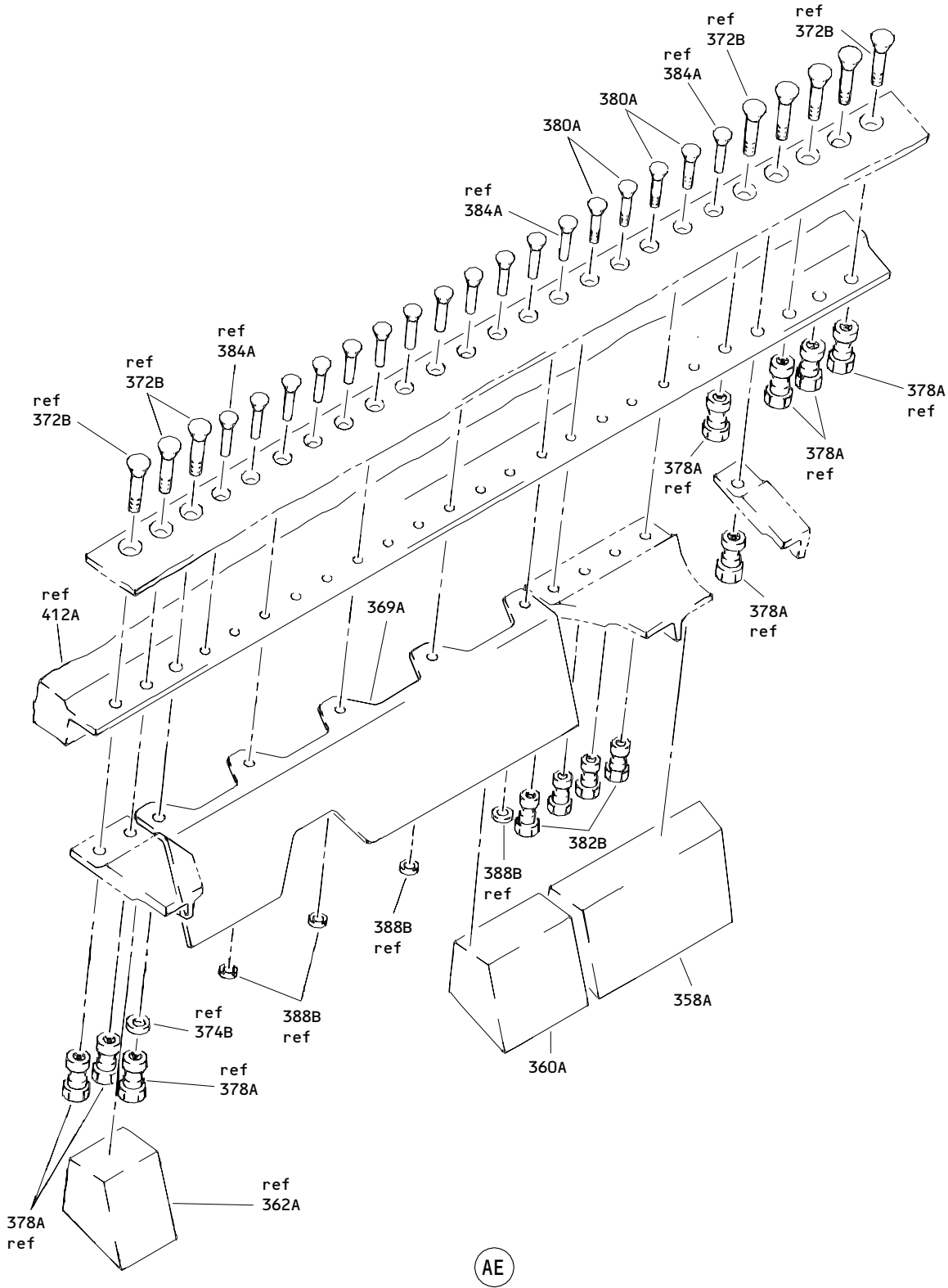
ILLUSTRATED PARTS LIST  
01.1 Page 1080X  
Mar 01/04



Outboard Slat No. 1 Wing Leading Edge Structure Assembly  
Figure 2 (Sheet 23)

**57-43-41**

ILLUSTRATED PARTS LIST  
01.1 Page 1080Y  
Mar 01/04

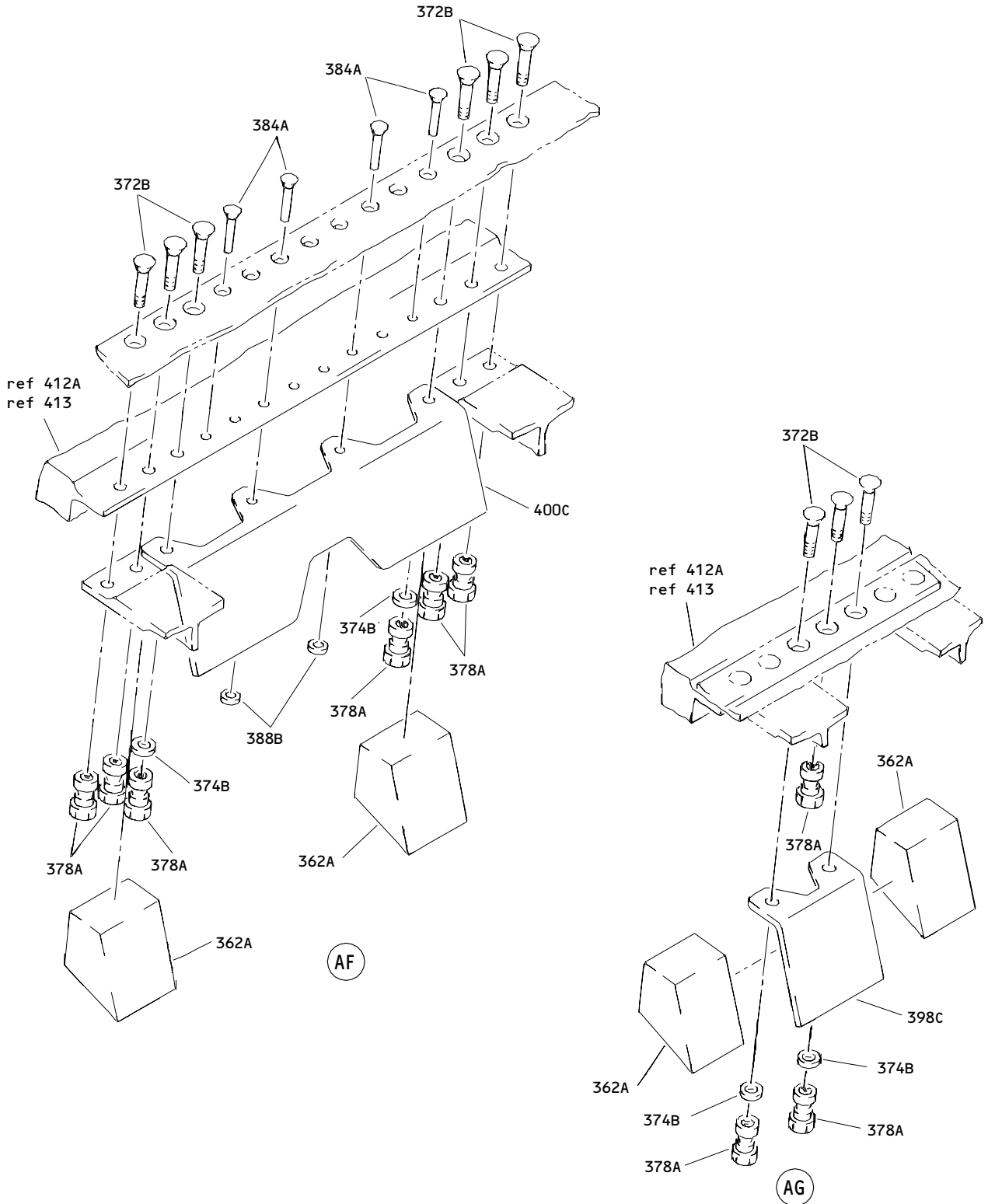


AE

Outboard Slat No. 1 Wing Leading Edge Structure Assembly  
 Figure 2 (Sheet 24)

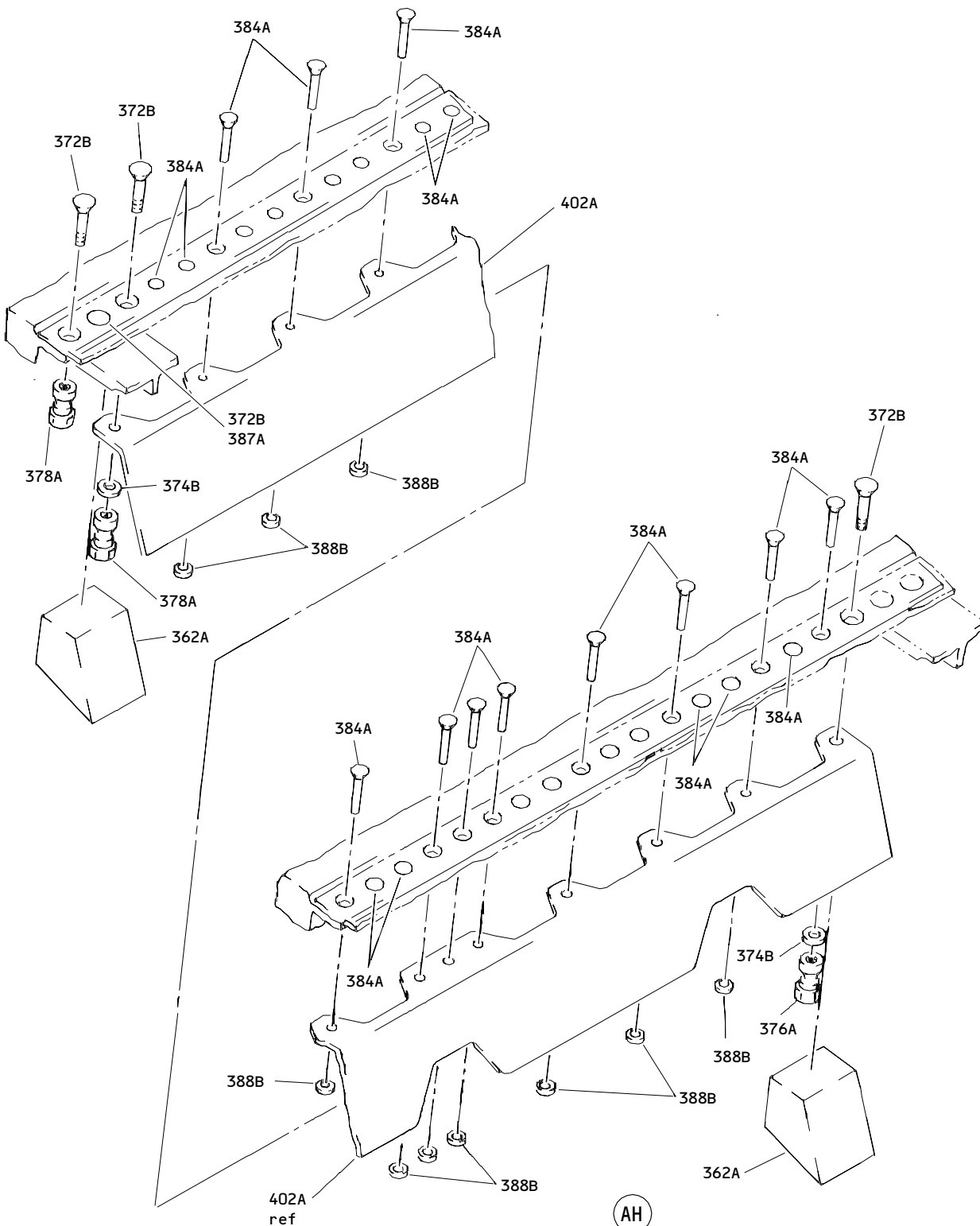
**57-43-41**

ILLUSTRATED PARTS LIST  
 01.1 Page 1080Z  
 Mar 01/04



Outboard Slat No. 1 Wing Leading Edge Structure Assembly  
 Figure 2 (Sheet 25)

**57-43-41**

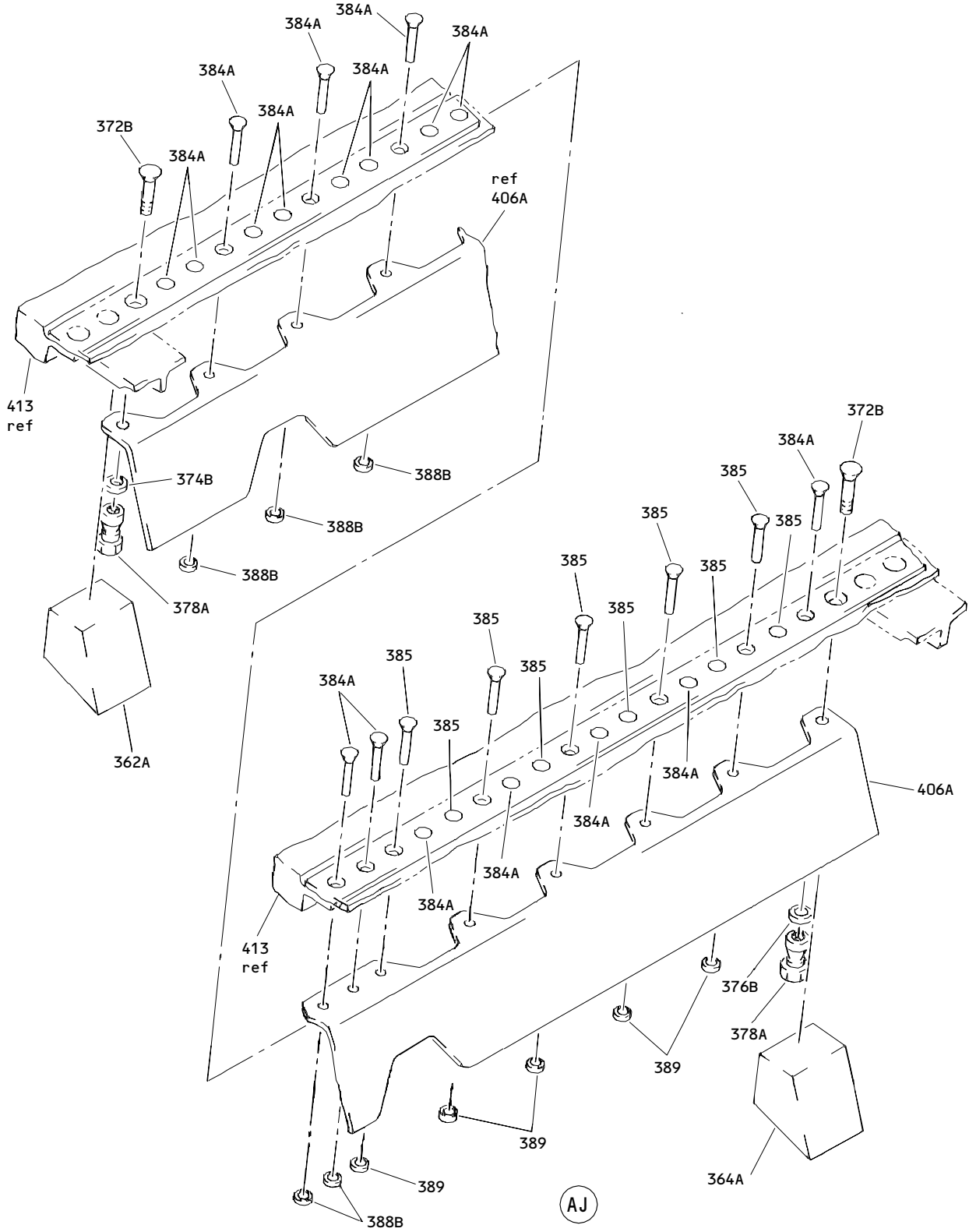


Outboard Slat No. 1 Wing Leading Edge Structure Assembly  
 Figure 2 (Sheet 26)

**57-43-41**

ILLUSTRATED PARTS LIST  
 01.1 Page 1082  
 Mar 01/04

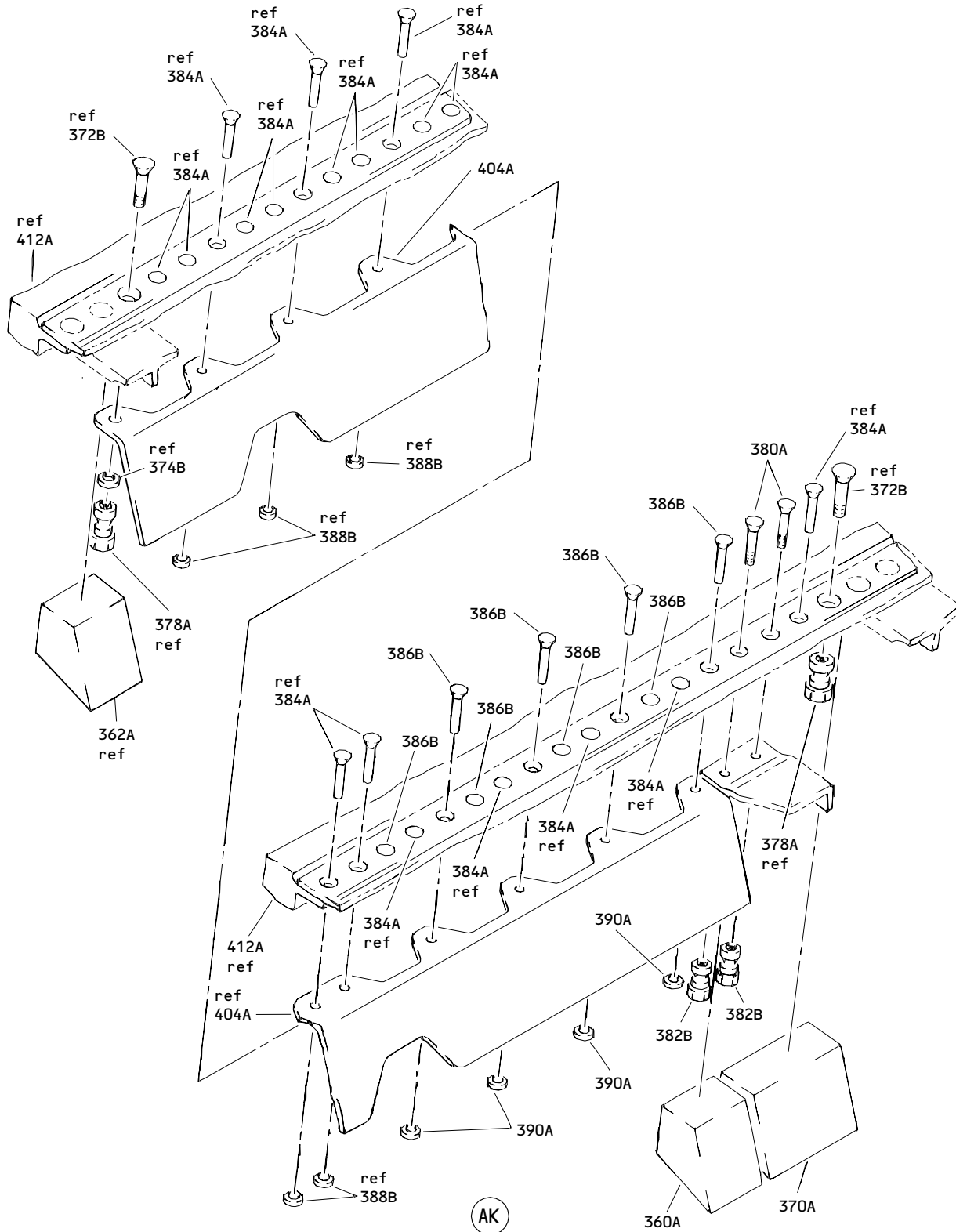
T73828



Outboard Slat No. 1 Wing Leading Edge Structure Assembly  
Figure 2 (Sheet 27)

**57-43-41**

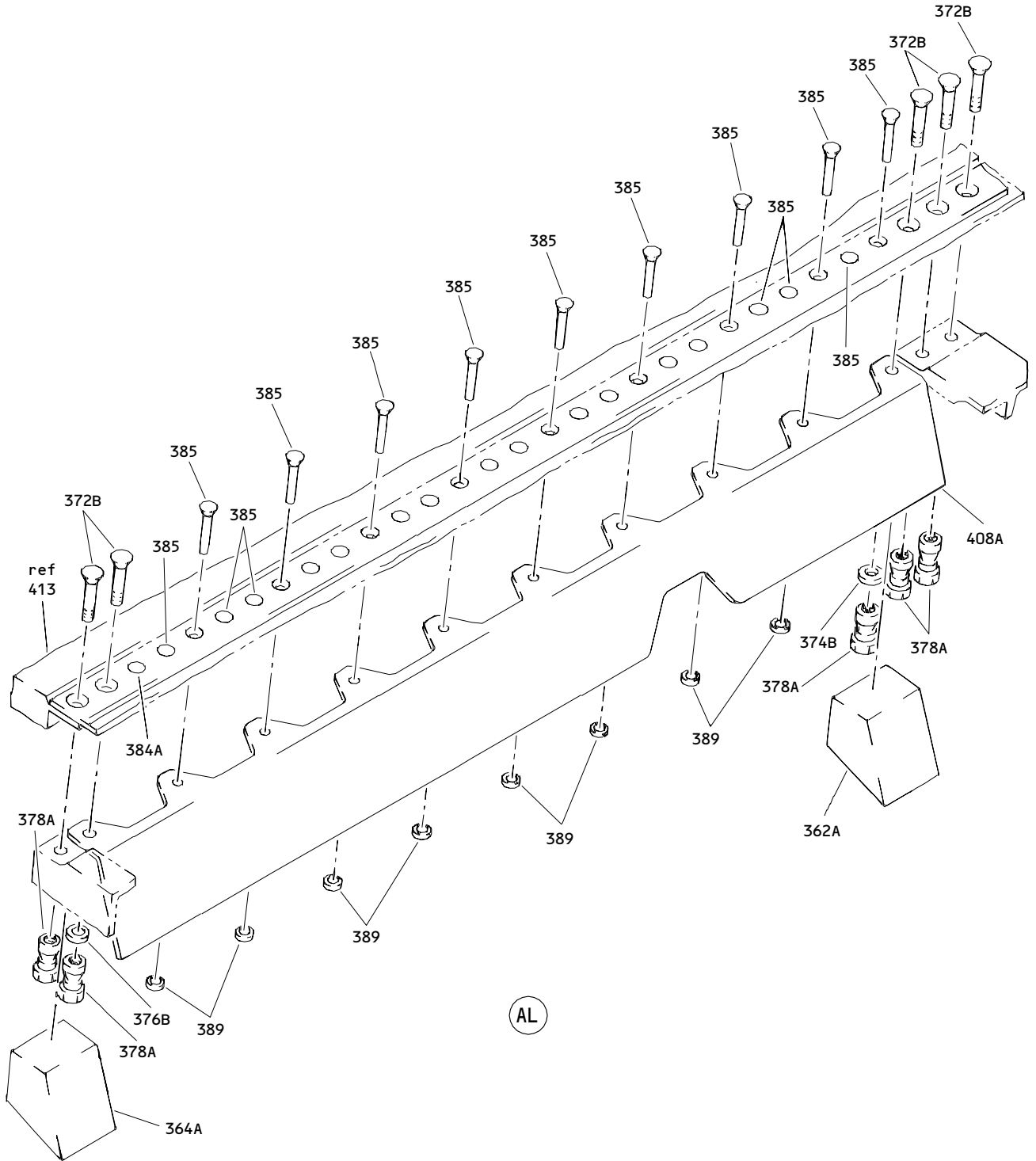
ILLUSTRATED PARTS LIST  
01.1 Page 1082A  
Mar 01/04



Outboard Slat No. 1 Wing Leading Edge Structure Assembly  
 Figure 2 (Sheet 28)

**57-43-41**

ILLUSTRATED PARTS LIST  
 01.1 Page 1082B  
 Mar 01/04



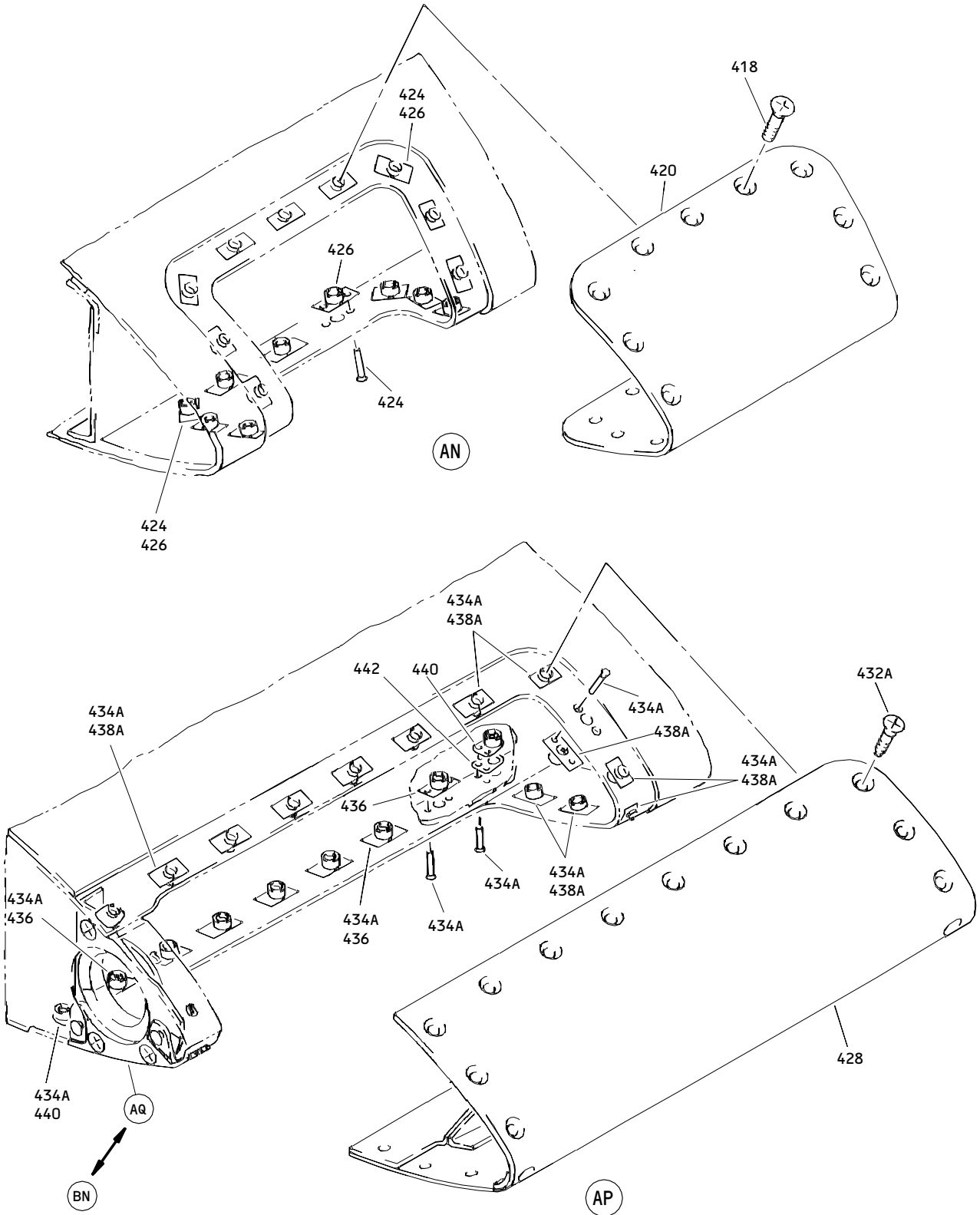
Outboard Slat No. 1 Wing Leading Edge Structure Assembly  
Figure 2 (Sheet 29)

**57-43-41**

ILLUSTRATED PARTS LIST  
01.1 Page 1082C  
Mar 01/04





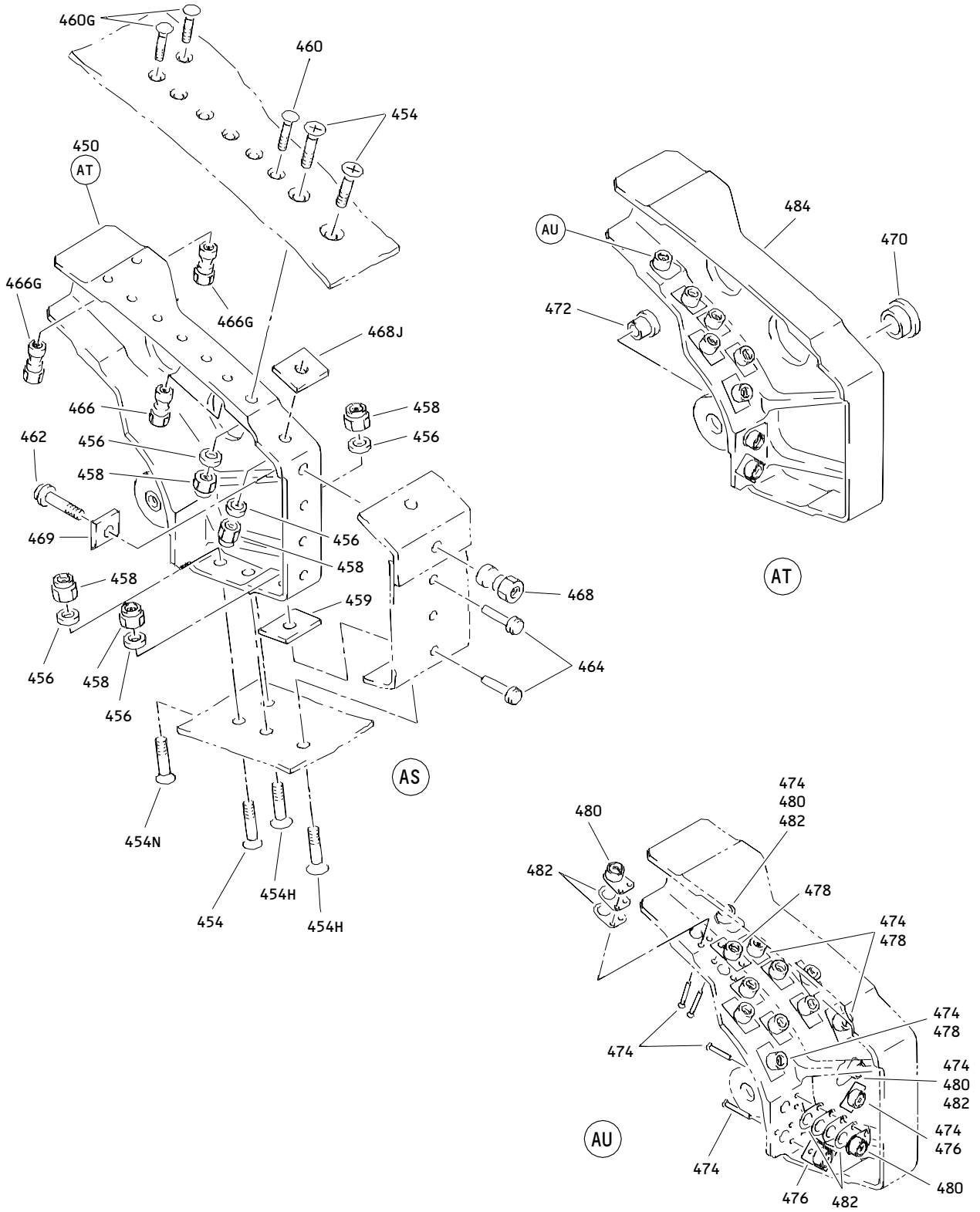


Outboard Slat No. 1 Wing Leading Edge Structure Assembly  
 Figure 2 (Sheet 31)

**57-43-41**

ILLUSTRATED PARTS LIST  
 01.1 Page 1082E  
 Mar 01/04

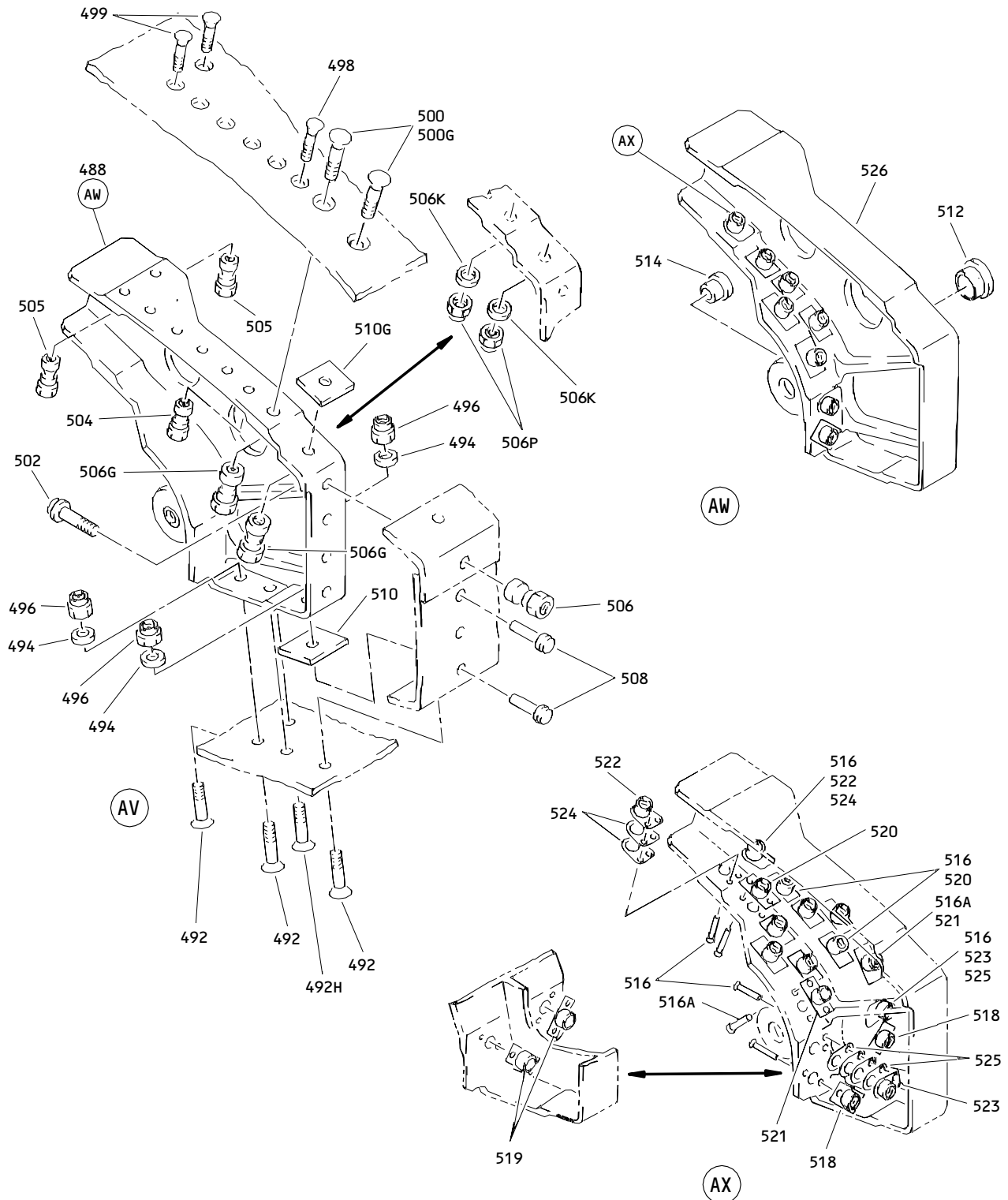




Outboard Slat No. 1 Wing Leading Edge Structure Assembly  
 Figure 2 (Sheet 33)

**57-43-41**

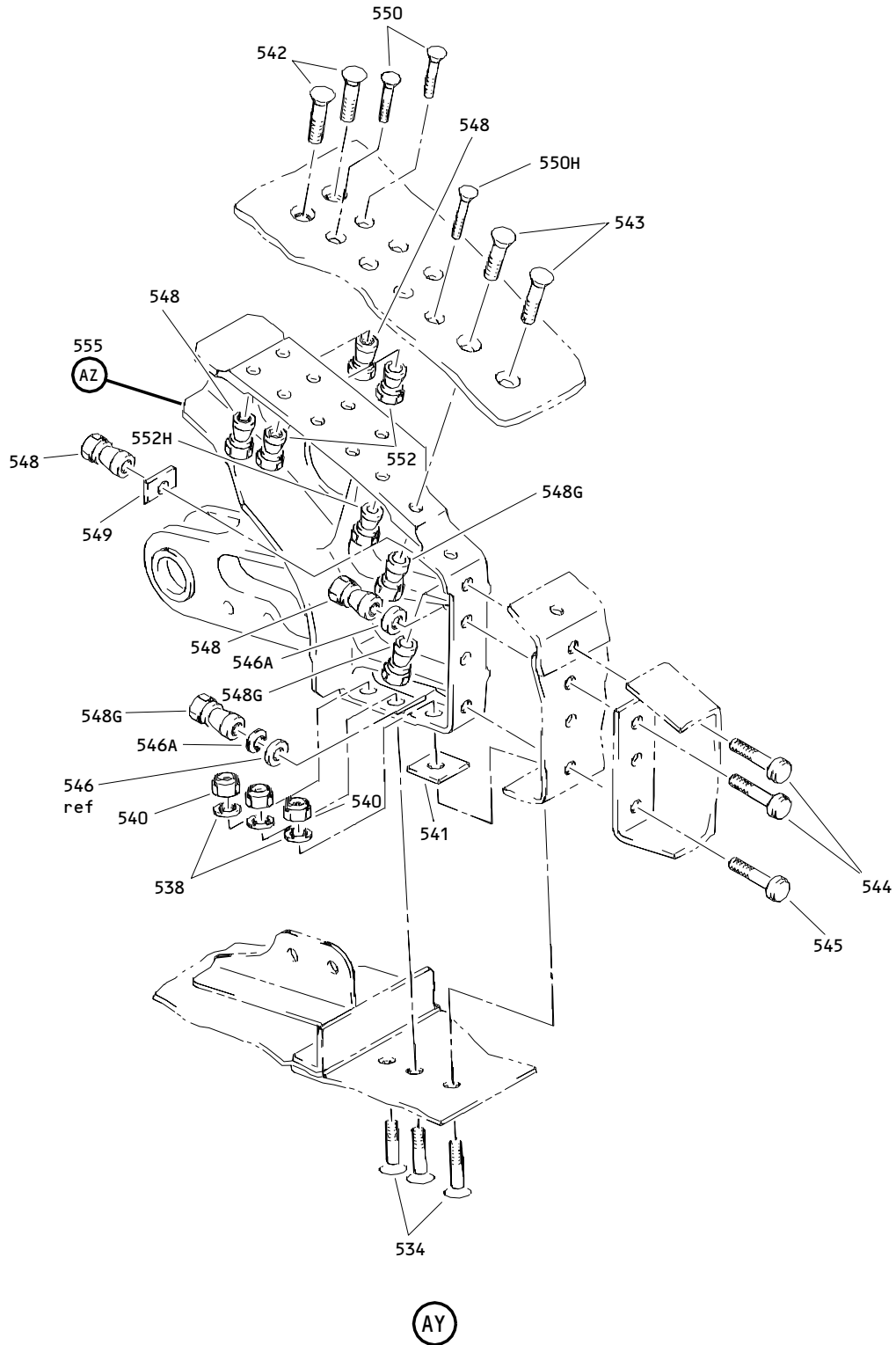
ILLUSTRATED PARTS LIST  
 01.1 Page 1082G  
 Mar 01/04



Outboard Slat No. 1 Wing Leading Edge Structure Assembly  
 Figure 2 (Sheet 34)

**57-43-41**

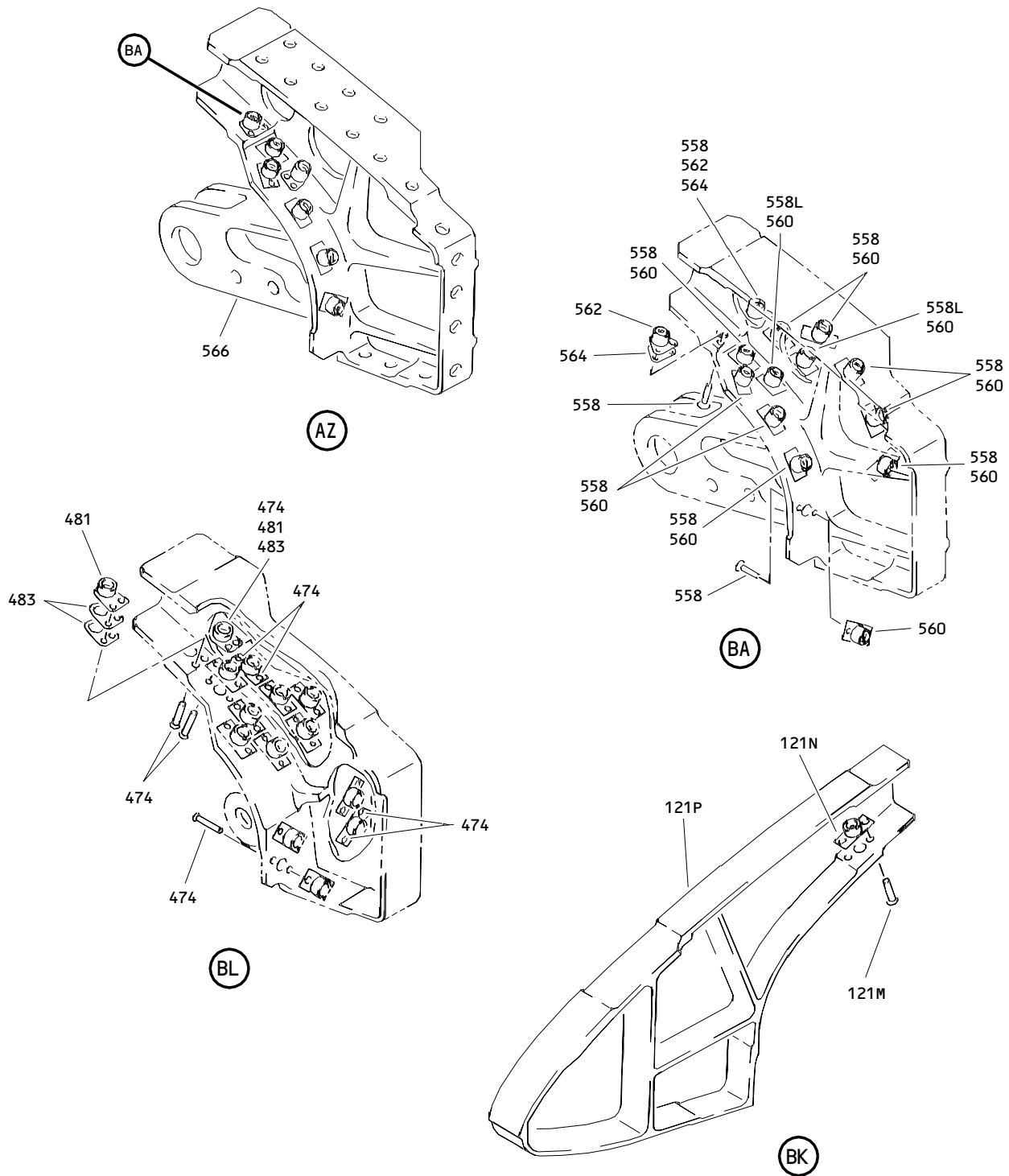
ILLUSTRATED PARTS LIST  
 01.1 Page 1082H  
 Mar 01/04



Outboard Slat No. 1 Wing Leading Edge Structure Assembly  
Figure 2 (Sheet 35)

**57-43-41**

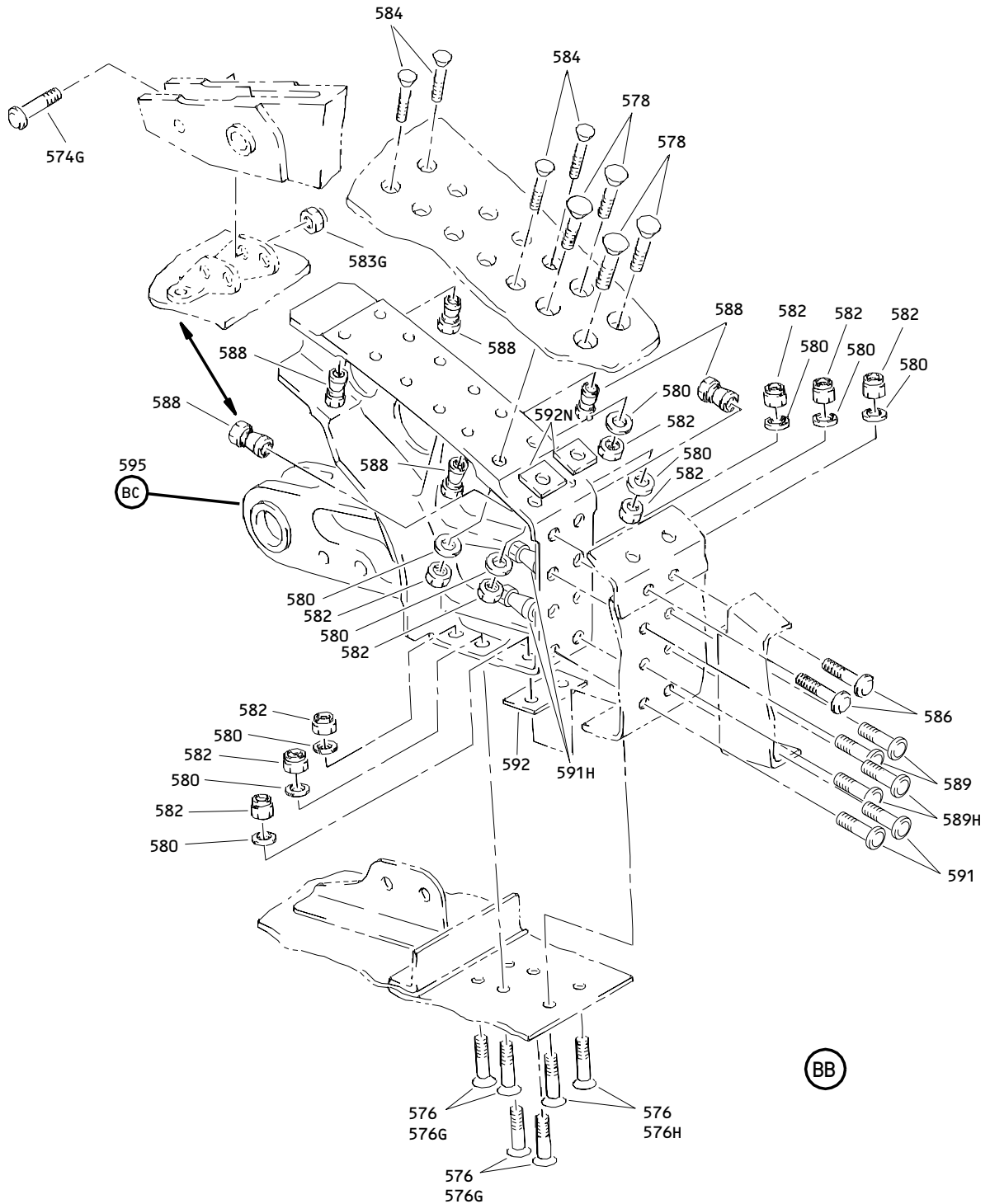
ILLUSTRATED PARTS LIST  
01.1 Page 1082I  
Mar 01/04



Outboard Slat No. 1 Wing Leading Edge Structure Assembly  
 Figure 2 (Sheet 36)

**57-43-41**

ILLUSTRATED PARTS LIST  
 01.1 Page 1082J  
 Mar 01/04

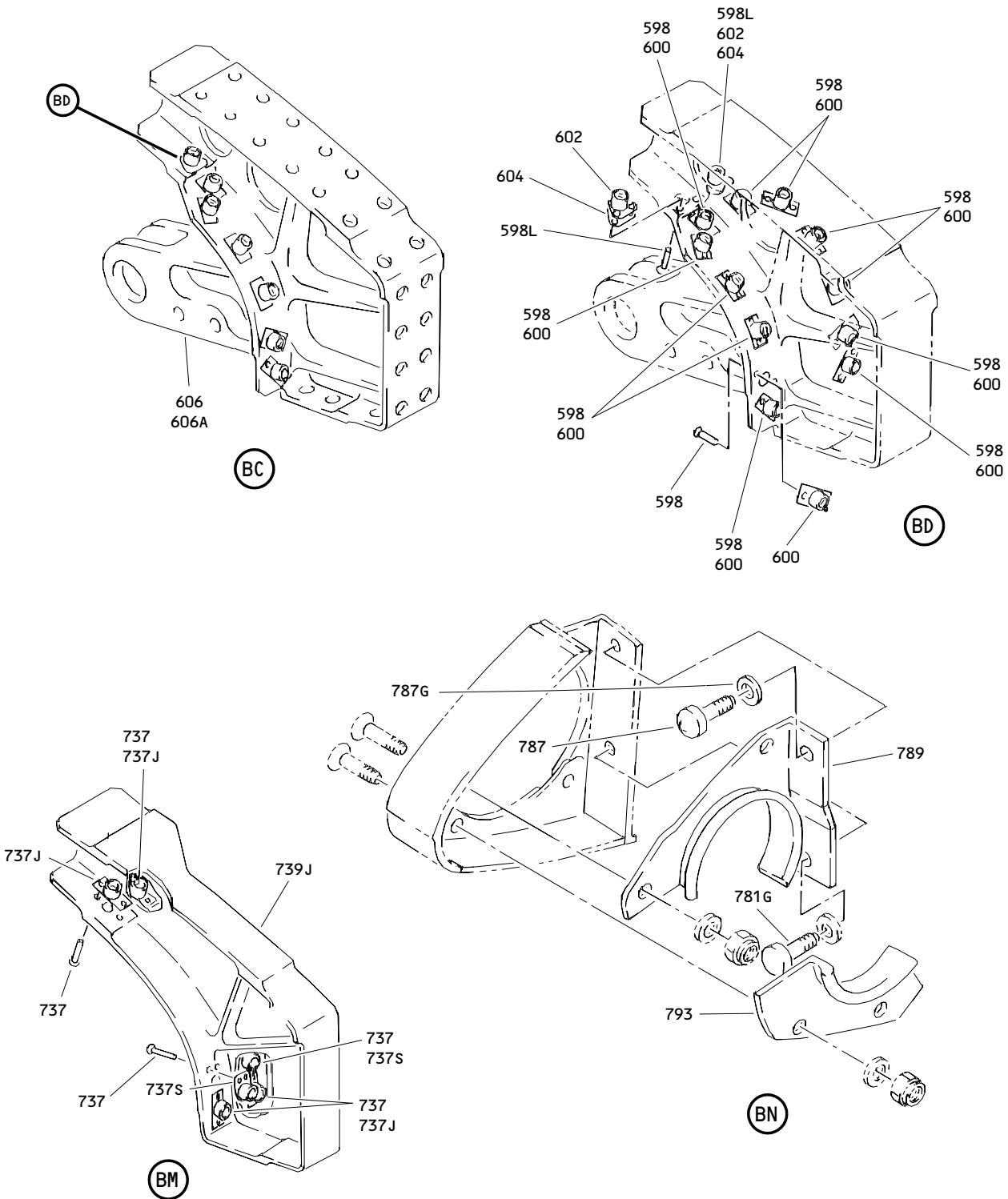


Outboard Slat No. 1 Wing Leading Edge Structure Assembly  
 Figure 2 (Sheet 37)

**57-43-41**

ILLUSTRATED PARTS LIST  
 01.1 Page 1082K  
 Mar 01/04

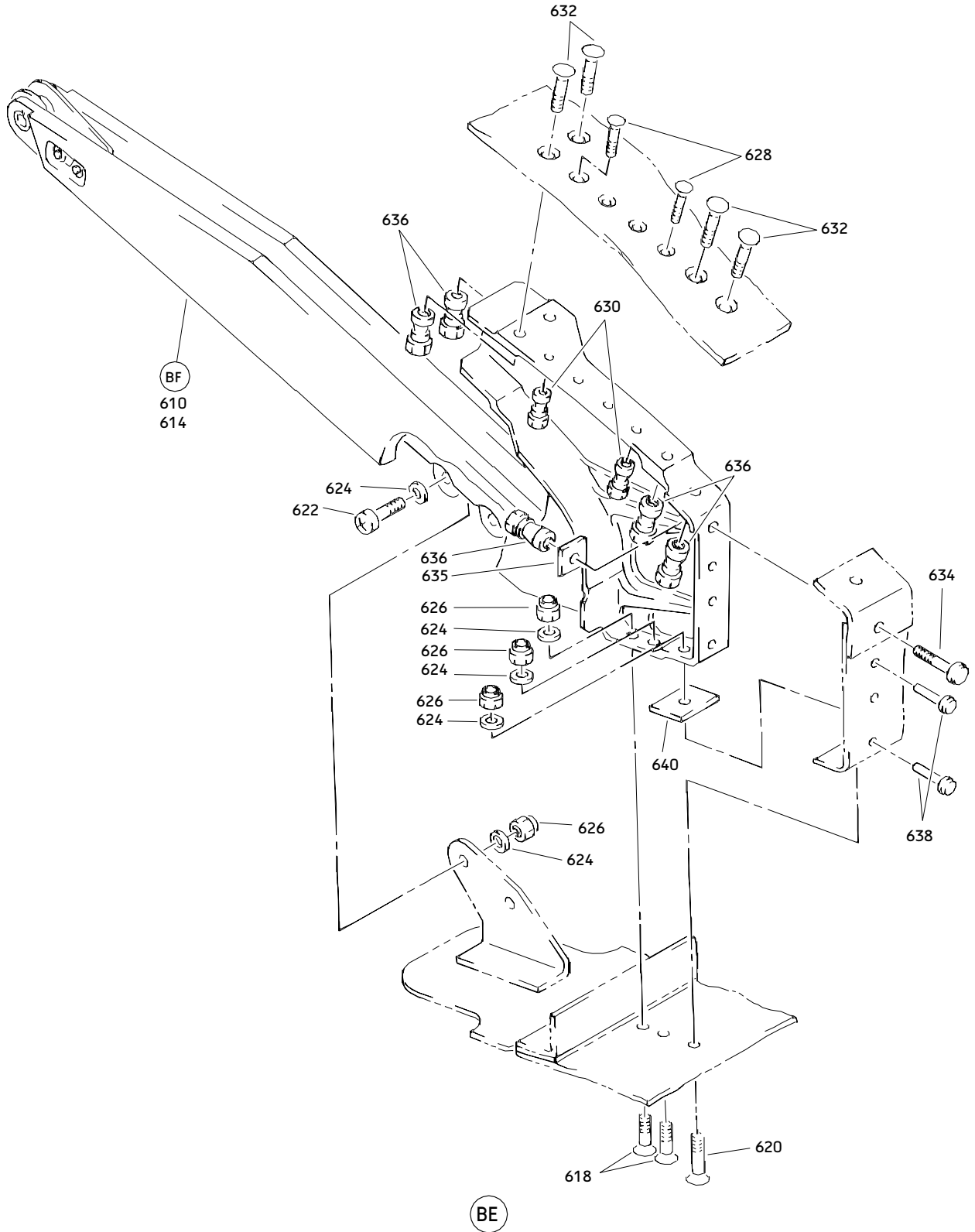




Outboard Slat No. 1 Wing Leading Edge Structure Assembly  
 Figure 2 (Sheet 38)

**57-43-41**

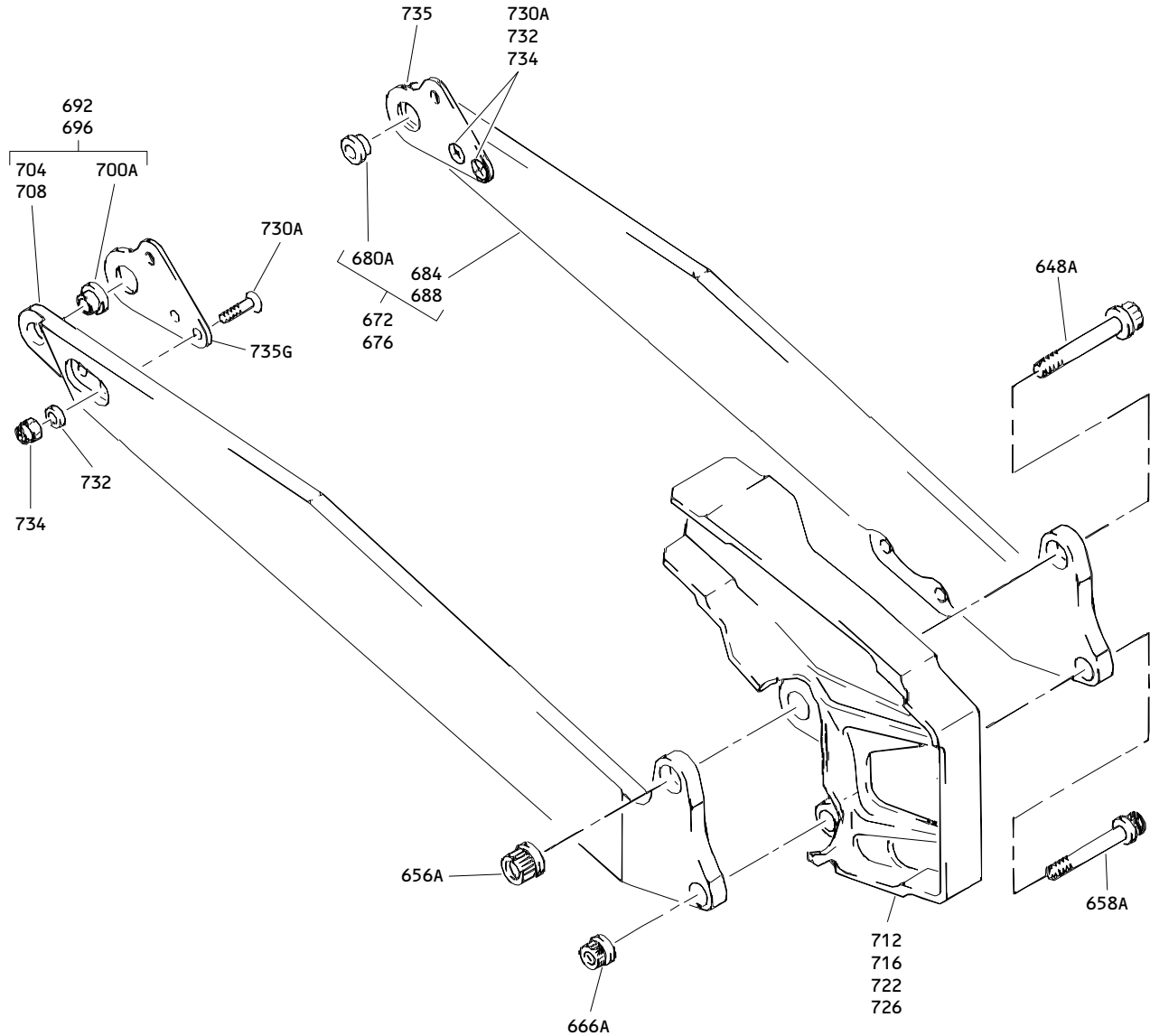
ILLUSTRATED PARTS LIST  
 01.1 Page 1082L  
 Mar 01/04



Outboard Slat No. 1 Wing Leading Edge Structure Assembly  
Figure 2 (Sheet 39)

**57-43-41**

ILLUSTRATED PARTS LIST  
01.1 Page 1082M  
Mar 01/04

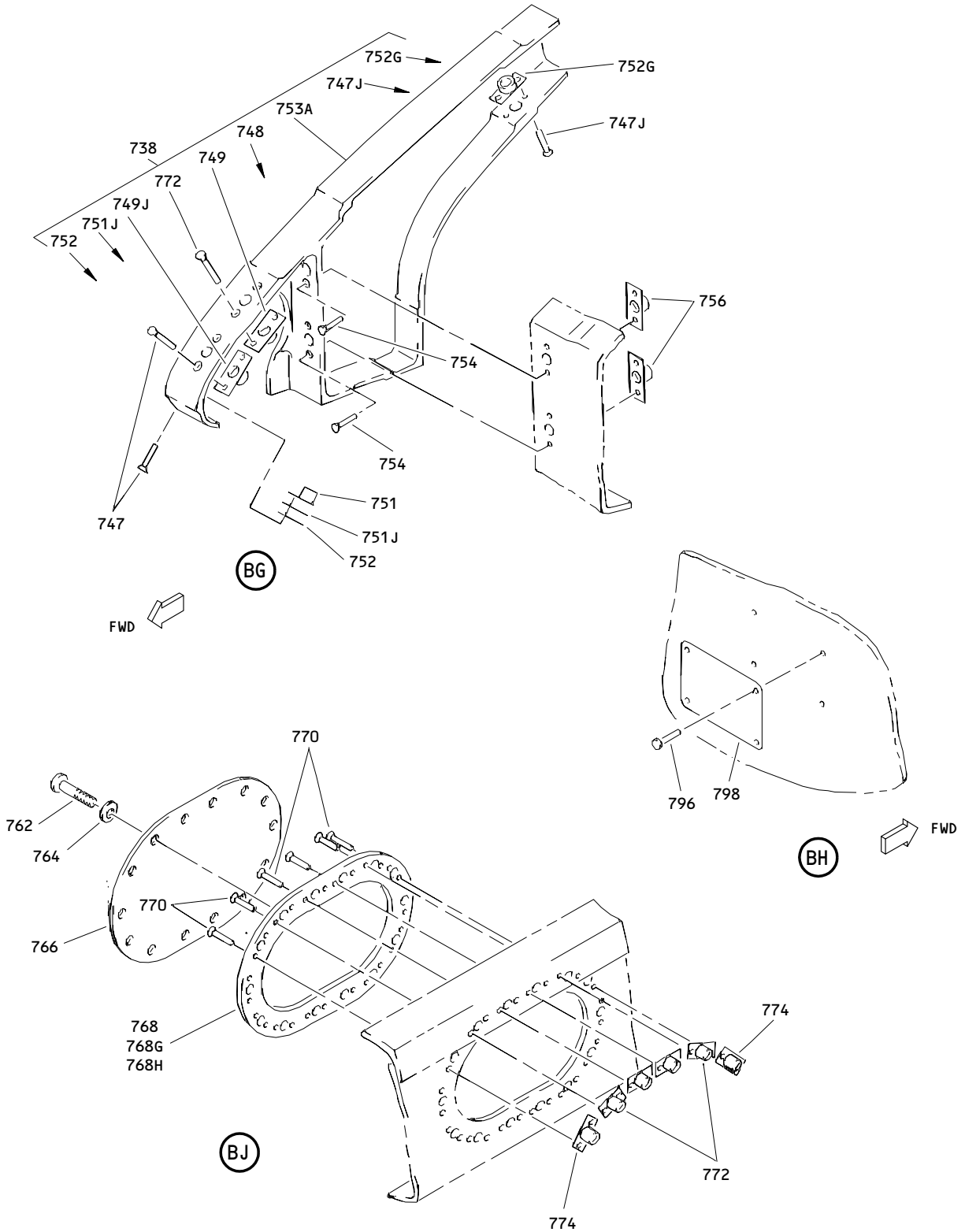


BF

Outboard Slat No. 1 and 12 Wing Leading Edge Structure Assembly  
 Figure 2 (Sheet 40)

**57-43-41**

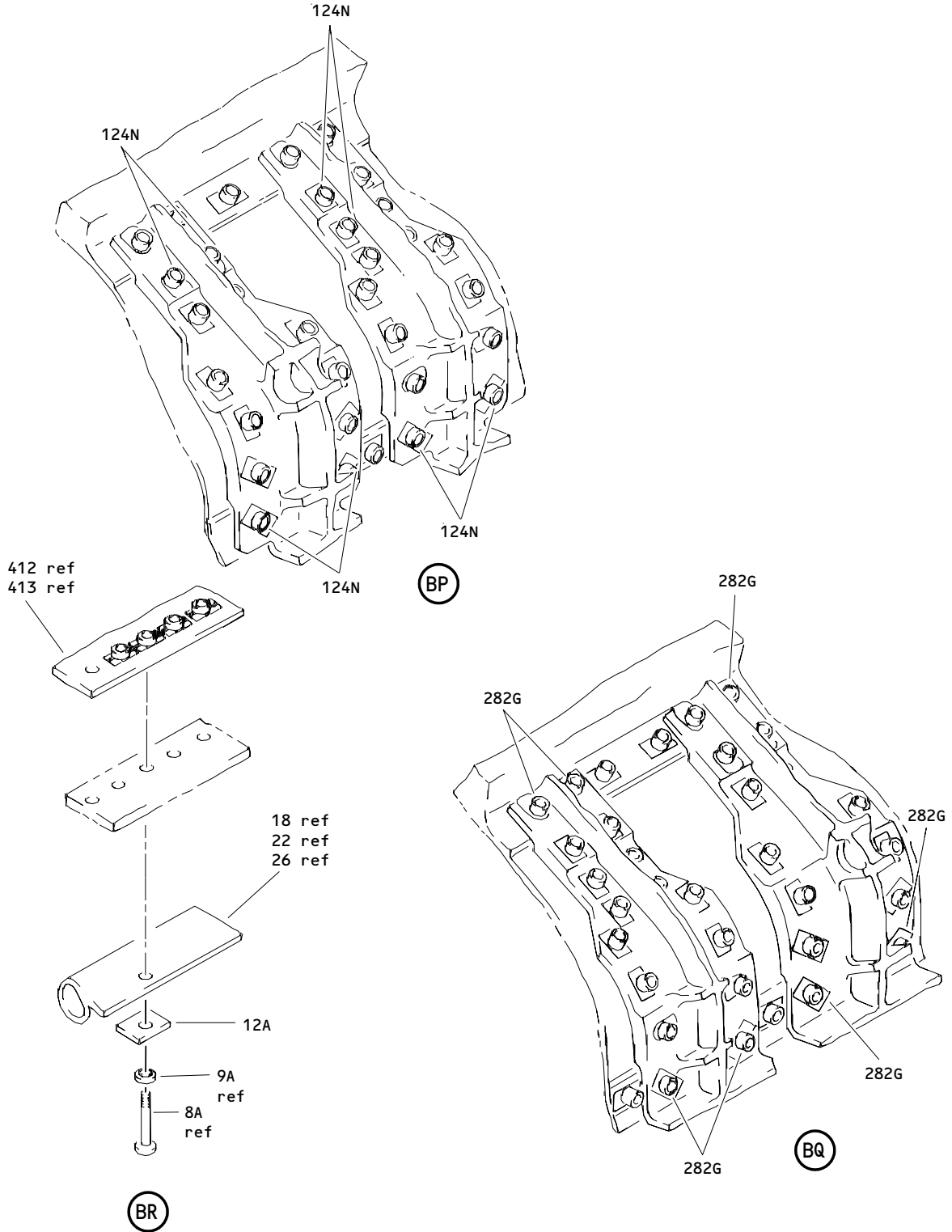
ILLUSTRATED PARTS LIST  
 01.1 Page 1082N  
 Mar 01/04



Outboard Slat No. 1 Wing Leading Edge Structure Assembly  
Figure 2 (Sheet 41)

**57-43-41**

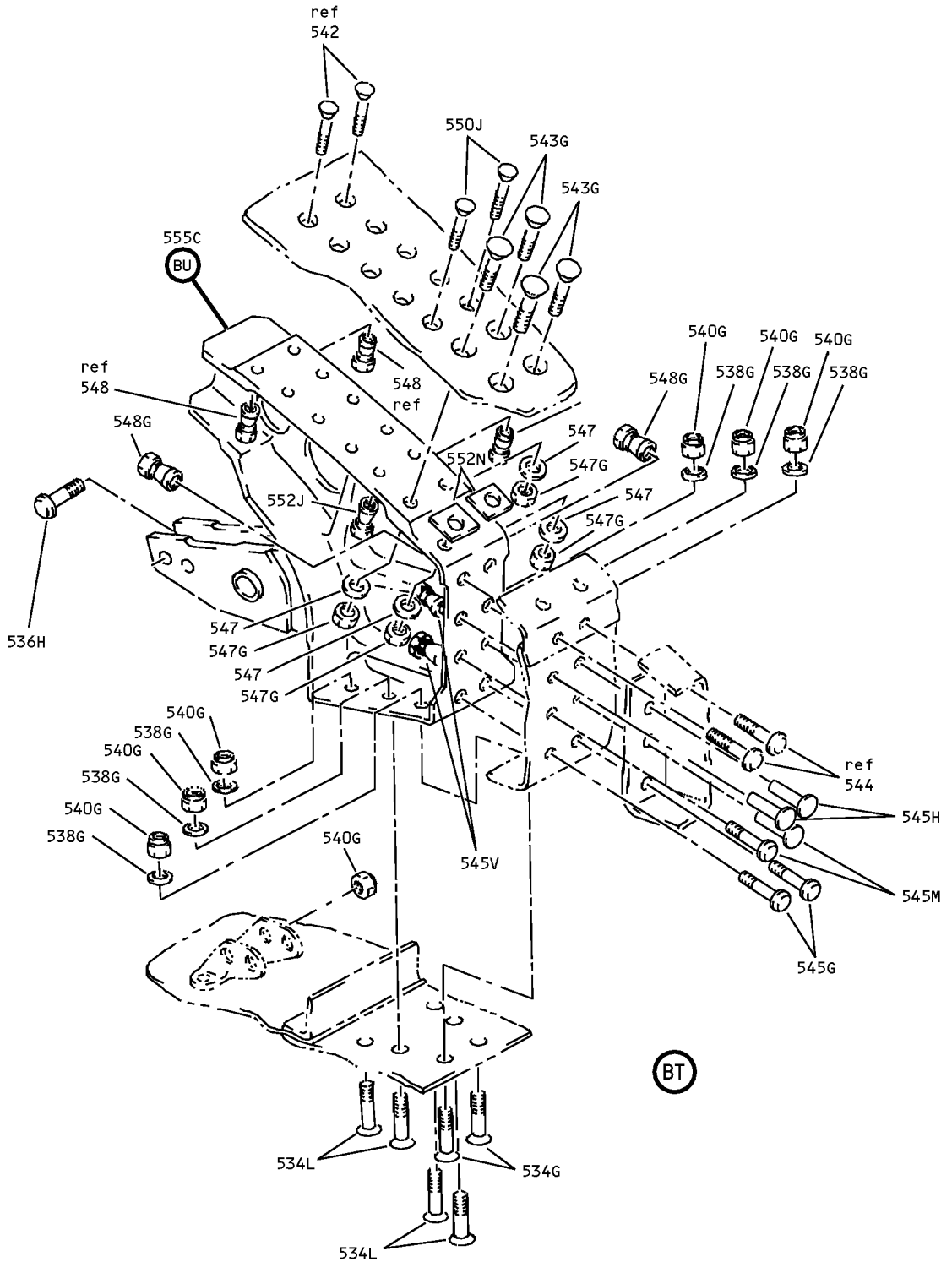
ILLUSTRATED PARTS LIST  
01.1 Page 10820  
Mar 01/04



Outboard Slat No. 1 Wing Leading Edge Structure Assembly  
 Figure 2 (Sheet 42)

**57-43-41**

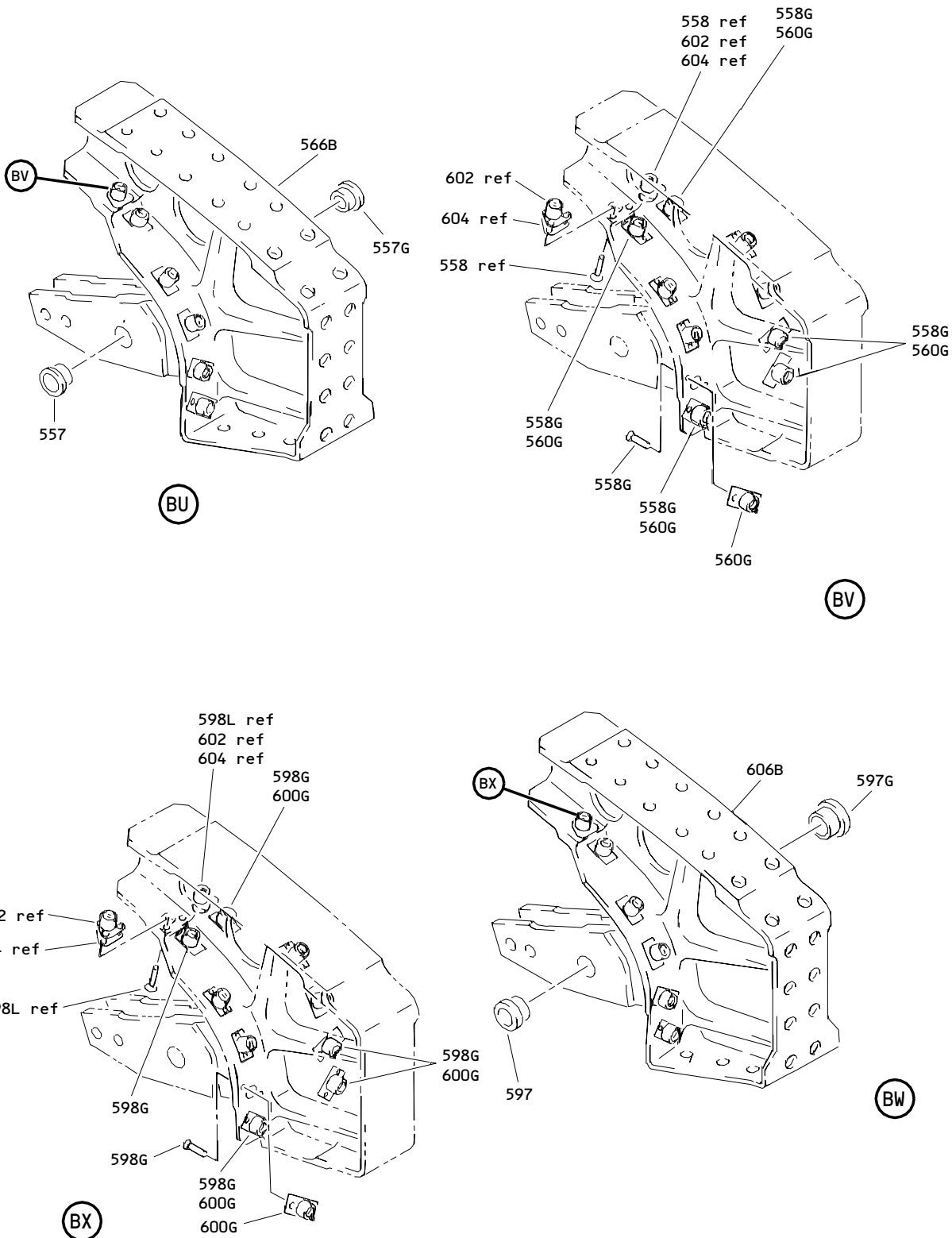
ILLUSTRATED PARTS LIST  
 01.1 Page 1082P  
 Mar 01/04



Outboard Slat No. 1 Wing Leading Edge Structure Assembly  
 Figure 2 (Sheet 43)

**57-43-41**

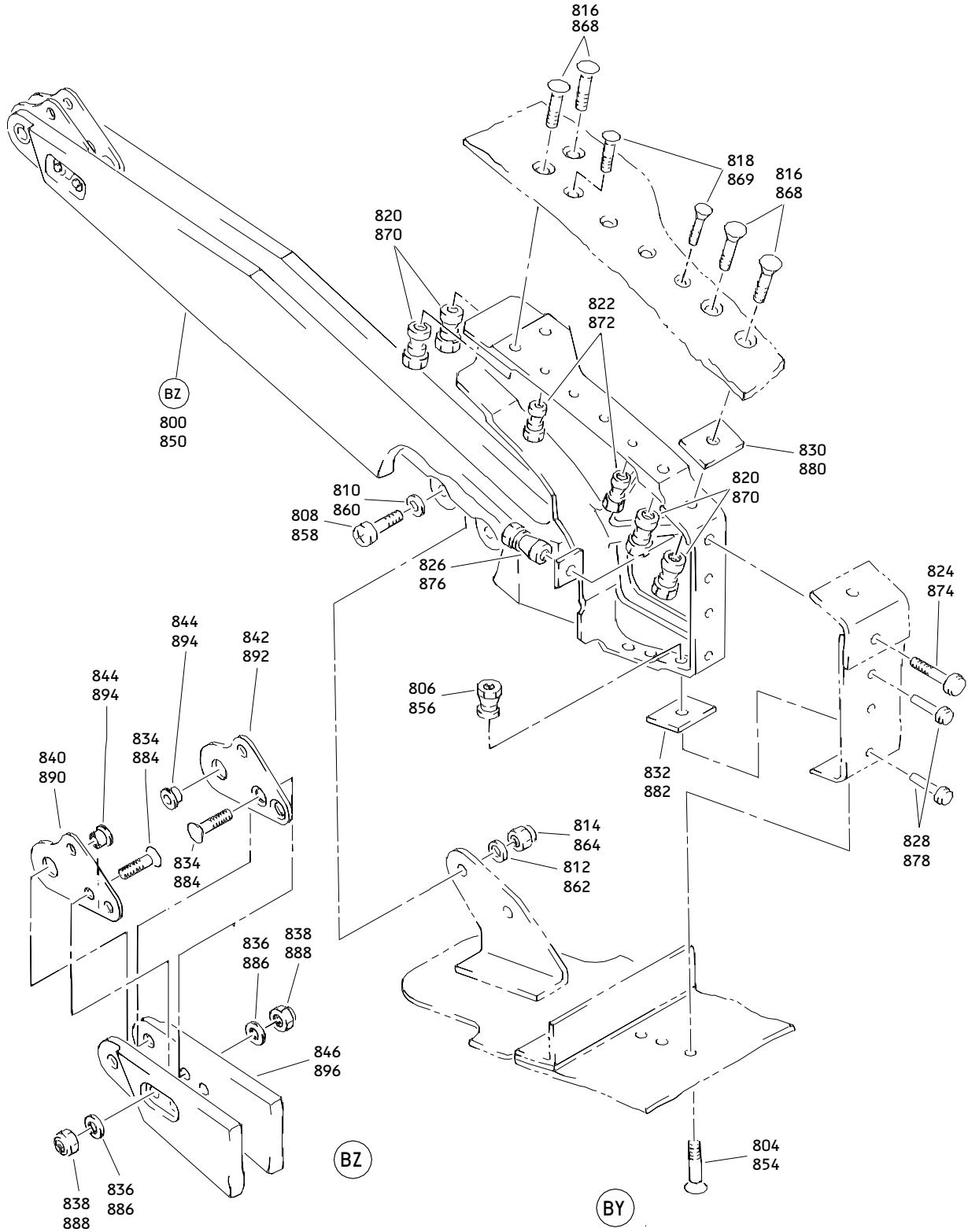
ILLUSTRATED PARTS LIST  
 01.1 Page 1082Q  
 Mar 01/04



Outboard Slat No. 1 Wing Leading Edge Structure Assembly  
 Figure 2 (Sheet 44)

**57-43-41**

ILLUSTRATED PARTS LIST  
 01.1 Page 1082R  
 Mar 01/04

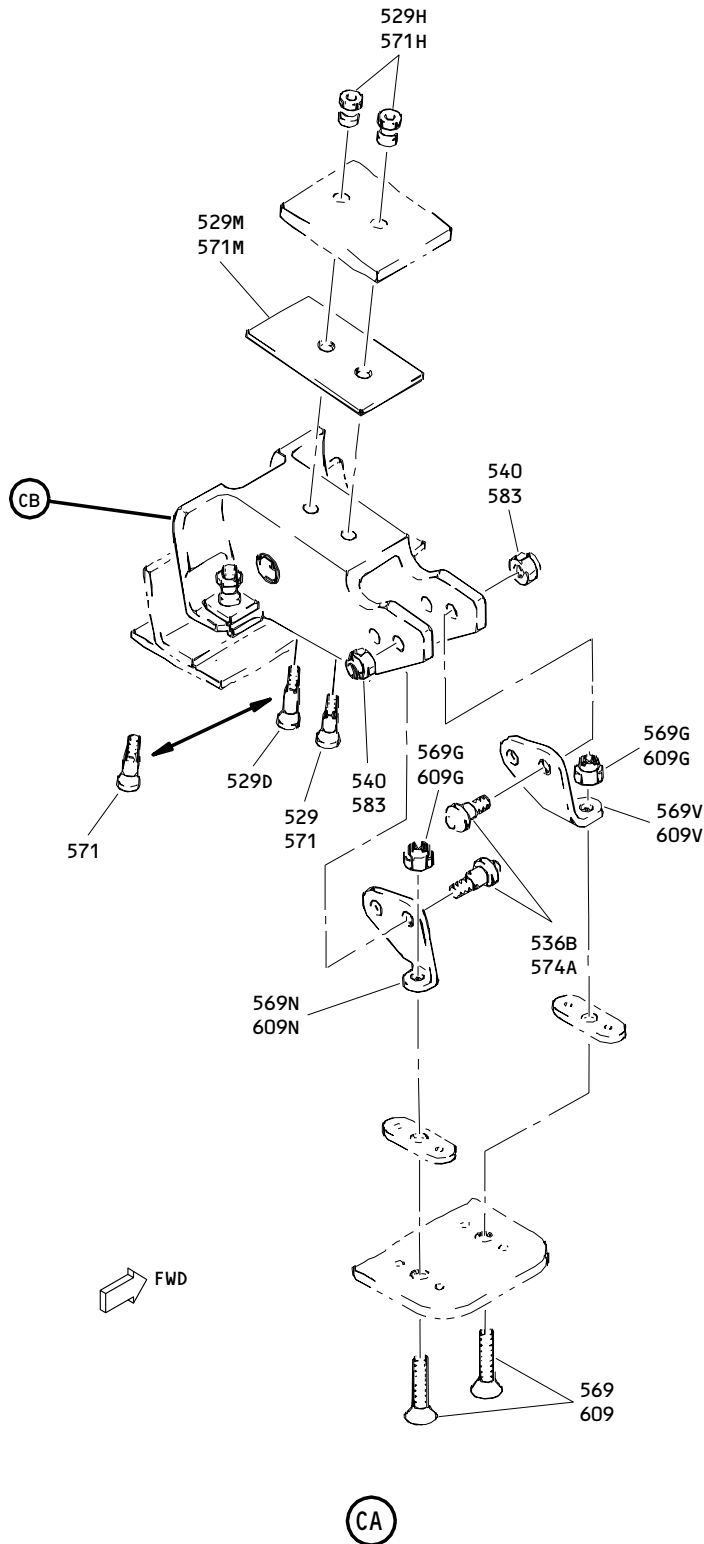


Outboard Slat No. 1 Wing Leading Edge Structure Assembly  
 Figure 2 (Sheet 45)

**57-43-41**

ILLUSTRATED PARTS LIST  
 01.1 Page 1082S  
 Mar 01/04

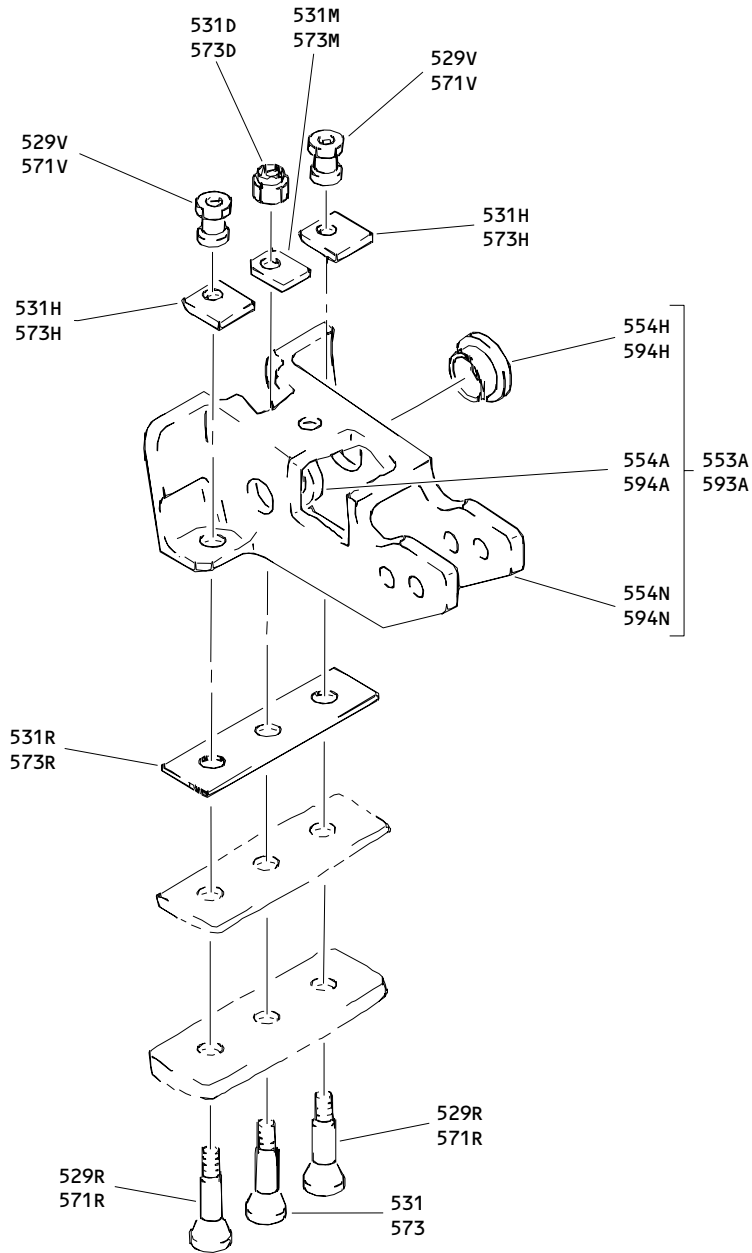




Outboard Slat No. 1 and 12 Wing Leading Edge Structure Assembly  
 Figure 2 (Sheet 46)

**57-43-41**

ILLUSTRATED PARTS LIST  
 01.1 Page 1082T  
 Mar 01/04

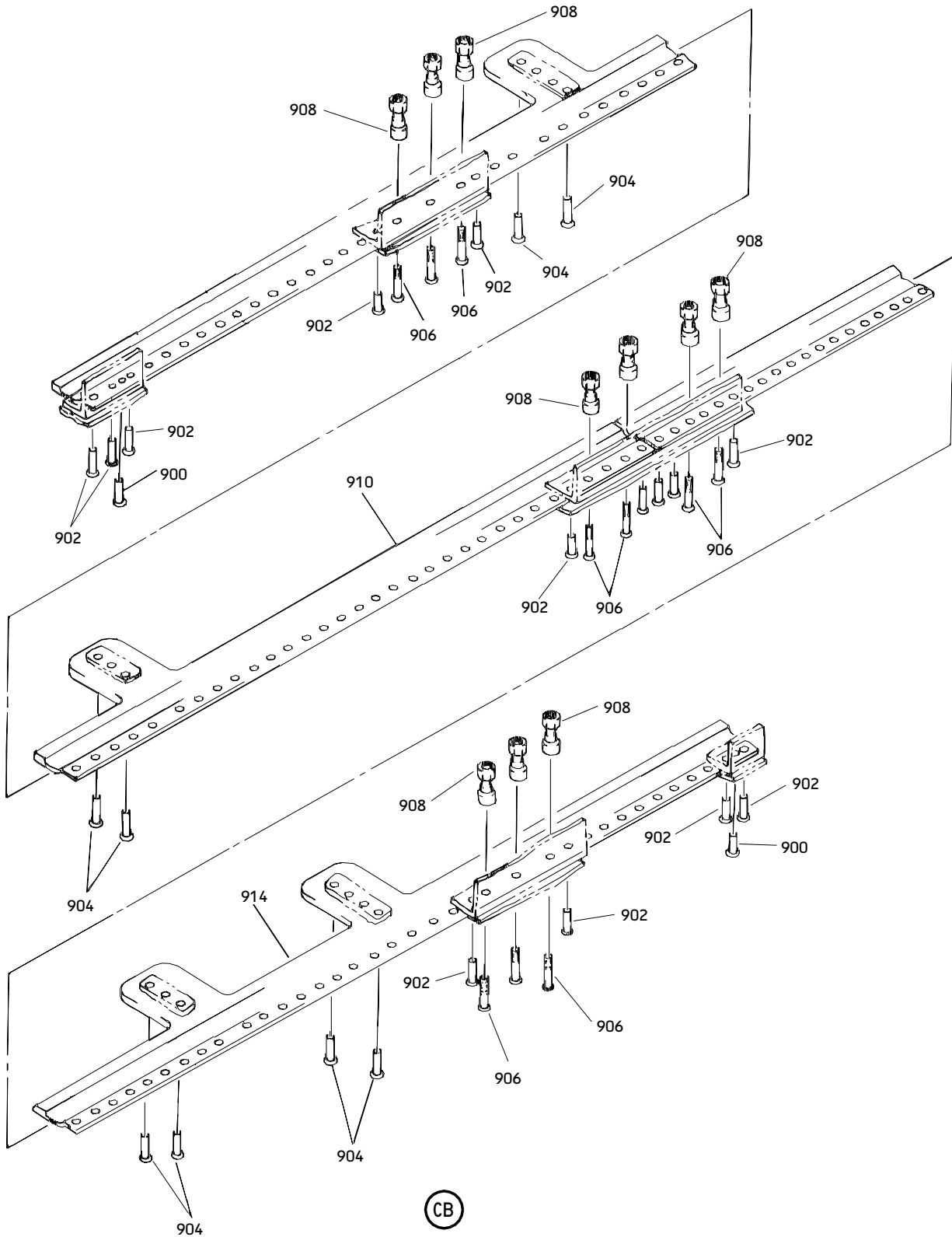


BC

Outboard Slat No. 1 and 12 Wing Leading Edge Structure Assembly  
Figure 2 (Sheet 47)

**57-43-41**

ILLUSTRATED PARTS LIST  
01.1 Page 1082U  
Mar 01/04



Outboard Slat No.1 and 12 Wing Leading Edge Structure Assembly  
 Figure 2 (Sheet 48)

**57-43-41**

ILLUSTRATED PARTS LIST  
 01.1 Page 1082V  
 Mar 01/04

114T4101  
 015T0165  
 015T1507  
 DASH NUMBERS LIMITED

 **BOEING**  
 COMPONENT  
 MAINTENANCE MANUAL

FIG. & ITEM	PART NO.	AIRLINE PART NUMBER	NOMENCLATURE 1234567	EFF CODE	QTY PER ASSY
02- -1	114T4101-15SP		STRUCTURE ASSY-OUTBD SLAT NO. 1 AND 12 WING LE (REWORK DWG 114T4181-1) (PRE SB 767-32-0107) (PRE SB 767-32-0095) (PRE SB 767-57A0057)	A	RF
-1A	114T4101-27		STRUCTURE ASSY-OUTBD SLAT NO. 1 AND 12 WING LE (VARIABLE) (REWORK DWG 114T4181-1) (PRE SB 767-57A0057)	C	RF
-1B	114T4101-31SP		STRUCTURE ASSY-OUTBD SLAT NO. 1 AND 12 WING LE (POST SB 767-32-0107) (PRE SB 767-57A0057)	Q	RF
-1C	114T4101-29		STRUCTURE ASSY-OUTBD SLAT NO. 1 AND 12 WING LE (VARIABLE) (PRE SB 767-57A0057)	D	RF
-1D	114T4101-33		STRUCTURE ASSY-OUTBD SLAT NO. 1 AND 12 WING LE (VARIABLE) (LH) (PRE SB 767-57A0057)	F	RF
-1E	114T4101-39		STRUCTURE ASSY-OUTBD SLAT NO. 1 AND 12 WING LE (VARIABLE) (LH) (PRE SB 767-57A0057)	T	RF
-1F	015T1507-101		STRUCTURE ASSY-OUTBD SLAT NO. 1 AND 12 WING LE (LH) (POST SB 767-57A0057)	AE	RF
-1G	015T1507-103		STRUCTURE ASSY-OUTBD SLAT NO. 1 AND 12 WING LE (LH) (POST SB 767-57A0057)	AF	RF
-1H	015T1507-105		STRUCTURE ASSY-OUTBD SLAT NO. 1 AND 12 WING LE (LH) (POST SB 767-57A0057)	AG	RF
-1J	015T1507-131		STRUCTURE ASSY-OUTBD SLAT NO. 1 AND 12 WING LE (LH) (POST SB 767-57A0057)	AH	RF
-1K	015T1507-133		STRUCTURE ASSY-OUTBD SLAT NO. 1 AND 12 WING LE (LH) (POST SB 767-57A0057)	AJ	RF

**57-43-41**

ILLUSTRATED PARTS LIST  
 01.1 Page 1082W  
 Mar 01/04

FIG. & ITEM	PART NO.	AIRLINE PART NUMBER	NOMENCLATURE 1234567	EFF CODE	QTY PER ASSY
02- -1L	015T1507-135		STRUCTURE ASSY-OUTBD SLAT NO. 1 AND 12 WING LE (LH) (POST SB 767-57A0057)	AK	RF
-1M	015T1507-109		STRUCTURE ASSY-OUTBD SLAT NO. 1 AND 12 WING LE (LH) (POST SB 767-57A0057)	AL	RF
-1N	015T1507-139		STRUCTURE ASSY-OUTBD SLAT NO. 1 AND 12 WING LE (LH) (POST SB 767-57A0057)	AM	RF
-1P	015T1507-111		STRUCTURE ASSY-OUTBD SLAT NO. 1 AND 12 WING LE (LH) (POST SB 767-57A0057)	AN	RF
-1Q	015T1507-141		STRUCTURE ASSY-OUTBD SLAT NO. 1 AND 12 WING LE (LH) (POST SB 767-57A0057)	AP	RF
-1R	015T1507-113		STRUCTURE ASSY-OUTBD SLAT NO. 1 AND 12 WING LE (LH) (POST SB 767-57A0057)	AQ	RF
-1S	015T1507-115		STRUCTURE ASSY-OUTBD SLAT NO. 1 AND 12 WING LE (LH) (POST SB 767-57A0057)	AR	RF
-1T	015T1507-117		STRUCTURE ASSY-OUTBD SLAT NO. 1 AND 12 WING LE (LH) (POST SB 767-57A0057)	AS	RF
-1U	015T1507-143		STRUCTURE ASSY-OUTBD SLAT NO. 1 AND 12 WING LE (LH) (POST SB 767-57A0057)	AT	RF
-1V	015T1507-145		STRUCTURE ASSY-OUTBD SLAT NO. 1 AND 12 WING LE (LH) (POST SB 767-57A0057)	AU	RF
-1W	015T1507-147		STRUCTURE ASSY-OUTBD SLAT NO. 1 AND 12 WING LE (LH) (POST SB 767-57A0057)	AV	RF
-1X	015T1507-119		STRUCTURE ASSY-OUTBD SLAT NO. 1 AND 12 WING LE (LH) (POST SB 767-57A0057)	AW	RF
-1Y	015T1507-149		STRUCTURE ASSY-OUTBD SLAT NO. 1 AND 12 WING LE (LH) (POST SB 767-57A0057)	AX	RF
-1Z	015T1507-123		STRUCTURE ASSY-OUTBD SLAT NO. 1 AND 12 WING LE (LH) (POST SB 767-57A0057)	AY	RF

# 57-43-41

 ILLUSTRATED PARTS LIST  
 01.1 Page 1082X  
 Mar 01/04

114T4101  
 015T0165  
 015T1507  
 DASH NUMBERS LIMITED

 **BOEING**  
 COMPONENT  
 MAINTENANCE MANUAL

FIG. & ITEM	PART NO.	AIRLINE PART NUMBER	NOMENCLATURE 1234567	EFF CODE	QTY PER ASSY
02- -2	114T4101-16SP		STRUCTURE ASSY-OUTBD SLAT NO. 1 AND 12 WING LE (REWORK DWG 114T4181-2) (PRE SB 767-32-0107) (PRE SB 767-32-0095) (PRE SB 767-57A0057)	M	RF
-2A	114T4101-28		STRUCTURE ASSY-OUTBD SLAT NO. 1 AND 12 WING LE (VARIABLE) (REWORK DWG 114T4181-2) (PRE SB 767-57A0057)	P	RF
-2B	114T4101-32SP		STRUCTURE ASSY-OUTBD SLAT NO. 1 AND 12 WING LE (POST SB 767-32-0107) (PRE SB 767-57A0057)	R	RF
-2C	114T4101-30		STRUCTURE ASSY-OUTBD SLAT NO. 1 AND 12 WING LE (VARIABLE) (PRE SB 767-57A0057)	E	RF
-2D	114T4101-34		STRUCTURE ASSY-OUTBD SLAT NO. 1 AND 12 WING LE (VARIABLE) (RH) (PRE SB 767-57A0057)	S	RF
-2E	114T4101-40		STRUCTURE ASSY-OUTBD SLAT NO. 1 AND 12 WING LE (VARIABLE) (RH) (PRE SB 767-57A0057)	U	RF
-2F	015T1507-153		STRUCTURE ASSY-OUTBD SLAT NO. 1 AND 12 WING LE (LH) (POST SB 767-57A0057)	AZ	RF
-2G	114T4101-5001		DELETED		
-2H	114T4101-5003		DELETED		
-2J	114T4101-5005		DELETED		
-2K	114T4101-5007		DELETED		
-2L	114T4101-5009		DELETED		
-2M	015T1507-102		STRUCTURE ASSY-OUTBD SLAT NO. 1 AND 12 WING LE (RH) (POST SB 767-57A0057)	BA	RF
-2N	015T1507-104		STRUCTURE ASSY-OUTBD SLAT NO. 1 AND 12 WING LE (RH) (POST SB 767-57A0057)	BB	RF

**57-43-41**

ILLUSTRATED PARTS LIST  
 01.1 Page 1082Y  
 Mar 01/04

FIG. & ITEM	PART NO.	AIRLINE PART NUMBER	NOMENCLATURE 1234567	EFF CODE	QTY PER ASSY
02- -2P	015T1507-106		STRUCTURE ASSY-OUTBD SLAT NO. 1 AND 12 WING LE (RH) (POST SB 767-57A0057)	BC	RF
-2Q	015T1507-132		STRUCTURE ASSY-OUTBD SLAT NO. 1 AND 12 WING LE (RH) (POST SB 767-57A0057)	BD	RF
-2R	015T1507-134		STRUCTURE ASSY-OUTBD SLAT NO. 1 AND 12 WING LE (RH) (POST SB 767-57A0057)	BE	RF
-2S	114T4101-5011		DELETED		
-2T	015T1507-136		STRUCTURE ASSY-OUTBD SLAT NO. 1 AND 12 WING LE (RH) (POST SB 767-57A0057)	BF	RF
-2U	015T1507-110		STRUCTURE ASSY-OUTBD SLAT NO. 1 AND 12 WING LE (RH) (POST SB 767-57A0057)	BG	RF
-2V	015T1507-140		STRUCTURE ASSY-OUTBD SLAT NO. 1 AND 12 WING LE (RH) (POST SB 767-57A0057)	BH	RF
-2W	015T1507-112		STRUCTURE ASSY-OUTBD SLAT NO. 1 AND 12 WING LE (RH) (POST SB 767-57A0057)	BJ	RF
-2X	015T1507-142		STRUCTURE ASSY-OUTBD SLAT NO. 1 AND 12 WING LE (RH) (POST SB 767-57A0057)	BK	RF
-2Y	015T1507-114		STRUCTURE ASSY-OUTBD SLAT NO. 1 AND 12 WING LE (RH) (POST SB 767-57A0057)	BL	RF
-2Z	015T1507-116		STRUCTURE ASSY-OUTBD SLAT NO. 1 AND 12 WING LE (RH) (POST SB 767-57A0057)	BM	RF
-3	114T4101-5002		DELETED		
-3A	114T4101-5004		DELETED		
-3B	114T4101-5006		DELETED		
-3C	114T4101-5008		DELETED		
-3D	114T4101-5010		DELETED		
-3E	015T1507-118		STRUCTURE ASSY-OUTBD SLAT NO. 1 AND 12 WING LE (RH) (POST SB 767-57A0057)	BN	RF
-3F	015T1507-144		STRUCTURE ASSY-OUTBD SLAT NO. 1 AND 12 WING LE (RH) (POST SB 767-57A0057)	BP	RF
-3G	114T4101-5012		DELETED		

# 57-43-41

 ILLUSTRATED PARTS LIST  
 01.1 Page 1082Z  
 Mar 01/04

114T4101  
 015T0165  
 015T1507  
 DASH NUMBERS LIMITED

 **BOEING**  
 COMPONENT  
 MAINTENANCE MANUAL

FIG. & ITEM	PART NO.	AIRLINE PART NUMBER	NOMENCLATURE 1234567	EFF CODE	QTY PER ASSY
02- -3H	015T1507-146		STRUCTURE ASSY-OUTBD SLAT NO. 1 AND 12 WING LE (RH) (POST SB 767-57A0057)	BQ	RF
-3J	015T1507-148		STRUCTURE ASSY-OUTBD SLAT NO. 1 AND 12 WING LE (RH) (POST SB 767-57A0057)	BR	RF
-3K	015T1507-120		STRUCTURE ASSY-OUTBD SLAT NO. 1 AND 12 WING LE (RH) (POST SB 767-57A0057)	BS	RF
-3L	015T1507-150		STRUCTURE ASSY-OUTBD SLAT NO. 1 AND 12 WING LE (RH) (POST SB 767-57A0057)	BT	RF
-3M	015T1507-124		STRUCTURE ASSY-OUTBD SLAT NO. 1 AND 12 WING LE (RH) (POST SB 767-57A0057)	BU	RF
-3N	015T1507-154		STRUCTURE ASSY-OUTBD SLAT NO. 1 AND 12 WING LE (RH) (POST SB 767-57A0057)	BV	RF
-3V	114T4101-5001		DELETED		
-3W	114T4101-5003		DELETED		
-3X	114T4101-5005		DELETED		
-3Y	114T4101-5007		DELETED		
-3Z	114T4101-5009		DELETED		
4	BACB30NT3K7		DELETED		
-4A	114T4101-5011		DELETED		
-4E	114T4101-5002		DELETED		
-4F	114T4101-5004		DELETED		
-4G	114T4101-5006		DELETED		
-4H	114T4101-5008		DELETED		
-4J	114T4101-5010		DELETED		
-4K	114T4101-5012		DELETED		
4W	BACB30NT3K7		DELETED		
5	AN960PD10L		DELETED		
6	114T4233-1		DELETED		
-6A	114T4101-5001		.STRUCTURE ASSY-(LIMITED)	A,C	1
-6B	114T4101-5003		.STRUCTURE ASSY-(LIMITED)	A,C	1

57-43-41

ILLUSTRATED PARTS LIST  
 01.1 Page 1083  
 Mar 01/04



FIG. & ITEM	PART NO.	AIRLINE PART NUMBER	NOMENCLATURE 1234567	EFF CODE	QTY PER ASSY
02- -6C	114T4101-5005		.STRUCTURE ASSY- (LIMITED)	A,C	1
-6D	114T4101-5007		.STRUCTURE ASSY- G**(LIMITED)	A,C	1
-6E	114T4101-5009		.STRUCTURE ASSY- (LIMITED)	A,C	1
-6F	114T4101-5011		.STRUCTURE ASSY	D,F,Q ,T	1
-6G	114T4101-5001		.STRUCTURE ASSY- (LIMITED) (REWORKED BY SB 767-57A0057)	AE-AM	1
-6H	114T4101-5003		.STRUCTURE ASSY- (LIMITED) (REWORKED BY SB 767-57A0057)	AE-AM	1
-6J	114T4101-5005		.STRUCTURE ASSY- (LIMITED) (REWORKED BY SB 767-57A0057)	AE-AM	1
-6K	114T4101-5007		.STRUCTURE ASSY- G**(LIMITED) (REWORKED BY SB 767-57A0057)	AE-AM	1
-6L	114T4101-5009		.STRUCTURE ASSY- (LIMITED) (REWORKED BY SB 767-57A0057)	AE-AM	1
-6M	114T4101-5011		.STRUCTURE ASSY- (REWORKED BY SB 767-57A0057)	AN-AZ	1

**57-43-41**

ILLUSTRATED PARTS LIST  
01.1 Page 1084  
Mar 01/04

FIG. & ITEM	PART NO.	AIRLINE PART NUMBER	NOMENCLATURE 1234567	EFF CODE	QTY PER ASSY
02-7	114T4101-5002		.STRUCTURE ASSY-(LIMITED)	M,P	1
-7A	114T4101-5004		.STRUCTURE ASSY-(LIMITED)	M,P	1
-7B	114T4101-5006		.STRUCTURE ASSY-(LIMITED)	M,P	1
-7C	114T4101-5008		.STRUCTURE ASSY-(LIMITED)	M,P	1
-7D	114T4101-5010		.STRUCTURE ASSY-(LIMITED)	M,P	1
-7E	114T4101-5012		.STRUCTURE ASSY	E,R,S U	1
-7F	114T4101-5002		.STRUCTURE ASSY-(LIMITED) (REWORKED BY SB 767-57A0057)	BA-BH	1
-7G	114T4101-5004		.STRUCTURE ASSY-(LIMITED) (REWORKED BY SB 767-57A0057)	BA-BH	1
-7H	114T4101-5006		.STRUCTURE ASSY-(LIMITED) (REWORKED BY SB 767-57A0057)	BA-BH	1
-7J	114T4101-5008		.STRUCTURE ASSY-(LIMITED) (REWORKED BY SB 767-57A0057)	BA-BH	1
-7K	114T4101-5010		.STRUCTURE ASSY-(LIMITED) (REWORKED BY SB 767-57A0057)	BA-BH	1
-7L	114T4101-5012		.STRUCTURE ASSY-(LIMITED) (REWORKED BY SB 767-57A0057)	BJ-BV	1

**57-43-41**

FIG. & ITEM	PART NO.	AIRLINE PART NUMBER	NOMENCLATURE 1234567	EFF CODE	QTY PER ASSY
02- -8 8A	114T4233-2 BACB30NT3K7		DELETED ..BOLT	A,C-F M, P-U,A E-BV	45
9 9A	114T4233-32 AN96OPD10L		DELETED ..WASHER	A,C-F M, P-U,A E-BV	45
10 10A	114T4233-3 114T4233-1		DELETED ..RETAINER	A,C,A E-AM	1
-11	114T4233-2		..RETAINER	M,P, BA-BH	1
-12 12A	114T4233-4 114T4233-32		DELETED ..RETAINER	D-F, Q-U,A N-AZ, BJ-BV	45
13	114T4233-3		..RETAINER	A,C,A E-AM	1
14 -14A	114T4233-5 114T4233-4		DELETED ..RETAINER	M,P, BA-BH	1
15	114T4233-5		..RETAINER	A,C,A E-AM	1
-16	114T4233-6		..RETAINER	M,P, BA-BH	1

# 57-43-41

 ILLUSTRATED PARTS LIST  
 01.1 Page 1084B  
 Mar 01/04

FIG. & ITEM	PART NO.	AIRLINE PART NUMBER	NOMENCLATURE 1234567	EFF CODE	QTY PER ASSY
02-18	114T4232-1		..SEAL-BULB (MFD FROM EXTR RUBBER F25.01 10-60754-319 42.10 IN.)	A,C,D ,F,Q, T,A E-AZ	1
-20	114T4232-2		..SEAL-BULB (MFD FROM EXTR RUBBER F25.01 10-60754-319 42.10 IN.)	E,M,P ,R,S, U,B A-BV	1
22	114T4232-3		..SEAL-BULB (MFD FROM EXTR RUBBER F25.01 10-60754-319 46.90 IN.)	A,C,D ,F,Q, T,A E-AZ	1
-24	114T4232-4		..SEAL-BULB (MFD FROM EXTR RUBBER F25.01 10-60754-319 46.90 IN.)	E,M,P ,R,S, U,B A-BV	1
26	114T4232-5		..SEAL-BULB (MFD FROM EXTR RUBBER F25.01 10-60754-319 48.50 IN.)	A,C,D ,F,Q, T,A E-AZ	1
-28	114T4232-6		..SEAL-BULB (MFD FROM EXTR RUBBER F25.01 10-60754-319 48.50 IN.)	E,M,P ,R,S, U,B A-BV	1
30	BACR15BA3AD		..RIVET- (SIZE DETERMINE ON INST)	A,C-F ,M, P-U,A E-BV	84
30A	BACR15BA3AD		..RIVET- (SIZE DETERMINE ON INST) (USED WITH ITEMS 32A, 32B)	A,C-F ,M, P-U,A E-BV	6
30B	BACR15BA3AD		..RIVET- (SIZE DETERMINE ON INST) (USED WITH ITEM 33)	A,C-F ,M, P-U,A E-BV	6
32	BACN10JQ32		..NUTPLATE	A,C-F ,M, P-U,A E-BV	40

57-43-41

FIG. & ITEM	PART NO.	AIRLINE PART NUMBER	NOMENCLATURE 1234567	EFF CODE	QTY PER ASSY
02-32A	BRFM20A3		..NUTPLATE- (V52828) (SPEC BACN10JN3) (OPT MF1000-3BAC (V15653)) (OPT NS103218-02 (V80539)) (OPT RMF9201M3 (V72962)) (OPT VN252A02 (V92215)) (OPT MF1000-3BAC (V15653)) (OPT MF53049-3 (V15653)) (REPLD BY ITEM 33)	A,C-F ,M, P-U,A E-BV	2
32B	NS103225-02		..NUTPLATE- (V80539) (SPEC BACN10KH3) (OPT RMF9209M3 (V72962)) (OPT RMF9209M3 (V72962)) (REPLD BY ITEM 33)	A,C-F ,M, P-U,A E-BV	1
33	BACN10JQ32		..NUTPLATE- (REPLS ITEMS 32A, 32B)	A,C-F ,M, P-U,A E-BV	3
34	NS103225-02		..NUTPLATE- (V80539) (SPEC BACN10KH3) (OPT RMF9209M3 (V72962)) (OPT RMF9209M3 (V72962))	A,C-F ,M, P-U,A E-BV	2
36	114T4226-1		..SEAL-WEDGE	A,C-F ,M, P-U,A E-BV	1
38	114T4226-2		..SEAL-WEDGE	A,C-F ,M, P-U,A E-BV	1

# 57-43-41

 ILLUSTRATED PARTS LIST  
 01.1 Page 1084D  
 Mar 01/04

114T4101  
 015T0165  
 015T1507  
 DASH NUMBERS LIMITED

 **BOEING**  
 COMPONENT  
 MAINTENANCE MANUAL

FIG. & ITEM	PART NO.	AIRLINE PART NUMBER	NOMENCLATURE 1234567	EFF CODE	QTY PER ASSY
02-40	114T4231-19		..RETAINER- (USED ON ITEMS 6A, 6B, 6G, 6H)	A,C,A E-AM	1
40A	114T4242-1		..RETAINER- (USED ON ITEMS 6D, 6E, 6F, 6K, 6L, 6M)	A,C,D ,F,Q, T,A E-AZ	1
-42	114T4231-20		..RETAINER- (USED ON ITEMS 7, 7A, 7F, 7G)	M,P, BA-BH	1
-42A	114T4242-2		..RETAINER- (USED ON ITEMS 7C, 7D, 7E, 7J, 7K, 7L)	E,M,P ,R,S, U,B A-BV	1
44	114T4231-21		..RETAINER- (USED ON ITEMS 6A, 6B, 6G, 6H)	A,C,A E-AM	1
44A	114T4242-3		..RETAINER- (USED ON ITEMS 6D, 6E, 6F, 6K, 6L, 6M)	A,C,D ,F,Q, T,A E-AZ	1
-46	114T4231-22		..RETAINER- (USED ON ITEMS 7, 7A, 7F, 7G)	M,P, BA-BH	1
-46A	114T4242-4		..RETAINER- (USED ON ITEMS 7C, 7D, 7E, 7J, 7K, 7L)	E,M,P ,R,S, U,B A-BV	1
48	114T4224-1		..SEAL-MOLDED BULB	A,C-F ,M, P-U,A E-BV	1
50	114T4224-2		..SEAL-MOLDED BULB	A,C-F ,M, P-U,A E-BV	1

**57-43-41**

ILLUSTRATED PARTS LIST  
 01.1 Page 1084E  
 Mar 01/04

FIG. & ITEM	PART NO.	AIRLINE PART NUMBER	NOMENCLATURE 1234567	EFF CODE	QTY PER ASSY
02-52	114T4236-1		..SEAL-SPONGE (MFD FROM SH SPONGE RUBBER BMS1-23 0.42 IN. 1.00 IN. 1.50 IN.)	A,C-F ,M, P-U,A E-BV	1
54	114T4236-2		..SEAL-SPONGE (MFD FROM SH SPONGE RUBBER BMS1-23 0.50 IN. 1.00 IN. 2.00 IN.)	A,C-F ,M, P-U,A E-BV	1
56	BACR15CE5KE		..RIVET- (SIZE DETERMINE ON INST)	A,C-F ,M, P-U,A E-BV	14
58	114T4225-1		..RETAINER	A,C-F ,M, P-U,A E-BV	1
60	114T4225-2		..RETAINER	A,C-F ,M, P-U,A E-BV	1
62 62A	BACB30N3K6 BACB30NN3K6		DELETED ..BOLT	A,C-F ,M, P-U,A E-BV	2
64	AN960PD10L		..WASHER	A,C-F ,M, P-U,A E-BV	2

# 57-43-41

 ILLUSTRATED PARTS LIST  
 01.1 Page 1084F  
 Mar 01/04

114T4101  
 015T0165  
 015T1507  
 DASH NUMBERS LIMITED

 **BOEING**  
 COMPONENT  
 MAINTENANCE MANUAL

FIG. & ITEM	PART NO.	AIRLINE PART NUMBER	NOMENCLATURE 1234567	EFF CODE	QTY PER ASSY
02-66	H10-3BAC		..NUT- (V15653) (SPEC BACN10JC3) (OPT NS202101-02 (V80539)) (OPT RMLH9075-3W (V72962)) (OPT T6S1032J (V71087)) (OPT VN303A02 (V92215)) (OPT 96-02 (V80539)) (OPT BRH10A3 (V52828))	A,C-F ,M, P-U,A E-BV	2
68	114T4237-5		..SEAL	A,C,D ,F,Q, T,A E-AZ	1
-70	114T4237-6		..SEAL	E,M,P ,R,S, U,B A-BV	1
72	114T4235-8		..RETAINER	A,C-F ,M, P-U,A E-BV	1
74	BACB30NN3K3		..BOLT	A,C-F ,M, P-U,A E-BV	16
76	BACB30NT3K3		..BOLT	A,C-F ,M, P-U,A E-BV	8

**57-43-41**

ILLUSTRATED PARTS LIST  
 01.1 Page 1084G  
 Mar 01/04



FIG. & ITEM	PART NO.	AIRLINE PART NUMBER	NOMENCLATURE 1234567	EFF CODE	QTY PER ASSY
02-78	BACR15BA3AD		..RIVET- (SIZE DETERMINE ON INST)	A,C-F ,M, P-U,A E-BV	48
80	BRFM20A3		..NUTPLATE- (V52828) (SPEC BACN10JN3) (OPT MF1000-3BAC (V15653)) (OPT NS103218-02 (V80539)) (OPT RMF9201M3 (V72962)) (OPT VN252A02 (V92215)) (OPT MF1000-3BAC (V15653)) (OPT MF53049-3 (V15653))	A,C-F ,M, P-U,A E-BV	18
82	NS103225-02		..NUTPLATE- (V80539) (SPEC BACN10KH3) (OPT RMF9209M3 (V72962)) (OPT RMF9209M3 (V72962))	A,C-F ,M, P-U,A E-BV	6
84	T8125C3C		DELETED		
86	NAS1195DD3KH		..SHIM	A,C-F ,M, P-U,A E-BV	2
88	NAS1195DD3XH		..SHIM	A,C-F ,M, P-U,A E-BV	2
90	BACS40R08C37F		..SHIM	A,C-F ,M, P-U,A E-BV	1

# 57-43-41

 ILLUSTRATED PARTS LIST  
 01.1 Page 1084H  
 Mar 01/04

114T4101  
 015T0165  
 015T1507  
 DASH NUMBERS LIMITED

 **BOEING**  
 COMPONENT  
 MAINTENANCE MANUAL

FIG. & ITEM	PART NO.	AIRLINE PART NUMBER	NOMENCLATURE 1234567	EFF CODE	QTY PER ASSY
02-92	114T4120-1		..FAIRING	A,C,D ,F,Q, T,A E-AZ	1
-94	114T4120-2		..FAIRING	E,M,P ,R,S, U,B A-BV	1
96	BACR15BA5AD		..RIVET- (SIZE DETERMINE ON INST)	A,C-F ,M, P-U,A E-BV	2
98	BACB30NU3K5		..BOLT	A,C-F ,M, P-U,A E-BV	1
98G	BACB30NU3K5		..BOLT	A,C,M ,P,A E-AM, BA-BH	10
-98H	BACB30NU3K4		..BOLT	D-F, Q-U,A N-AZ, BJ-BV	10
100	BACB30NT3K5		..BOLT	A,C-F ,M, P-U,A E-BV	1
102	BACB30NT3K3		..BOLT	A,C-F ,M, P-U,A E-BV	1

**57-43-41**

ILLUSTRATED PARTS LIST  
 01.1 Page 1084I  
 Mar 01/04

FIG. & ITEM	PART NO.	AIRLINE PART NUMBER	NOMENCLATURE 1234567	EFF CODE	QTY PER ASSY
02-103	BACB30NT3K5		DELETED		
104	BACR15FT6AD		..RIVET- (SIZE DETERMINE ON INST)	A,C,M ,P,A E-AM, BA-BH	1
104G	BACB30NT3K3		..BOLT	D-F, Q-U,A N-AZ, BJ-BV	1
106	BACR15FT5AD		..RIVET- (SIZE DETERMINE ON INST)	A,C-F ,M, P-U,A E-BV	18
106A	BACR15FT5AD		..RIVET- (SIZE DETERMINE ON INST)	A,C,M ,P,A E-AM, BA-BH	3
106H	BACB30NT3K3		..BOLT	D-F, Q-U,A N-AZ, BJ-BV	3
108	BACF3F008E113NN		..FILLER- (USED ON ITEMS 6A, 6B, 6E, 6G, 6H, 6L, 7, 7A, 7D, 7F, 7G, 7K)	A,C,M ,P,A E-AM, BA-BH	1
108A	BACF3F009E156NN		..FILLER- (USED ON ITEMS 6C, 6D, 6F, 6J, 6K, 6M, 7B, 7C, 7E, 7H, 7J, 7L)	A,C-F ,M, P-U,A E-BV	1

# 57-43-41

 ILLUSTRATED PARTS LIST  
 01.1 Page 1084J  
 Mar 01/04

114T4101  
 015T0165  
 015T1507  
 DASH NUMBERS LIMITED

 **BOEING**  
 COMPONENT  
 MAINTENANCE MANUAL

FIG. & ITEM	PART NO.	AIRLINE PART NUMBER	NOMENCLATURE 1234567	EFF CODE	QTY PER ASSY
02-110	114T4261-1		..PANEL-COVE	A,C,D ,F,Q, T,A E-AZ	1
-112	114T4261-2		..PANEL-COVE	E,M,P ,R,S, U,B A-BV	1
114	BACR15BA3AD		..RIVET- (SIZE DETERMINE ON INST)	A,C-F ,M, P-U,A E-BV	4
114A	BACR15BA3AD		..RIVET- (SIZE DETERMINE ON INST)	A,C,M ,P,A E-AM, BA-BH	20
114B	BACR15BA3AD		..RIVET- (SIZE DETERMINE ON INST)	D-F, Q-U,A N-AZ, BJ-BV	28
116	BRFM22A3-3		..NUTPLATE- (V52828) (SPEC BACN10JQ33) (OPT MF19058-3-3BAC (V15653))	A,C,M ,P,A E-AM, BA-BH	10
116A	BACN10JQ33		DELETED		
116G	BACN10JQ32		..NUTPLATE	D-F, Q-U,A N-AZ, BJ-BV	11
117	BACN10JQ34		DELETED		
118	NS103225-02		..NUTPLATE- (V80539) (SPEC BACN10KH3) (OPT RMF9209M3 (V72962)) (OPT RMF9209M3 (V72962))	A,C-F ,M, P-U,A E-BV	1

**57-43-41**

ILLUSTRATED PARTS LIST  
 01.1 Page 1084K  
 Mar 01/04

FIG. & ITEM	PART NO.	AIRLINE PART NUMBER	NOMENCLATURE 1234567	EFF CODE	QTY PER ASSY
02- 118A 118B	NS103225-02 NS103225-02		DELETED ..NUTPLATE- (V80539) (SPEC BACN10KH3) (OPT RMF9209M3 (V72962)) (OPT RMF9209M3 (V72962))	D-F, Q-U,A N-AZ, BJ-BV	3
119	NAS1195DD3KH		..SHIM- (USED WITH ITEM 118B)	D-F, Q-U,A N-AZ, BJ-BV	2
120	BACN10JQ32		..NUTPLATE	A,C-F ,M, P-U,A E-BV	1
121G	114T4901-1		..RIB- (USED ON ITEMS 6A, 6B, 6C, 6D, 6G, 6H, 6J, 6K)	A,C,A E-AM	1
121H	114T4901-3		..RIB ASSY-END (USED ON ITEMS 6E, 6F, 6L, 6M)	A,C,D ,F,Q, T,A E-AZ	1
-121J	114T4901-2		..RIB- (USED ON ITEMS 7, 7A, 7B, 7C, 7F, 7G, 7H, 7J)	M,P, BA-BH	1
-121K	114T4901-4		..RIB ASSY-END (USED ON ITEMS 7D, 7E, 7K, 7L)	E,M,P ,R,S, U,B A-BV	1
121M	BACR15BA3AD		...RIVET- (SIZE DETERMINE ON INST) (USED ON ITEMS 121H, 121K)	A,C-F ,M, P-U,A E-BV	2

# 57-43-41

 ILLUSTRATED PARTS LIST  
 01.1 Page 1084L  
 Mar 01/04

FIG. & ITEM	PART NO.	AIRLINE PART NUMBER	NOMENCLATURE 1234567	EFF CODE	QTY PER ASSY
02-121N	BRFM20A3		...NUTPLATE- (V52828) (SPEC BACN10JN3) (OPT MF1000-3BAC (V15653)) (OPT NS103218-02 (V80539)) (OPT RMF9201M3 (V72962)) (OPT VN252A02 (V92215)) (OPT MF1000-3BAC (V15653)) (OPT MF53049-3 (V15653)) (USED ON ITEMS 121H, 121K)	A,C-F ,M, P-U,A E-BV	1
121P	114T4901-5		...RIB- (USED ON ITEM 121H)	A,C,D ,F,Q, T,A E-AZ	1
-121Q	114T4901-6		...RIB- (USED ON ITEM 121K)	E,M,P ,R,S, U,B A-BV	1
122	BACB30NN3K6		..BOLT	A,C-F ,M, P-U,A E-BV	11
124	BACB30NT3K7		..BOLT	A,C-F ,M, P-U,A E-BV	19
124G	BACB30NT3K7		..BOLT	A,C,M ,P,A E-AM, BA-BH	26
124N	BACB30NT3K7		..BOLT	D-F, Q-U,A N-AZ, BJ-BV	26
125	BACB30NN3K7		..BOLT- (REWORK DWG 114T4181-1, 114T4181-2)	A,C,M ,P,A E-AM, BA-BH	2

57-43-41

FIG. & ITEM	PART NO.	AIRLINE PART NUMBER	NOMENCLATURE 1234567	EFF CODE	QTY PER ASSY
02-125G	BACB30NM3K10		..BOLT- (REWORK DWG 114T4181-1, 114T4181-2)	A,C,M ,P,A E-AM, BA-BH	2
125N	BACB30NN3K9		..BOLT- (REWORK DWG 114T4181-1, 114T4181-2)	A,C,M ,P,A E-AM, BA-BH	2
126	114T4261-3		..PANEL-COVE	A,C,A E-AM	1
-126G	114T4261-25		..PANEL-COVE	D,F,Q ,T,A N-AZ	1
-128	114T4261-4		..PANEL-COVE	M,P, BA-BH	1
-128G	114T4261-26		..PANEL-COVE	E,R,S ,U,B J-BV	1
130	BACR15BA3AD		..RIVET- (SIZE DETERMINE ON INST)	A,C-F ,M, P-U,A E-BV	60
132	BRFM22A4-3		..NUTPLATE- (V52828) (SPEC BACN10JQ34) (OPT MF19058-3-4BAC (V15653))	A,C-F ,M, P-U,A E-BV	8
134	BRFM22A3-3		..NUTPLATE- (V52828) (SPEC BACN10JQ33) (OPT MF19058-3-3BAC (V15653))	A,C-F ,M, P-U,A E-BV	1
136	BRFM22A5-3		..NUTPLATE- (V52828) (SPEC BACN10JQ35) (OPT MF19058-3-5BAC (V15653))	A,C-F ,M, P-U,A E-BV	17
138	NS103225-02		..NUTPLATE- (V80539) (SPEC BACN10KH3) (OPT RMF9209M3 (V72962)) (OPT RMF9209M3 (V72962))	A,C-F ,M, P-U,A E-BV	4

# 57-43-41

 ILLUSTRATED PARTS LIST  
 01.1 Page 1084N  
 Mar 01/04

114T4101  
 015T0165  
 015T1507  
 DASH NUMBERS LIMITED

 **BOEING**  
 COMPONENT  
 MAINTENANCE MANUAL

FIG. & ITEM	PART NO.	AIRLINE PART NUMBER	NOMENCLATURE 1234567	EFF CODE	QTY PER ASSY
02-140	NAS1195DD3KH		..SHIM	A,C-F ,M, P-U,A E-BV	2
141	114T4110-1		..STIFFENER	A,C-F ,M, P-U,A E-BV	1
142	BACB30NU3K5		..BOLT	A,C-F ,M, P-U,A E-BV	9
144	BACB30NT3K3		..BOLT	A,C-F ,M, P-U,A E-BV	2
146	BACB30NT3K4		..BOLT	A,C,M ,P,A E-AM, BA-BH	2
-146G	BACB30NT3K6		..BOLT	D-F, Q-U,A N-AZ, BJ-BV	2
148	BACB30NT3K5		..BOLT	A,C-F ,M, P-U,A E-BV	1
150	BACB30NT3K6		..BOLT	A,C,M ,P,A E-AM, BA-BH	1
-150G	BACB30NT3K5		..BOLT	D-F, Q-U,A N-AZ, BJ-BV	1

**57-43-41**

ILLUSTRATED PARTS LIST  
 01.1 Page 10840  
 Mar 01/04



FIG. & ITEM	PART NO.	AIRLINE PART NUMBER	NOMENCLATURE 1234567	EFF CODE	QTY PER ASSY
02-152	AN960PD10L		..WASHER	A,C-F ,M, P-U,A E-BV	2
154	H10-3BAC		..NUT- (V15653) (SPEC BACN10JC3) (OPT NS202101-02 (V80539)) (OPT RMLH9075-3W (V72962)) (OPT T6S1032J (V71087)) (OPT VN303A02 (V92215)) (OPT 96-02 (V80539)) (OPT BRH10A3 (V52828))	A,C-F ,M, P-U,A E-BV	2
156	114T4101-13		..FILLER- (USED ON ITEMS 6A, 6B, 6C, 6D, 6G, 6H, 6J, 6K, 7, 7A, 7B, 7C, 7F, 7G, 7H, 7J)	A,C,M ,P,A E-AM, BA-BH	1
158	BACR15FT6AD		..RIVET- (SIZE DETERMINE ON INST)	A,C-F ,M, P-U,A E-BV	27
158N	BACR15FT6AD		..RIVET- (SIZE DETERMINE ON INST)	A,C-F ,M,P, S-U,A E-BV	1
158P	BACR15CE6AD		..RIVET- (SIZE DETERMINE ON INST)	Q,R	1

# 57-43-41

 ILLUSTRATED PARTS LIST  
 01.1 Page 1084P  
 Mar 01/04

114T4101  
 015T0165  
 015T1507  
 DASH NUMBERS LIMITED

 **BOEING**  
 COMPONENT  
 MAINTENANCE MANUAL

FIG. & ITEM	PART NO.	AIRLINE PART NUMBER	NOMENCLATURE 1234567	EFF CODE	QTY PER ASSY
02-160	114T4261-5		..PANEL-COVE	A,C,A E-AM	1
-160G	114T4261-21		..PANEL-COVE	D,F,Q ,T,A N-AZ	1
-162	114T4261-6		..PANEL-COVE	M,P, BA-BH	1
-162G	114T4261-22		..PANEL-COVE	E,R,S ,U,B J-BV	1
164	BACR15BA3AD		..RIVET- (SIZE DETERMINE ON INST)	A,C-F ,M, P-U,A E-BV	26
166	BRFM22A3-3		..NUTPLATE- (V52828) (SPEC BACN10JQ33) (OPT MF19058-3-3BAC (V15653))	A,C-F ,M, P-U,A E-BV	5
168	BACN10JQ32		..NUTPLATE	A,C-F ,M, P-U,A E-AV	2
170	NS103225-02		..NUTPLATE- (V80539) (SPEC BACN10KH3) (OPT RMF9209M3 (V72962)) (OPT RMF9209M3 (V72962))	A,C-F ,M, P-U,A E-BV	6

**57-43-41**

ILLUSTRATED PARTS LIST  
 01.1 Page 1084Q  
 Mar 01/04

FIG. & ITEM	PART NO.	AIRLINE PART NUMBER	NOMENCLATURE 1234567	EFF CODE	QTY PER ASSY
02-171	114T4110-3		..STIFFENER	A,C-F ,M, P-U,A E-BV	1
172	BACB30NT3K7		..BOLT	A,C-F ,M, P-U,A E-BV	18
174	BACB30NN3K6		..BOLT	A,C-F ,M, P-U,A E-BV	5
176	BACF3F008E084NN		..FILLER- (USED ON ITEMS 6A, 6B, 6C, 6D, 6G, 6H, 6J, 6K, 7, 7A, 7B, 7C, 7F, 7G, 7H, 7J)	A,C,M ,P,A E-AM, BA-BH	1
-176G	BACF3F009E084NN		..FILLER	D-F, Q-U,A N-AZ, BJ-BV	1
178	114T4261-7		..PANEL-COVE	A,C,D ,F,Q, T,A E-AZ	1
-180	114T4261-8		..PANEL-COVE	E,M,P ,R,S, U,B A-BV	1
182	BACR15BA3AD		..RIVET- (SIZE DETERMINE ON INST)	A,C-F ,M, P-U,A E-BV	46
184	BRFM22A4-3		..NUTPLATE- (V52828) (SPEC BACN10JQ34) (OPT MF19058-3-4BAC (V15653))	A,C-F ,M, P-U,A E-BV	4

# 57-43-41

 ILLUSTRATED PARTS LIST  
 01.1 Page 1084R  
 Mar 01/04

FIG. & ITEM	PART NO.	AIRLINE PART NUMBER	NOMENCLATURE 1234567	EFF CODE	QTY PER ASSY
02-186	BACN10JQ36		..NUTPLATE	A,C-F ,M, P-U,A E-BV	16
188	BRFM22A3-3		..NUTPLATE- (V52828) (SPEC BACN10JQ33) (OPT MF19058-3-3BAC (V15653))	A,C-F ,M, P-U,A E-BV	1
190	BRFM22A5-3		..NUTPLATE- (V52828) (SPEC BACN10JQ35) (OPT MF19058-3-5BAC (V15653))	A,C-F ,M, P-U,A E-BV	2
191	114T4110-5		..STIFFENER	A,C-F ,M, P-U,A E-BV	1
192	BACB30NT3K7		..BOLT	A,C,M ,P,A E-AM, BA-BH	4
-192G	BACB30NT3K5		..BOLT	D-F, Q-U,A N-AZ, BJ-BV	4
194	114T4302-1		DELETED		
194A	114T4302-3		DELETED		
194B	114T4302-4		..FITTING-ALIGN.	A,C-F ,M, P-U,A E-BV	1

57-43-41

FIG. & ITEM	PART NO.	AIRLINE PART NUMBER	NOMENCLATURE 1234567	EFF CODE	QTY PER ASSY
02-196	BACB30NT3K7		..BOLT	A,C,M ,P,A E-AM, BA-BH	8
196A	BACR15FT5AD		..RIVET- (SIZE DETERMINE ON INST)	D-F, Q-U,A N-AZ, BJ-BV	6
196G	BACB30NT3K7		..BOLT	A,C,M ,P,A E-AM, BA-BH	2
-196H	BACB30NT3K5		..BOLT	D-F, Q-U,A N-AZ, BJ-BV	2
198	114T4177-1		..STRAP- (USED ON ITEMS 6A, 6B, 6C, 6D, 6G, 6H, 6J, 6K, 7, 7A, 7B, 7C, 7F, 7G, 7H, 7J)	A,C,M ,P,A E-AM, BA-BH	1
200	BACB30NU3K5		..BOLT	A,C-F ,M, P-U,A E-BV	22
202	BACB30NT3K3		..BOLT	A,C-F ,M, P-U,A E-BV	2

# 57-43-41

 ILLUSTRATED PARTS LIST  
 01.1 Page 1084T  
 Mar 01/04

FIG. & ITEM	PART NO.	AIRLINE PART NUMBER	NOMENCLATURE 1234567	EFF CODE	QTY PER ASSY
02-204	BACB30NN3K6		..BOLT	A,C-F ,M, P-U,A E-BV	2
206	114T4101-21		..FILLER-RADIUS	A,C-F ,M, P-U,A E-BV	2
208	BACR15FT5AD		..RIVET- (SIZE DETERMINE ON INST)	A,C-F ,M, P-U,A E-BV	40
210	BACF3F008E300NN		..FILLER- (USED ON ITEMS 6A, 6B, 6G, 6H, 7, 7A, 7F, 7G)	A,C,M ,P,A E-AM, BA-BH	1
-210G	BACF3F009E300NN		..FILLER- (USED ON ITEMS 6C, 6D, 6E, 6F, 6J, 6K, 6L, 6M, 7B, 7C, 7D, 7E, 7H, 7J, 7K, 7L)	A,C-F ,M, P-U,A E-BV	1
212	114T4261-9		..PANEL-COVE	A,C,D ,F,Q, T,A E-AZ	1
-214	114T4261-10		..PANEL-COVE	E,M,P ,R,S, U,B A-BV	1
216	BACR15BA3AD		..RIVET- (SIZE DETERMINE ON INST)	A,C-F ,M, P-U,A E-BV	56
216A	BACR15BA3AD		DELETED		
216B	BACR15BA3AD		..RIVET- (SIZE DETERMINE ON INST)	A,C,M ,P	24
218	BRFM22A3-3		..NUTPLATE- (V52828) (SPEC BACN10JQ33) (OPT MF19058-3-3BAC (V15653))	A,C-F ,M, P-U,A E-BV	22
218A	BACN10JQ33		DELETED		

57-43-41

FIG. & ITEM	PART NO.	AIRLINE PART NUMBER	NOMENCLATURE 1234567	EFF CODE	QTY PER ASSY
02-219	NS103225-02		..NUTPLATE- (V80539) (SPEC BACN10KH3) (OPT RMF9209M3 (V72962)) (OPT RMF9209M3 (V72962))	A,C,M ,P,A E-AM, BA-BH	4
220	BACN10JQ32		..NUTPLATE	A,C-F ,M, P-U,A E-BV	2
222	BRFM22A4-3		..NUTPLATE- (V52828) (SPEC BACN10JQ34) (OPT MF19058-3-4BAC (V15653))	A,C,M ,P,A E-AM, BA-BH	6
224	BRFM20A3		..NUTPLATE- (V52828) (SPEC BACN10JN3) (OPT MF1000-3BAC (V15653)) (OPT NS103218-02 (V80539)) (OPT RMF9201M3 (V72962)) (OPT VN252A02 (V92215)) (OPT MF1000-3BAC (V15653)) (OPT MF53049-3 (V15653))	A,C,M ,P,A E-AM, BA-BH	2
226	NS103225-02		..NUTPLATE- (V80539) (SPEC BACN10KH3) (OPT RMF9209M3 (V72962)) (OPT RMF9209M3 (V72962))	A,C-F ,M, P-U,A E-BV	4

**57-43-41**

114T4101  
 015T0165  
 015T1507  
 DASH NUMBERS LIMITED

 **BOEING**  
 COMPONENT  
 MAINTENANCE MANUAL

FIG. & ITEM	PART NO.	AIRLINE PART NUMBER	NOMENCLATURE 1234567	EFF CODE	QTY PER ASSY
02-228	NAS1195DD3KH		..SHIM	A,C-F ,M, P-U,A E-BV	2
228G	NAS1195DD3KH		..SHIM	A,C,M ,P,A E-AM, BA-BH	10
229	114T4110-7		..STIFFENER	A,C-F ,M, P-U,A E-BV	1
230	BACB30NT3K7		..BOLT	A,C-F ,M, P-U,A E-BV	18
232	BACB30NN3K6		..BOLT	A,C-F ,M, P-U,A E-BV	5
234	BACF3F008E084NN		..FILLER	A,C,M ,P,A E-AM, BA-BH	1
-234G	BACF3F009E084NN		..FILLER	D-F, Q-U,A N-AZ, BJ-BV	1
236	114T4261-11		..PANEL-COVE	A,C,D ,F,Q, T,A E-AZ	1

**57-43-41**

ILLUSTRATED PARTS LIST  
 01.1 Page 1084W  
 Mar 01/04



FIG. & ITEM	PART NO.	AIRLINE PART NUMBER	NOMENCLATURE 1234567	EFF CODE	QTY PER ASSY
02- -238	114T4261-12		..PANEL-COVE	E,M,P R,S, U,B A-BV	1
240	BACR15BA3AD		..RIVET- (SIZE DETERMINE ON INST)	A,C-F M, P-U,A E-BV	46
242	BRFM22A3-3		..NUTPLATE- (V52828) (SPEC BACN10JQ33) (OPT MF19058-3-3BAC (V15653))	A,C-F M, P-U,A E-BV	1
244	BRFM22A4-3		..NUTPLATE- (V52828) (SPEC BACN10JQ34) (OPT MF19058-3-4BAC (V15653))	A,C-F M, P-U,A E-BV	4
246	BRFM22A5-3		..NUTPLATE- (V52828) (SPEC BACN10JQ35) (OPT MF19058-3-5BAC (V15653))	A,C-F M, P-U,A E-BV	2
248	BACN10JQ36		..NUTPLATE	A,C-F M, P-U,A E-BV	16
249	114T4110-9		..STIFFENER	A,C-F M, P-U,A E-BV	1

# 57-43-41

 ILLUSTRATED PARTS LIST  
 01.1 Page 1084X  
 Mar 01/04

114T4101  
 015T0165  
 015T1507  
 DASH NUMBERS LIMITED

 **BOEING**  
 COMPONENT  
 MAINTENANCE MANUAL

FIG. & ITEM	PART NO.	AIRLINE PART NUMBER	NOMENCLATURE 1234567	EFF CODE	QTY PER ASSY
02-250	BACB30NU3K5		..BOLT	A,C-F ,M, P-U,A E-BV	9
252	BACB30NT3K4		..BOLT	A,C,M ,P,A E-AM, BA-BH	2
-252G	BACB30NT3K6		..BOLT	D-F, Q-U,A N-AZ, BJ-BV	2
254	BACB30NT3K3		..BOLT	A,C-F ,M, P-U,A E-BV	2
256	BACB30NT3K5		..BOLT	A,C-F ,M, P-U,A E-BV	1
258	BACB30NT3K6		..BOLT	A,C,M ,P,A E-AM, BA-BH	1
-258G	BACB30NT3K5		..BOLT	D-F, Q-U,A N-AZ, BJ-BV	1
260	114T4101-13		..FILLER	A,C,M ,P,A E-AM, BA-BH	1

**57-43-41**

ILLUSTRATED PARTS LIST  
 01.1 Page 1084Y  
 Mar 01/04

FIG. & ITEM	PART NO.	AIRLINE PART NUMBER	NOMENCLATURE 1234567	EFF CODE	QTY PER ASSY
02-262	AN960PD10L		..WASHER	A,C-F ,M, P-U,A E-BV	2
264	H10-3BAC		..NUT- (V15653) (SPEC BACN10JC3) (OPT NS202101-02 (V80539)) (OPT RMLH9075-3W (V72962)) (OPT T6S1032J (V71087)) (OPT VN303A02 (V92215)) (OPT 96-02 (V80539)) (OPT BRH10A3 (V52828))	A,C-F ,M, P-U,A E-BV	2
266	BACR15FT6AD		..RIVET- (SIZE DETERMINE ON INST)	A,C-F ,M, P-U,A E-BV	28
268	114T4261-13		..PANEL-COVE	A,C,A E-AM	1
-268G	114T4261-23		..PANEL-COVE	D,F,Q ,T,A N-AZ	1
-270	114T4261-14		..PANEL-COVE	M,P, BA-BH	1
-270G	114T4261-24		..PANEL-COVE	E,R,S ,U,B J-BV	1
272	BACR15BA3AD		..RIVET- (SIZE DETERMINE ON INST)	A,C-F ,M, P-U,A E-BV	26
274	BRFM22A3-3		..NUTPLATE- (V52828) (SPEC BACN10JQ33) (OPT MF19058-3-3BAC (V15653))	A,C-F ,M, P-U,A E-BV	5

# 57-43-41

 ILLUSTRATED PARTS LIST  
 01.1 Page 1084Z  
 Mar 01/04

FIG. & ITEM	PART NO.	AIRLINE PART NUMBER	NOMENCLATURE 1234567	EFF CODE	QTY PER ASSY
02-276	BACN10JQ32		..NUTPLATE	A,C-F ,M, P-U,A E-BV	2
278	NS103225-02		..NUTPLATE- (V80539) (SPEC BACN10KH3) (OPT RMF9209M3 (V72962)) (OPT RMF9209M3 (V72962))	A,C-F ,M, P-U,A E-BV	6
279	114T4110-11		..STIFFENER	A,C-F ,M, P-U,A E-BV	1
280	BACB30NN3K6		..BOLT	A,C-F ,M, P-U,A E-BV	14
282	BACB30NT3K7		..BOLT	A,C,M ,P,A E-AM, BA-BH	49
282G	BACB30NT3K7		..BOLT	D-F, Q-U,A N-AZ, BJ-BV	49
283	BACB30NN3K7		..BOLT- (REWORK DWG 114T4181-1, 114T4181-2)	A,C,M ,P,A E-AM, BA-BH	2
283G	BACB30NM3K10		..BOLT- (REWORK DWG 114T4181-1, 114T4181-2)	A,C,M ,P,A E-AM, BA-BH	2
283N	BACB30NN3K9		..BOLT- (REWORK DWG 114T4181-1, 114T4181-2)	A,C,M ,P,A E-AM, BA-BH	2
284	114T4261-15		..PANEL-COVE	A,C,A E-AM	1
-284G	114T4261-27		..PANEL-COVE	D,F,Q ,T,A N-AZ	1

57-43-41

FIG. & ITEM	PART NO.	AIRLINE PART NUMBER	NOMENCLATURE 1234567	EFF CODE	QTY PER ASSY
02- -286	114T4261-16		..PANEL-COVE	M,P, BA-BH	1
-286G	114T4261-28		..PANEL-COVE	E,R,S ,U,B J-BV	1
288	BACR15BA3AD		..RIVET- (SIZE DETERMINE ON INST)	A,C-F ,M, P-U,A E-BV	74
290	BRFM22A3-3		..NUTPLATE- (V52828) (SPEC BACN10JQ33) (OPT MF19058-3-3BAC (V15653))	A,C-F ,M, P-U,A E-BV	1
292	BRFM22A4-3		..NUTPLATE- (V52828) (SPEC BACN10JQ34) (OPT MF19058-3-4BAC (V15653))	A,C-F ,M, P-U,A E-BV	11
294	BRFM22A5-3		..NUTPLATE- (V52828) (SPEC BACN10JQ35) (OPT MF19058-3-5BAC (V15653))	A,C-F ,M, P-U,A E-BV	21
296	NS103225-02		..NUTPLATE- (V80539) (SPEC BACN10KH3) (OPT RMF9209M3 (V72962)) (OPT RMF9209M3 (V72962))	A,C-F ,M, P-U,A E-BV	4

# 57-43-41

 ILLUSTRATED PARTS LIST  
 01.1 Page 1086  
 Mar 01/04

FIG. & ITEM	PART NO.	AIRLINE PART NUMBER	NOMENCLATURE 1234567	EFF CODE	QTY PER ASSY
02-298	NAS1195DD3KH		..SHIM	A,C-F ,M, P-U,A E-BV	2
299	114T4110-13		..STIFFENER	A,C-F ,M, P-U,A E-BV	1
300	BACB30NU3K5		..BOLT	A,C-F ,M, P-U,A E-BV	1
300G	BACB30NU3K5		..BOLT	A,C,M ,P,A E-AM, BA-BH	13
-300N	BACB30NU3K4		..BOLT	D-F, Q-U,A N-AZ, BJ-BV	13
302	BACB30NT3K3		..BOLT	A,C-F ,M, P-U,A E-BV	1
304	BACB30NT3K5		..BOLT	A,C-F ,M, P-U,A E-BV	1
306	BACR15FT6AD		..RIVET- (SIZE DETERMINE ON INST)	A,C-F ,M, P-U,A E-BV	1
308	BACR15FT5AD		..RIVET- (SIZE DETERMINE ON INST)	A,C,M ,P,A E-AM, BA-BH	29

**57-43-41**

FIG. & ITEM	PART NO.	AIRLINE PART NUMBER	NOMENCLATURE 1234567	EFF CODE	QTY PER ASSY
02-308G	BACR15FT5AD		..RIVET- (SIZE DETERMINE ON INST)	D-F, Q-U,A N-AZ, BJ-BV	30
-310	BACF3F009E179NN		..FILLER- (USED ON ITEMS 6C, 6D, 6F,6J,6K,6M,7B,7C,7E, 7H,7J,7L)	A,C-F ,M, P-U, AE-BV	1
310A	BACF3F008E143NN		..FILLER- (USED ON ITEMS 6A, 6B, 6E,6G 6H,6L,7,7A,7D, 7F,7G,7K)	A,C, AE-AM	1
312	114T4261-17		..PANEL-COVE	A,C,D ,F,Q, T,A E-AZ	1
-314	114T4261-18		..PANEL-COVE	E,M,P ,R,S, U,B A-BV	1
316	BACR15BA3AD		..RIVET- (SIZE DETERMINE ON INST)	A,C-F ,M, P-U,A E-BV	30
316G	BACR15BA3AD		..RIVET- (SIZE DETERMINE ON INST)	A,C,M ,P,A E-AM, BA-BH	2
318	BACN10JQ32		..NUTPLATE	A,C-F ,M, P-U,A E-BV	1
320	BRFM22A3-3		..NUTPLATE- (V52828) (SPEC BACN10JQ33) (OPT MF19058-3-3BAC (V15653))	A,C,M ,P,A E-AM, BA-BH	13

# 57-43-41

 ILLUSTRATED PARTS LIST  
 01.1 Page 1086B  
 Mar 01/04

114T4101  
 015T0165  
 015T1507  
 DASH NUMBERS LIMITED

 **BOEING**  
 COMPONENT  
 MAINTENANCE MANUAL

FIG. & ITEM	PART NO.	AIRLINE PART NUMBER	NOMENCLATURE 1234567	EFF CODE	QTY PER ASSY
02- -320G	BACN10JQ32		..NUTPLATE	D-F, Q-U,A N-AZ, BJ-BV	13
322	NS103225-02		..NUTPLATE- (V80539) (SPEC BACN10KH3) (OPT RMF9209M3 (V72962)) (OPT RMF9209M3 (V72962))	A,C-F M, P-U,A E-BV	1
322G	NS103225-02		..NUTPLATE- (V80539) (SPEC BACN10KH3) (OPT RMF9209M3 (V72962)) (OPT F29779-3 (V15653))	A,C,M P,A E-AM, BA-BH	1
323	114T4110-15		..STIFFENER	A,C-F M, P-U,A E-BV	1
324 324A	BACB30NW6K BACS40R08C19F		DELETED ..SHIM	A,C-F M, P-U,A E-BV	6
326 326A	AN960PD10 BACS40R08C17F		DELETED ..SHIM	A,C-F M, P-U,A E-BV	1
328 328A	HL79-6 BACS40R08C10F		DELETED ..SHIM	A,C-F M, P-U,A E-BV	1
330	BACR15CE5KE		DELETED		

57-43-41

ILLUSTRATED PARTS LIST  
 01.1 Page 1086C  
 Mar 01/04



FIG. & ITEM	PART NO.	AIRLINE PART NUMBER	NOMENCLATURE 1234567	EFF CODE	QTY PER ASSY
02-330A	BACS40R08C09F		..SHIM	A,C-F ,M, P-U,A E-BV	1
332 332A	114T4101-3 BACS40R08C34F		DELETED ..SHIM- (USED WITH ITEMS 412A, 414A)	A,C,M ,P,A E-AM, BA-BH	1
334 -334A 334B	114T4175-19 114T4175-1 BACS40R08C18F		DELETED DELETED ..SHIM- (USED WITH ITEMS 412A, 414A)	A,C,M ,P,A E-AM, BA-BH	1
-336 -336A 336B	114T4175-20 114T4175-2 BACS40R08C51F		DELETED DELETED ..SHIM- (USED WITH ITEMS 412A, 414A)	A,C,M ,P,A E-AM, BA-BH	1
338 -338A 340 340A	114T4174-1 114T4174-2 114T4174-3 114T4174-1		DELETED DELETED DELETED ..SEAL-RUBBER (USED WITH ITEMS 413, 413A, 415, 415A)	A,C-F ,M, P-U,A E-BV	1
341	114T4174-2		..SEAL-RUBBER (USED WITH ITEMS 412A, 414A)	A,C,M ,P,A E-AM, BA-BH	1
342	114T4174-3		..SEAL-RUBBER	A,C-F ,M, P-U,A E-BV	6
344 -344A 344B	114T4173-1 114T4173-2 114T4174-4		DELETED DELETED ..SEAL-RUBBER	A,C-F ,M, P-U,A E-BV	3

# 57-43-41

 ILLUSTRATED PARTS LIST  
 01.1 Page 1086D  
 Mar 01/04

114T4101  
 015T0165  
 015T1507  
 DASH NUMBERS LIMITED

 **BOEING**  
 COMPONENT  
 MAINTENANCE MANUAL

FIG. & ITEM	PART NO.	AIRLINE PART NUMBER	NOMENCLATURE 1234567	EFF CODE	QTY PER ASSY
02-346	114T4173-3		DELETED		
346A	114T4174-5		..SEAL-RUBBER (USED WITH ITEMS 412A, 413, 413A, 414A, 415, 415A)	A,C,M ,P,A E-AM, BA-BH	1
348	114T4175-3		DELETED		
348A	114T4174-5		..SEAL-RUBBER (USED WITH ITEMS 413, 413A, 415, 415A)	A,C,M ,P,A E-AM, BA-BH	1
349	114T4174-6		..SEAL-RUBBER (USED WITH ITEMS 412A, 414A)	A,C,M ,P,A E-AM, BA-BH	1
350	114T4174-7		DELETED		
350A	114T4174-7		..SEAL-RUBBER	A,C-F ,M, P-U,A E-BV	2
352	114T4173-3		DELETED		
352A	114T4174-9		..SEAL-RUBBER (USED WITH ITEMS 413, 413A, 415, 415A)	A,C-F ,M, P-U,A E-BV	1
353	114T4174-8		..SEAL-RUBBER (USED WITH ITEMS 412A, 414A)	A,C,M ,P,A E-AM, BA-BH	1
354	114T4175-4		DELETED		
354A	114T4174-12		..SEAL-RUBBER	A,C-F ,M, P-U,A E-BV	1

**57-43-41**

ILLUSTRATED PARTS LIST  
 01.1 Page 1086E  
 Mar 01/04

FIG. & ITEM	PART NO.	AIRLINE PART NUMBER	NOMENCLATURE 1234567	EFF CODE	QTY PER ASSY
02- 356 356A	114T4174-3 114T4173-2		DELETED ..SEAL-SPONGE	A,C-F ,M, P-U,A E-BV	1
358 358A	114T4174-12 114T4173-1		DELETED ..SEAL-SPONGE (USED WITH ITEMS 412A, 414A)	A,C,M ,P,A E-AM, BA-BH	1
360 360A	114T4173-3 114T4173-2		DELETED ..SEAL-SPONGE (USED WITH ITEMS 412A, 414A)	A,C,M ,P,A E-AM, BA-BH	2
362 362A	114T4175-5 114T4173-3		DELETED ..SEAL-SPONGE	A,C-F ,M, P-U,A E-BV	13
364 364A	114T4174-3 114T4173-3		DELETED ..SEAL-SPONGE (USED WITH ITEMS 413, 413A, 415, 415A)	A,C-F ,M, P-U,A E-BV	2
366 366A	114T4174-4 114T4173-4		DELETED ..SEAL-SPONGE (USED WITH ITEMS 412A, 414A)	A,C,M ,P,A E-AM, BA-BH	2

# 57-43-41

 ILLUSTRATED PARTS LIST  
 01.1 Page 1086F  
 Mar 01/04

FIG. & ITEM	PART NO.	AIRLINE PART NUMBER	NOMENCLATURE 1234567	EFF CODE	QTY PER ASSY
02- 368 368A	114T4174-5 114T4173-5		DELETED ..SEAL-SPONGE (USED WITH ITEMS 412A, 414A)	A,C,M ,P,A E-AM, BA-BH	1
370 370A	114T4173-3 114T4173-6		DELETED ..SEAL-SPONGE (USED WITH ITEMS 412A, 414A)	A,C,M ,P,A E-AM, BA-BH	1
372 -372A 372B	114T4175-21 114T4175-6 BACB30NW6K		DELETED DELETED ..BOLT- (SIZE DETERMINE ON INST)	A,C-F ,M, P-U,A E-BV	37
-374 -374A 374B	114T4175-22 114T4175-6 AN960PD10		DELETED DELETED ..WASHER	A,C,M ,P,A E-AM, BA-BH	13
376 -376A 376B	114T4174-6 114T4174-5 AN960PD10		DELETED DELETED ..WASHER- (USED WITH ITEMS 413, 413A, 415, 415A)	A,C-F ,M, P-U,A E-BV	3
378 378A	114T4174-4 HL79-6		DELETED ..COLLAR- (V5M902) (SPEC BACC30M6) (OPT HL79-6 (V73197)) (OPT HL79-6 (V92215)) (OPT 66014-6 (V56878)) (OPT HL79-6 (V56878))	A,C-F ,M, P-U,A E-BV	37

57-43-41

FIG. & ITEM	PART NO.	AIRLINE PART NUMBER	NOMENCLATURE 1234567	EFF CODE	QTY PER ASSY
02-380 380A	114T4174-3 BACB30NW5K		DELETED ..BOLT- (SIZE DETERMINE ON INST) (USED WITH ITEMS 412A, 414A)	A,C,M ,P,A E-AM, BA-BH	12
382 -382A 382B	114T4173-6 114T4173-3 HL79-5		DELETED DELETED ..COLLAR- (V5M902) (SPEC BACC30M5) (OPT HL70-5 (V73197)) (OPT HL70-5 (V92215)) (OPT 66014-5 (V56878)) (OPT HL70-5 (V56878)) (USED WITH ITEMS 412A, 414A)	A,C,M ,P,A E-AM, BA-BH	12
384 384A	114T4173-3 BACR15CE5KE		DELETED ..RIVET- (SIZE DETERMINE ON INST)	A,C-F ,M, P-U,A E-BV	74
385	BACR15CE5KE		..RIVET- (USED WITH ITEMS 413, 413A, 415, 415A)	A,C-F ,M, P-U,A E-BV	28
386 -386A 386B	114T4175-23 114T4175-7 BACR15CE5KE		DELETED DELETED ..RIVET- (USED WITH ITEMS 412A, 414A)	A,C,M ,P,A E-AM, BA-BH	17
-388 -388A 388B	114T4175-24 114T4175-8 114T4101-23		DELETED DELETED ..WASHER	A,C-F ,M, P-U,A E-BV	23

# 57-43-41

 ILLUSTRATED PARTS LIST  
 01.1 Page 1086H  
 Mar 01/04

114T4101  
 015T0165  
 015T1507  
 DASH NUMBERS LIMITED

 **BOEING**  
 COMPONENT  
 MAINTENANCE MANUAL

FIG. & ITEM	PART NO.	AIRLINE PART NUMBER	NOMENCLATURE 1234567	EFF CODE	QTY PER ASSY
02-389	114T4101-23		..WASHER- (USED WITH ITEMS 413, 413A, 415, 415A)	A,C-F ,M, P-U,A E-BV	11
390	114T4174-4		DELETED		
390A	114T4101-23		..WASHER- (USED WITH ITEMS 412A, 414A)	A,C,M ,P,A E-AM, BA-BH	9
392	114T4174-8		DELETED		
-392A	114T4174-9		DELETED		
394	114T4173-5		DELETED		
-394A	114T4173-3		DELETED		
394B	114T4175-1		..SHIELD-THRM BARRIER (USED ON ITEMS 6C, 6D, 6E, 6F, 6J, 6K, 6L, 6M)	A,C,D ,F,Q, T,A E-AZ	1
-394C	114T4175-2		..SHIELD-THRM BARRIER (USED ON ITEMS 7B, 7C, 7D, 7E, 7H, 7J, 7K, 7L)	E,M,P ,R,S, U,B A-BV	1
396	114T4173-3		DELETED		
396A	114T4175-19		..SHIELD-THRM BARRIER (USED ON ITEMS 6A, 6B, 6G, 6H)	A,C,A E-AM	1
-396B	114T4175-20		DELETED		
-397	114T4175-20		..SHIELD-THRM BARRIER (USED ON ITEMS 7, 7A, 7G, 7H)	M,P, BA-BH	1

57-43-41

ILLUSTRATED PARTS LIST  
 01.1 Page 1086I  
 Mar 01/04

FIG. & ITEM	PART NO.	AIRLINE PART NUMBER	NOMENCLATURE 1234567	EFF CODE	QTY PER ASSY
02-398	114T4111-1		DELETED		
-398A	114T4111-7		DELETED		
-398B	114T4111-9		DELETED		
398C	114T4175-3		..SHIELD-THRM BARRIER	A,C-F M P-U,A E-BV	2
-400	114T4111-2		DELETED		
-400A	114T4111-8		DELETED		
-400B	114T4111-10		DELETED		
400C	114T4175-4		..SHIELD-THRM BARRIER	A,C-F M P-U,A E-BV	2
402	BACB30NW6K		ATTACHING PARTS		
402A	114T4175-5		DELETED ..SHIELD-THRM BARRIER (USED ON ITEMS 6A, 6B, 6C, 6D, 6E, 6F, 6G, 6H, 6J, 6K, 6L, 6M, 7B, 7C, 7D, 7E, 7H, 7J, 7K, 7L)	A,C-F M P-U,A E-BV	1
404	HL79-6		DELETED		
404A	114T4175-6		..SHIELD-THRM BARRIER (USED ON ITEMS 6C, 6D, 6E, 6F, 6J, 6K, 6L, 6M, 7, 7A, 7B, 7C, 7D, 7E, 7F, 7G, 7H, 7J, 7K, 7L)	A,C-F M P-U,A E-BV	1
406	BACR15CE5KE		DELETED		
406A	114T4175-21		..SHIELD-THRM BARRIER (USED ON ITEMS 6A, 6B, 6G, 6H)	A,C,A E-AM	1
-406B	114T4175-22		..SHIELD-THRM BARRIER (USED ON ITEMS 7, 7A, 7F, 7G)	M,P, BA-BH	1

# 57-43-41

FIG. & ITEM	PART NO.	AIRLINE PART NUMBER	NOMENCLATURE 1234567	EFF CODE	QTY PER ASSY
02-408 408A	BACS4OR08C19F 114T4175-7		DELETED ..SHIELD-THRM BARRIER (USED ON ITEMS 6C, 6D, 6E, 6F, 6J, 6K, 6L, 6M)	A,C,D ,F,Q, T,A E-AZ	1
-408B	114T4175-8		..SHIELD-THRM BARRIER (USED ON ITEMS 7B, 7C, 7D, 7E, 7H, 7J, 7K, 7L)	E,M,P ,R,S, U,B A-BV	1
410 410A	BACS4OR08C17F 114T4175-23		DELETED ..SHIELD-THRM BARRIER (USED ON ITEMS 6A, 6B, 6G, 6H)	A,C,A E-AM	1
-410B	114T4175-24		..SHIELD-THRM BARRIER (USED ON ITEMS 7, 7A, 7F, 7G)	M,P, BA-BH	1
412 412A	BACS4OR08C10F 114T4111-1		DELETED ..WEDGE ASSY-TE (-1 IS INTERCHANGEABLE WITH -19 OR -21 ONLY IF CUSTOMER COMPLIES WITH A/D 93-14-19) (USED ON ITEMS 6A, 6B) (PRE SB 767-57A0039) (PRE SB 767-57A0057)	A,C	1
-412B	114T4111-19		..WEDGE ASSY-TE (-1 IS INTERCHANGEABLE WITH -19 OR -21 ONLY IF CUSTOMER COMPLIES WITH A/D 93-14-19) (-7 IS INTERCHANGEABLE WITH -19 OR -21 ONLY IF CUSTOMER COMPLIES WITH A/D 93-14-19) (POST SB 767-57A0057)	AE-AG ,AL,A N,A Q-AS, AW,AY	1

57-43-41



FIG. & ITEM	PART NO.	AIRLINE PART NUMBER	NOMENCLATURE 1234567	EFF CODE	QTY PER ASSY
02-413	114T4111-7		..WEDGE ASSY-TE (-7 IS INTERCHANGEABLE WITH -19 OR -21 ONLY IF CUSTOMER COMPLIES WITH A/D 93-14-19) (OPT ITEM 413A) (USED ON ITEMS 6C, 6D, 6E, 6F) (PRE SB 767-57A0039) (PRE SB 767-57A0057)	A,C,D ,F,Q, T	1
-413A	114T4111-9		..WEDGE ASSY-TE (OPT ITEM 413) (USED ON ITEMS 6C, 6D, 6E, 6F) (PRE SB 767-57A0039) (PRE SB 767-57A0057)	A,C,D ,F,Q, T	1
-413B	114T4111-21		..WEDGE ASSY-TE (-1 IS INTERCHANGEABLE WITH -19 OR -21 ONLY IF CUSTOMER COMPLIES WITH A/D 93-14-19) (-7 IS INTERCHANGEABLE WITH -19 OR -21 ONLY IF CUSTOMER COMPLIES WITH A/D 93-14-19) (POST SB 767-57A0057)	AH-AK ,AM,A P,A T-AV, AX,AZ	1
414 -414A	BACS40R08C09F 114T4111-2		DELETED ..WEDGE ASSY-TE (-2 IS INTERCHANGEABLE WITH -20 OR -22 ONLY IF CUSTOMER COMPLIES WITH A/D 93-14-19) (USED ON ITEMS 7, 7A) (PRE SB 767-57A0039) (PRE SB 767-57A0057)	M,P	1
-414B	114T4111-20		..WEDGE ASSY-TE (-2 IS INTERCHANGEABLE WITH -20 OR -22 ONLY IF CUSTOMER COMPLIES WITH A/D 93-14-19) (-8 IS INTERCHANGEABLE WITH -20 OR -22 ONLY IF CUSTOMER COMPLIES WITH A/D 93-14-19) (POST SB 767-57A0057)	BA-BC ,BG,B J,B L-BN, BS,BU	1

# 57-43-41

 ILLUSTRATED PARTS LIST  
 01.1 Page 1086L  
 Mar 01/04

FIG. & ITEM	PART NO.	AIRLINE PART NUMBER	NOMENCLATURE 1234567	EFF CODE	QTY PER ASSY
02- -415	114T4111-8		..WEDGE ASSY-TE (-8 IS INTERCHANGEABLE WITH -20 OR -22 ONLY IF CUSTOMER COMPLIES WITH A/D 93-14-19) (OPT ITEM 415A) (USED ON ITEMS 7B, 7C, 7D, 7E) (PRE SB 767-57A0039) (PRE SB 767-57A0057)	E,M,P ,R,S, U	1
-415A	114T4111-10		..WEDGE ASSY-TE (OPT ITEM 415) (USED ON ITEMS 7B, 7C, 7D, 7E) (PRE SB 767-57A0039) (PRE SB 767-57A0057)	E,M,P ,R,S, U	1
-415B	114T4111-22		..WEDGE ASSY-TE (-2 IS INTERCHANGEABLE WITH -20 OR -22 ONLY IF CUSTOMER COMPLIES WITH A/D 93-14-19) (-8 IS INTERCHANGEABLE WITH -20 OR -22 ONLY IF CUSTOMER COMPLIES WITH A/D 93-14-19) (POST SB 767-57A0057)	BD-BF ,BH,B K,B P-BR, BT,BV	1
416 416A	BACS4OR08C08F BACB30NN3K5		DELETED ..BOLT	A,C,M ,P,A E-AM, BA-BH	4
-416H	BACB30NN3K4		..BOLT	D-F, Q-U,A N-AZ, BJ-BV	4

57-43-41

FIG. & ITEM	PART NO.	AIRLINE PART NUMBER	NOMENCLATURE 1234567	EFF CODE	QTY PER ASSY
02-417	BACR15BA3AD		..RIVET	A,C-F ,M, P-U,A E-BV	8
417A	BRFM22A3-3		..NUTPLATE- (V52828) (SPEC BACN10JQ33) (OPT MF19058-3-3BAC (V15653))	A,C,M ,P,A E-AM, BA-BH	4
-417H	BACN10JQ32		..NUTPLATE	D-F, Q-U,A N-AZ, BJ-BV	4
418	BACB30NN3K5		..BOLT	A,C-F ,M, P-U,A E-BV	18
420	114T4101-9		..SKIN	A,C,D ,F,Q, T,A E-AZ	1
-422	114T4101-10		..SKIN	E,M,P ,R,S, U,B A-BV	1
424	BACR15BA3AD		..RIVET- (SIZE DETERMINE ON INST)	A,C-F ,M, P-U,A E-BV	36

# 57-43-41

 ILLUSTRATED PARTS LIST  
 01.1 Page 1086N  
 Mar 01/04

114T4101  
 015T0165  
 015T1507  
 DASH NUMBERS LIMITED

 **BOEING**  
 COMPONENT  
 MAINTENANCE MANUAL

FIG. & ITEM	PART NO.	AIRLINE PART NUMBER	NOMENCLATURE 1234567	EFF CODE	QTY PER ASSY
02-426	BRFM22A4-3		..NUTPLATE- (V52828) (SPEC BACN10JQ34) (OPT MF19058-3-4BAC (V15653))	A,C-F ,M, P-U,A E-BV	18
428	114T4156-1		..PANEL ASSY-ACCESS	A,C,D ,F,Q, T,A E-AZ	1
-430	114T4156-2		..PANEL ASSY-ACCESS	E,M,P ,R,S, U,B A-BV	1
432	BACB30NN3K5		..BOLT	A,C,M ,P,A E-AM, BA-BH	27
432A	BACB30NN3K5		..BOLT	D-F, Q-U,A N-AZ, BJ-BV	28
434	BACR15BA3AD		-----*----- ..RIVET- (SIZE DETERMINE ON INST)	A,C,M ,P,A E-AM, BA-BH	48
434A	BACR15BA3AD		..RIVET- (SIZE DETERMINE ON INST)	D-F, Q-U,A N-AZ, BJ-BV	50

**57-43-41**

ILLUSTRATED PARTS LIST  
 01.1 Page 10860  
 Mar 01/04

FIG. & ITEM	PART NO.	AIRLINE PART NUMBER	NOMENCLATURE 1234567	EFF CODE	QTY PER ASSY
02-436	BACN10JQ32		..NUTPLATE	A,C-F M, P-U,A E-BV	7
438	BRFM22A4-3		..NUTPLATE- (V52828) (SPEC BACN10JQ34) (OPT MF19058-3-4BAC (V15653))	A,C,M P,A E-AM, BA-BH	14
438A	BRFM22A4-3		..NUTPLATE- (V52828) (SPEC BACN10JQ34) (OPT MF19058-3-4BAC (V15653))	D-F, Q-U,A N-AZ, BJ-BV	15
440	NS103225-02		..NUTPLATE- (V80539) (SPEC BACN10KH3) (OPT RMF9209M3 (V72962)) (OPT RMF9209M3 (V72962))	A,C-F M, P-U,A E-BV	3
442	NAS1195DD3KH		..SHIM	A,C-F M, P-U,A E-BV	4
444	114T4912-1		..FITTING ASSY-INSERT	A,C,D F,Q, T,A E-AZ	1
-446	114T4912-2		..FITTING ASSY-INSERT	E,M,P R,S, U,B A-BV	1
448	BACR15BA5A		ATTACHING PARTS ..RIVET- (SIZE DETERMINE ON INST)  -----*-----	A,C-F M, P-U,A E-BV	2

# 57-43-41

 ILLUSTRATED PARTS LIST  
 01.1 Page 1086P  
 Mar 01/04

FIG. & ITEM	PART NO.	AIRLINE PART NUMBER	NOMENCLATURE 1234567	EFF CODE	QTY PER ASSY
02-450	114T4600-17		..RIB ASSY-ACTR (OPT ITEM 450A) (USED ON ITEMS 6A, 6B, 6G, 6H)	A,C,A E-AM	1
-450A	114T4600-5		..RIB ASSY-ACTR (OPT ITEM 450) (USED ON ITEMS 6A, 6B, 6G, 6H)	A,C,A E-AM	1
-450B	114T4600-21		..RIB ASSY-ACTR (USED ON ITEMS 6E, 6F, 6L, 6M)	A,C,D ,F,Q, T,A E-AZ	1
-450C	114T4600-5		..RIB ASSY-ACTR (USED ON ITEMS 6C, 6D, 6J, 6K)	A,C,A E-AM	1
-452	114T4600-18		..RIB ASSY-ACTR (OPT ITEM 452A) (USED ON ITEMS 7, 7A, 7F, 7G)	M,P, BA-BH	1
452A	114T4600-6		..RIB ASSY-ACTR (OPT ITEM 452) (USED ON ITEMS 7, 7A, 7F, 7G)	M,P, BA-BH	1
-452B	114T4600-22		..RIB ASSY-ACTR (USED ON ITEMS 7D, 7E, 7K, 7L)	E,M,P ,R,S, U,B A-BV	1
-452C	114T4600-6		..RIB ASSY-ACTR (USED ON ITEMS 7B, 7C, 7H, 7J) ATTACHING PARTS	M,P, BA-BH	1
454	BACB30NU3K5		..BOLT	A,C,M ,P,A E-AM, BA-BH	2
-454A	BACB30NU3K6		..BOLT	D-F, Q-U,A N-AZ, BJ-BV	2

57-43-41

FIG. & ITEM	PART NO.	AIRLINE PART NUMBER	NOMENCLATURE 1234567	EFF CODE	QTY PER ASSY
02-454H	BACB30NU3K5		..BOLT	A,C,M P,A E-AM, BA-BH	3
-454J	BACB30NU3K3		..BOLT	D-F, Q-U,A N-AZ, BJ-BV	3
454N	BACB30NU3K5		..BOLT	A,C,M P,A E-AM, BA-BH	1
-454P	BACB30NU3K4		..BOLT	D-F, Q-U,A N-AZ, BJ-BV	1
456	AN960PD10		..WASHER	A,C-F M, P-U,A E-BV	6
458	H10-3BAC		..NUT- (V15653) (SPEC BACN10JC3) (OPT NS202101-02 (V80539)) (OPT RMLH9075-3W (V72962)) (OPT T6S1032J (V71087)) (OPT VN303A02 (V92215)) (OPT 96-02 (V80539)) (OPT BRH10A3 (V52828))	A,C-F M, P-U,A E-BV	6
459	BACS40R08C09F		..SHIM	A,C,M P,A E-AM, BA-BH	1
-459G	BACS40R08C16F		..SHIM	D-F, Q-U,A N-AZ, BJ-BV	1

# 57-43-41

 ILLUSTRATED PARTS LIST  
 01.1 Page 1086R  
 Mar 01/04

FIG. & ITEM	PART NO.	AIRLINE PART NUMBER	NOMENCLATURE 1234567	EFF CODE	QTY PER ASSY
02-460	BACB30NW5K		..BOLT- (SIZE DETERMINE ON INST)	A,C-F ,M, P-U,A E-BV	5
460G	BACB30NW5K		..BOLT- (SIZE DETERMINE ON INST)	A,C,M ,P,A E-AM, BA-BH	2
-460H	BACB30NW6K		..BOLT- (SIZE DETERMINE ON INST)	D-F, Q-U,A N-AZ, BJ-BV	2
462	BACB30MY6K		..BOLT- (SIZE DETERMINE ON INST)	A,C-F ,M, P-U,A E-BV	1
464	BACR15FT5AD		..RIVET- (SIZE DETERMINE ON INST)	A,C-F ,M, P-U,A E-BV	3
466	HL79-5		..COLLAR- (V5M902) (SPEC BACC30M5) (OPT HL70-5 (V73197)) (OPT HL70-5 (V92215)) (OPT 66014-5 (V56878)) (OPT HL70-5 (V56878))	A,C-F ,M, P-U,A E-BV	5
466G	HL79-5		..COLLAR- (V5M902) (SPEC BACC30M5) (OPT HL70-5 (V73197)) (OPT HL70-5 (V92215)) (OPT 66014-5 (V56878)) (OPT HL70-5 (V56878))	A,C,M ,P,A E-AM, BA-BH	2

**57-43-41**



FIG. & ITEM	PART NO.	AIRLINE PART NUMBER	NOMENCLATURE	EFF CODE	QTY PER ASSY
02- -466H	HL79-6		1234567 ..COLLAR- (V5M902) (SPEC BACC30M6) (OPT HL79-6 (V73197)) (OPT HL79-6 (V92215)) (OPT 66014-6 (V56878)) (OPT HL79-6 (V56878))	D-F, Q-U,A N-AZ, BJ-BV	2
468	HL79-6		..COLLAR- (V5M902) (SPEC BACC30M6) (OPT HL79-6 (V73197)) (OPT HL79-6 (V92215)) (OPT 66014-6 (V56878)) (OPT HL79-6 (V56878))	A,C-F ,M, P-U,A E-BV	1
468J	BACF3F005R005NN		..FILLER	D-F, Q-U,A N-AZ, BJ-BV	1
469	114T4101-22		..FILLER-RADIUS  -----*	A,C,M ,P,A E-AM, BA-BH	1

**57-43-41**

ILLUSTRATED PARTS LIST  
01.1 Page 1086T  
Mar 01/04

FIG. & ITEM	PART NO.	AIRLINE PART NUMBER	NOMENCLATURE 1234567	EFF CODE	QTY PER ASSY
02-470	BACB28AM07B015A		...BUSHING- (USED ON ITEMS 450, 450A, 450C, 452, 452A, 452C)	A,C,M ,P,A E-AM, BA-BH	1
-471	BACB28AM07B020A		...BUSHING- (USED ON ITEMS 450B, 452B)	A,C-F ,M, P-U,A E-BV	1
472	BACB28AP05P014		...BUSHING- (USED ON ITEMS 450A, 450C, 452A, 452C)	A,C,M ,P,A E-AM, BA-BH	1
-472A	BACB28AP05P019		DELETED		
-472B	012T2400-46		...BUSHING- (USED ON ITEMS 450, 452) (REWORK DWG 114T4181-1, 114T4181-2)	A,C,M ,P,A E-AM, BA-BH	1
-473	BACB28AP05P019		...BUSHING- (USED ON ITEMS 450B, 452B)	A,C-F ,M, P-U,A E-BV	1
474	BACR15BA3AD		...RIVET- (SIZE DETERMINE ON INST)	A,C-F ,M, P-U,A E-BV	60
476	BRFM22A4-3		...NUTPLATE- (V52828) (SPEC BACN10JQ34) (OPT MF19058-3-4BAC (V15653)) (USED ON ITEMS 450, 450A, 450C, 452, 452A, 452C)	A,C,M ,P,A E-AM, BA-BH	2

57-43-41

FIG. & ITEM	PART NO.	AIRLINE PART NUMBER	NOMENCLATURE 1234567	EFF CODE	QTY PER ASSY
02- -477	BRFM22A4-3		...NUTPLATE- (V52828) (SPEC BACN10JQ34) (OPT MF19058-3-4BAC (V15653)) (USED ON ITEMS 450B, 452B)	A,C-F ,M, P-U,A E-BV	4
478	BRFM22A5-3		...NUTPLATE- (V52828) (SPEC BACN10JQ35) (OPT MF19058-3-5BAC (V15653)) (USED ON ITEMS 450, 450A, 450C, 452, 452A, 452C)	A,C,M ,P,A E-AM, BA-BH	10
-479	BRFM22A5-3		...NUTPLATE- (V52828) (SPEC BACN10JQ35) (OPT MF19058-3-5BAC (V15653)) (USED ON ITEMS 450B, 452B)	A,C-F ,M, P-U,A E-BV	8
480	NS103225-02		...NUTPLATE- (V80539) (SPEC BACN10KH3) (OPT RMF9209M3 (V72962)) (OPT RMF9209M3 (V72962)) (USED ON ITEMS 450, 450A, 450C, 452, 452A, 452C)	A,C,M ,P,A E-AM, BA-BH	4
481	NS103225-02		...NUTPLATE- (V80539) (SPEC BACN10KH3) (OPT RMF9209M3 (V72962)) (OPT F29779-3 (V15653)) (USED ON ITEMS 450B, 452B)	A,C-F ,M, P-U,A E-BV	2

# 57-43-41

 ILLUSTRATED PARTS LIST  
 01.1 Page 1086V  
 Mar 01/04

FIG. & ITEM	PART NO.	AIRLINE PART NUMBER	NOMENCLATURE 1234567	EFF CODE	QTY PER ASSY
02-482	NAS1195DD3KH		...SHIM- (USED ON ITEMS 450, 450A, 450C, 452, 452A, 452C)	A,C,M ,P,A E-AM, BA-BH	12
483	NAS1195DD3KH		...SHIM- (USED ON ITEMS 450B, 452B)	A,C-F ,M, P-U,A E-BV	4
484	114T4600-19		...RIB- (USED ON ITEM 450)	A,C,A E-AM	1
-484A	114T4600-7		...RIB- (USED ON ITEMS 450A, 450C)	A,C,A E-AM	1
-484B	114T4600-23		...RIB- (USED ON ITEM 450B)	A,C,D ,F,Q, T,A E-AZ	1
-486	114T4600-20		...RIB- (USED ON ITEM 452)	M,P, BA-BH	1
-486A	114T4600-8		...RIB- (USED ON ITEMS 452A, 452C)	M,P, BA-BH	1
-486B	114T4600-24		...RIB- (USED ON ITEM 452B)	E,M,P ,R,S, U,B A-BV	1
488	114T4601-17		..RIB ASSY-ACTR (OPT ITEM 488A) (USED ON ITEMS 6A, 6B, 6G, 6H)	A,C,A E-AM	1
-488A	114T4601-5		..RIB ASSY-ACTR (OPT ITEM 488) (USED ON ITEMS 6A, 6B, 6G, 6H)	A,C,A E-AM	1
-488B	114T4601-21		..RIB ASSY-ACTR (USED ON ITEMS 6E, 6F, 6L, 6M)	A,C,D ,F,Q, T,A E-AZ	1
-488C	114T4601-5		..RIB ASSY-ACTR (USED ON ITEMS 6C, 6D, 6J, 6K)	A,C,A E-AM	1

57-43-41

FIG. & ITEM	PART NO.	AIRLINE PART NUMBER	NOMENCLATURE 1234567	EFF CODE	QTY PER ASSY
02- -490	114T4601-18		..RIB ASSY-ACTR (OPT ITEM 490A) (USED ON ITEMS 7, 7A, 7F, 7G)	M,P, BA-BH	1
-490A	114T4601-6		..RIB ASSY-ACTR (OPT ITEM 490) (USED ON ITEMS 7, 7A, 7F, 7G)	M,P, BA-BH	1
-490B	114T4601-22		..RIB ASSY-ACTR (USED ON ITEMS 7D, 7E, 7K, 7L)	E,M,P ,R,S, U,B A-BV	1
-490C	114T4601-6		..RIB ASSY-ACTR (USED ON ITEMS 7B, 7C, 7H, 7J)	M,P, BA-BH	1
492	BACB30NU3K5		ATTACHING PARTS ..BOLT	A,C,M ,P,A E-AM, BA-BH	3
-492A	BACB30NU3K3		..BOLT	D-F, Q-U,A N-AZ, BJ-BV	3
492H	BACB30NU3K5		..BOLT	A,C,M ,P,A E-AM, BA-BH	1
-492J	BACB30NU3K4		..BOLT	D-F, Q-U,A N-AZ, BJ-BV	1

# 57-43-41

 ILLUSTRATED PARTS LIST  
 01.1 Page 1086X  
 Mar 01/04

FIG. & ITEM	PART NO.	AIRLINE PART NUMBER	NOMENCLATURE 1234567	EFF CODE	QTY PER ASSY
02-494	AN960PD10		..WASHER	A,C-F ,M, P-U,A E-BV	4
496	H10-3BAC		..NUT- (V15653) (SPEC BACN10JC3) (OPT NS202101-02 (V80539)) (OPT RMLH9075-3W (V72962)) (OPT T6S1032J (V71087)) (OPT VN303A02 (V92215)) (OPT 96-02 (V80539)) (OPT BRH10A3 (V52828))	A,C-F ,M, P-U,A E-BV	4
498	BACB30NW5K		..BOLT- (SIZE DETERMINE ON INST)	A,C-F ,M, P-U,A E-BV	5
499	BACB30NW5K		..BOLT- (SIZE DETERMINE ON INST)	A,C,M ,P,A E-AM, BA-BH	2
-499A	BACB30NW6K		..BOLT- (SIZE DETERMINE ON INST)	D-F, Q-U,A N-AZ, BJ-BV	2
500	BACB30NW6K		..BOLT- (SIZE DETERMINE ON INST)	A,C,M ,P,A E-AM, BA-BH	2

**57-43-41**

FIG. & ITEM	PART NO.	AIRLINE PART NUMBER	NOMENCLATURE 1234567	EFF CODE	QTY PER ASSY
02-500G	BACB30NU3K6		..BOLT	D-F, Q-U,A N-AZ, BJ-BV	2
502	BACB30MY6K		..BOLT- (SIZE DETERMINE ON INST)	A,C-F ,M, P-U,A E-BV	1
504	HL79-5		..COLLAR- (V5M902) (SPEC BACC30M5) (OPT HL70-5 (V73197)) (OPT HL70-5 (V92215)) (OPT 66014-5 (V56878)) (OPT HL70-5 (V56878))	A,C,M ,P,A E-AM, BA-BH	5
505	HL79-5		..COLLAR- (V5M902) (SPEC BACC30M5) (OPT HL70-5 (V73197)) (OPT HL70-5 (V92215)) (OPT 66014-5 (V56878)) (OPT HL70-5 (V56878))	A,C,M ,P,A E-AM, BA-BH	2
-505A	HL79-6		..COLLAR- (V5M902) (SPEC BACC30M6) (OPT HL79-6 (V73197)) (OPT HL79-6 (V92215)) (OPT 66014-6 (V56878)) (OPT HL79-6 (V56878))	D-F, Q-U,A N-AZ, BJ-BV	2

# 57-43-41

 ILLUSTRATED PARTS LIST  
 01.1 Page 1086Z  
 Mar 01/04

FIG. & ITEM	PART NO.	AIRLINE PART NUMBER	NOMENCLATURE 1234567	EFF CODE	QTY PER ASSY
02-506	HL79-6		..COLLAR- (V5M902) (SPEC BACC30M6) (OPT HL79-6 (V73197)) (OPT HL79-6 (V92215)) (OPT 66014-6 (V56878)) (OPT HL79-6 (V56878))	A,C-F ,M, P-U,A E-BV	1
506G	HL79-6		..COLLAR- (V5M902) (SPEC BACC30M6) (OPT HL79-6 (V73197)) (OPT HL79-6 (V92215)) (OPT 66014-6 (V56878)) (OPT HL79-6 (V56878))	A,C,M ,P,A E-AM, BA-BH	2
506K	AN960PD10		..WASHER	D-F, Q-U,A N-AZ, BJ-BV	2
506P	H10-3BAC		..NUT- (V15653) (SPEC BACN10JC3) (OPT NS202101-02 (V80539)) (OPT RMLH9075-3W (V72962)) (OPT T6S1032J (V71087)) (OPT VN303A02 (V92215)) (OPT 96-02 (V80539)) (OPT BRH10A3 (V52828))	D-F, Q-U,A N-AZ, BJ-BV	2

57-43-41



FIG. & ITEM	PART NO.	AIRLINE PART NUMBER	NOMENCLATURE 1234567	EFF CODE	QTY PER ASSY
02-508	BACR15FT5AD		..RIVET- (SIZE DETERMINE ON INST)	A,C-F ,M, P-U,A E-BV	3
510	BACS40R08C09F		..SHIM	A,C,M ,P,A E-AM, BA-BH	1
510G	BACF3F005R005NN		..FILLER	D-F, Q-U,A N-AZ, BJ-BV	1
			-----*-----		
512	BACB28AM07B015A		...BUSHING- (USED ON ITEMS 488, 488A, 488C, 490, 490A, 490C)	A,C,M ,P,A E-AM, BA-BH	1
-512A	BACB28AM07B020A		...BUSHING- (USED ON ITEMS 488B, 490B)	A,C-F ,M, P-U,A E-BV	1
514	BACB28AP05P014		...BUSHING- (USED ON ITEMS 488A, 488C, 490A, 490C)	A,C,M ,P,A E-AM, BA-BH	1
-514A	BACB28AP05P019		DELETED		
-514B	012T2400-46		...BUSHING- (USED ON ITEMS 488, 490) (REWORK DWG 114T4181-1, 114T4181-2)	A,C,M ,P,A E-AM, BA-BH	1
-514C	BACB28AP05P019		...BUSHING- (USED ON ITEMS 488B, 490B)	A,C-F ,M, P-U,A E-BV	1

# 57-43-41

 ILLUSTRATED PARTS LIST  
 01.1 Page 1088  
 Mar 01/04

FIG. & ITEM	PART NO.	AIRLINE PART NUMBER	NOMENCLATURE 1234567	EFF CODE	QTY PER ASSY
02-516	BACR15BA3AD		...RIVET- (SIZE DETERMINE ON INST)	A,C-F ,M, P-U,A E-BV	24
516A	BACR15BA3AD		...RIVET- (SIZE DETERMINE ON INST) (USED ON ITEMS 488, 488A, 488C, 490, 490A, 490C)	A,C,M ,P,A E-AM, BA-BH	4
518	BRFM22A4-3		...NUTPLATE- (V52828) (SPEC BACN10JQ34) (OPT MF19058-3-4BAC (V15653))	A,C-F ,M, P-U,A E-BV	2
519	BRFM22A4-3		...NUTPLATE- (V52828) (SPEC BACN10JQ34) (OPT MF19058-3-4BAC (V15653)) (USED ON ITEMS 488B, 490B)	A,C-F ,M, P-U,A E-BV	2
520	BRFM22A5-3		...NUTPLATE- (V52828) (SPEC BACN10JQ35) (OPT MF19058-3-5BAC (V15653))	A,C-F ,M, P-U,A E-BV	8
521	BRFM22A5-3		...NUTPLATE- (V52828) (SPEC BACN10JQ35) (OPT MF19058-3-5BAC (V15653)) (USED ON ITEMS 488, 488A, 488C, 490, 490A, 490C)	A,C,M ,P,A E-AM, BA-BH	2

**57-43-41**

FIG. & ITEM	PART NO.	AIRLINE PART NUMBER	NOMENCLATURE 1234567	EFF CODE	QTY PER ASSY
02-522	NS103225-02		...NUTPLATE- (V80539) (SPEC BACN10KH3) (OPT RMF9209M3 (V72962)) (OPT RMF9209M3 (V72962))	A,C-F ,M, P-U,A E-BV	2
523	NS103225-02		...NUTPLATE- (V80539) (SPEC BACN10KH3) (OPT RMF9209M3 (V72962)) (OPT F29779-3 (V15653)) (USED ON ITEMS 488, 488A, 488C, 490, 490A, 490C)	A,C,M ,P,A E-AM, BA-BH	2
524	NAS1195DD3KH		...SHIM	A,C-F ,M, P-U,A E-BV	2
525	NAS1195DD3KH		...SHIM- (USED ON ITEMS 488, 488A, 488C, 490, 490A, 490C)	A,C,M ,P,A E-AM, BA-BH	8
526	114T4601-19		...RIB- (USED ON ITEM 488)	A,C,A E-AM	1
-526A	114T4601-7		...RIB- (USED ON ITEMS 488A, 488C)	A,C,A E-AM	1
-526B	114T4601-23		...RIB- (USED ON ITEM 488B)	A,C,D ,F,Q, T,A E-AZ	1
-528	114T4601-20		...RIB- (USED ON ITEM 490)	M,P, BA-BH	1
-528A	114T4601-8		...RIB- (USED ON ITEMS 490A, 490C)	M,P, BA-BH	1
-528B	114T4601-24		...RIB- (USED ON ITEM 490B)	E,M,P ,R,S, U,B A-BV	1

# 57-43-41

 ILLUSTRATED PARTS LIST  
 01.1 Page 1088B  
 Mar 01/04

114T4101  
 015T0165  
 015T1507  
 DASH NUMBERS LIMITED

 **BOEING**  
 COMPONENT  
 MAINTENANCE MANUAL

FIG. & ITEM	PART NO.	AIRLINE PART NUMBER	NOMENCLATURE 1234567	EFF CODE	QTY PER ASSY
02-529	HL11VAZ10-8		..BOLT- (V60516) (SPEC BACB30NW10K8) (OPT B30NW10K8 (V97928)) (OPT HL11VAZ10-8 (V73197)) (OPT HL11VAZ10-8 (V92215)) (OPT HL11VAZ10-8 (V97928)) (OPT L803-10K8 (V06725)) (OPT HL11VAZ10-8 (V0PTK6)) (OPT HL11VAZ10-8 (V56878)) (REWORK DWG 114T4181-1, 114T4181-2)	A,C,M ,P,A E-AM, BA-BH	1
529D	HL11VAZ10-9		..BOLT- (V60516) (SPEC BACB30NW10K9) (OPT B30NW10K9 (V97928)) (OPT HL11VAZ10-9 (V73197)) (OPT HL11VAZ10-9 (V92215)) (OPT HL11VAZ10-9 (V97928)) (OPT L803-10K9 (V06725)) (OPT HL11VAZ10-9 (V0PTK6)) (OPT HL11VAZ10-9 (V56878)) (REWORK DWG 114T4181-1, 114T4181-2)	A,C,M ,P,A E-AM, BA-BH	1

**57-43-41**

ILLUSTRATED PARTS LIST  
 01.1 Page 1088C  
 Mar 01/04

FIG. & ITEM	PART NO.	AIRLINE PART NUMBER	NOMENCLATURE 1234567	EFF CODE	QTY PER ASSY
02-529H	HL82-10APBW		..COLLAR- (V73197) (SPEC BACC30AG10) (OPT HL82-10APBW (V56878)) (OPT HL82-10APBW (V92215)) (REWORK DWG 114T4181-1, 114T4181-2)	A,C,M P,A E-AM, BA-BH	2
529M	BACS40R12C27F		..SHIM- (REWORK DWG 114T4181-1, 114T4181-2)	A,C,M P,A E-AM, BA-BH	1
529R	HL111VAZ6-9		..BOLT- (V60516) (SPEC BACB30NW6K9X) (OPT HL11VAZ6-9X (V73197)) (OPT HL11VAZ6-9X (V92215)) (OPT L803-6K9X (V06725)) (OPT B30NW6K9X (V97928)) (OPT HL11VAZ6-9X (V97928)) (OPT HL11VAZ6-9X (VOPTK6)) (OPT HL11VAZ6-9X (V60516)) (OPT HL11VAZ6-9X (V56878)) (REWORK DWG 114T4181-1, 114T4181-2)	A,C,M P,A E-AM, BA-BH	2

# 57-43-41

 ILLUSTRATED PARTS LIST  
 01.1 Page 1088D  
 Mar 01/04

114T4101  
 015T0165  
 015T1507  
 DASH NUMBERS LIMITED

 **BOEING**  
 COMPONENT  
 MAINTENANCE MANUAL

FIG. & ITEM	PART NO.	AIRLINE PART NUMBER	NOMENCLATURE 1234567	EFF CODE	QTY PER ASSY
02-529V	HL79-6		..COLLAR- (V5M902) (SPEC BACC30M6) (OPT HL79-6 (V73197)) (OPT HL79-6 (V92215)) (OPT 66014-6 (V56878)) (OPT HL79-6 (V56878)) (REWORK DWG 114T4181-1, 114T4181-2)	A,C,M ,P,A E-AM, BA-BH	2
530	114T4400-5		DELETED		
-530A	114T4400-9		DELETED		
530B	114T4400-13		DELETED		
531	BACB30LL3-7X		..BOLT- (REWORK DWG 114T4181-1, 114T4181-2)	A,C,M ,P,A E-AM, BA-BH	1
531D	H10-3BAC		..NUT- (V15653) (SPEC BACN10JC3) (OPT NS202101-02 (V80539)) (OPT RMLH9075-3W (V72962)) (OPT T6S1032J (V71087)) (OPT VN303A02 (V92215)) (OPT 96-02 (V80539)) (OPT BRH10A3 (V52828))	A,C,M ,P,A E-AM, BA-BH	1

57-43-41

ILLUSTRATED PARTS LIST  
 01.1 Page 1088E  
 Mar 01/04

FIG. & ITEM	PART NO.	AIRLINE PART NUMBER	NOMENCLATURE 1234567	EFF CODE	QTY PER ASSY
02-531H	114T6415-5		..FILLER-RADIUS (REWORK DWG 114T4181-1, 114T4181-2)	A,C,M ,P,A E-AM, BA-BH	2
531M	114T6415-2		..FILLER-RADIUS (REWORK DWG 114T4181-1, 114T4181-2)	A,C,M ,P,A E-AM, BA-BH	1
531R	BACS40R08C34F		..SHIM- (REWORK DWG 114T4181-1, 114T4181-2)	A,C,M ,P,A E-AM, BA-BH	1
-532	114T4400-6		DELETED		
-532A	114T4400-10		DELETED		
-532B	114T4400-14		DELETED		
534	BACB30NU3K5		..BOLT	A,C,M ,P,A E-AM, BA-BH	3
534G	BACB30NU3K3		..BOLT	D-F, Q-U,A N-AZ, BJ-BV	2
534L	BACB30NU3K4		..BOLT	D-F, Q-U,A N-AZ, BJ-BV	4
536	BACB30NT3K5		ATTACHING PARTS DELETED		
536A	BACB30NT3K22		DELETED		

# 57-43-41

 ILLUSTRATED PARTS LIST  
 01.1 Page 1088F  
 Mar 01/04

FIG. & ITEM	PART NO.	AIRLINE PART NUMBER	NOMENCLATURE 1234567	EFF CODE	QTY PER ASSY
02-536B	HL10VAZ6-5		..BOLT- (V60516) (SPEC BACB30MY6K5) (OPT B30MY6K5 (V97928)) (REWORK DWG 114T4181-1, 114T4181-2)	A,C,M ,P,A E-AM, BA-BH	4
536H	HL10VAZ6-5		..BOLT- (V60516) (SPEC BACB30MY6K5) (OPT B30MY6K5 (V97928))	D-F, Q-U,A N-AZ, BJ-BV	4
538	AN960PD10		..WASHER	A,C,M ,P,A E-AM, BA-BH	3
538G	AN960PD10		..WASHER	D-F, Q-U,A N-AZ, BJ-BV	6
540	H10-3BAC		..NUT- (V15653) (SPEC BACN10JC3) (OPT NS202101-02 (V80539)) (OPT RMLH9075-3W (V72962)) (OPT T6S1032J (V71087)) (OPT VN303A02 (V92215)) (OPT 96-02 (V80539)) (OPT BRH10A3 (V52828))	A,C,M ,P,A E-AM, BA-BH	5

**57-43-41**



FIG. & ITEM	PART NO.	AIRLINE PART NUMBER	NOMENCLATURE 1234567	EFF CODE	QTY PER ASSY
02-540G	H10-3BAC		..NUT- (V15653) (SPEC BACN10JC3) (OPT NS202101-02 (V80539)) (OPT RMLH9075-3W (V72962)) (OPT T6S1032J (V71087)) (OPT VN303A02 (V92215)) (OPT 96-02 (V80539)) (OPT BRH10A3 (V52828))	D-F, Q-U,A N-AZ, BJ-BV	10
541	BACS40R08C09F		..SHIM	A,C,M ,P,A E-AM, BA-BH	1
-541G	BACS40R08C21F		..SHIM	D-F, Q-U,A N-AZ, BJ-BV	1
542	BACB30NW6K		..BOLT- (SIZE DETERMINE ON INST)	A,C-F ,M, P-U,A E-BV	2
543	BACB30NW6K		..BOLT- (SIZE DETERMINE ON INST)	A,C,M ,P,A E-AM, BA-BH	2

# 57-43-41

 ILLUSTRATED PARTS LIST  
 01.1 Page 1088H  
 Mar 01/04

FIG. & ITEM	PART NO.	AIRLINE PART NUMBER	NOMENCLATURE 1234567	EFF CODE	QTY PER ASSY
02-543G	BACB30NU3K7		..BOLT	D-F, Q-U,A N-AZ, BJ-BV	4
544	BACB30MY6K		..BOLT- (SIZE DETERMINE ON INST)	A,C-F ,M, P-U,A E-BV	2
545	BACB30MY6K		..BOLT- (SIZE DETERMINE ON INST)	A,C,M ,P,A E-AM, BA-BH	2
545G 545H	BACR15FT6AD HST10AG6-6		DELETED ..BOLT- (VOPTK6) (SPEC BACB30VT6K6) (OPT HST10AG6-6 (V06725)) (OPT HST10AG6-6 (V56878)) (OPT HST10AG6-6 (V73197))	D-F, Q-U,A N-AZ, BJ-BV	2
545M	HST10AG6-5		..BOLT- (VOPTK6) (SPEC BACB30VT6K5) (OPT HST10AG6-5 (V06725)) (OPT HST10AG6-5 (V56878)) (OPT HST10AG6-5 (V73197))	D-F, Q-U,A N-AZ, BJ-BV	2

**57-43-41**

ILLUSTRATED PARTS LIST  
 01.1 Page 1088I  
 Mar 01/04

FIG. & ITEM	PART NO.	AIRLINE PART NUMBER	NOMENCLATURE 1234567	EFF CODE	QTY PER ASSY
02-545R	HST10AG6-4		..BOLT- (V06725) (SPEC BACB30VT6K4) (OPT HST10AG6-4 (V73197)) (OPT HST10AG6-4 (V56878)) (OPT HST10AG6-4 (VOPTK6))	D-F, Q-U,A N-AZ, BJ-BV	2
545V	HST79CY6		..COLLAR- (V73197) (SPEC BACC30BL6) (OPT HST79-6 (V56878)) (OPT HST79-6 (V92215)) (OPT HST79-6 (V5M902))	D-F, Q-U,A N-AZ, BJ-BV	6
546 546A	BAC10WCA3CV K29646-3		DELETED ..WASHER- (V15653) (SPEC BACW10CA3CV) (OPT 70188-3 (V56878)) (OPT 922007-3 (V60119)) (OPT 942007-3 (V60119))	A,C,M ,P,A E-AM, BA-BH	3

**57-43-41**

ILLUSTRATED PARTS LIST  
01.1 Page 1088J  
Mar 01/04

114T4101  
 015T0165  
 015T1507  
 DASH NUMBERS LIMITED

 **BOEING**  
 COMPONENT  
 MAINTENANCE MANUAL

FIG. & ITEM	PART NO.	AIRLINE PART NUMBER	NOMENCLATURE 1234567	EFF CODE	QTY PER ASSY
02-547	AN960PD10		..WASHER	D-F, Q-U,A N-AZ, BJ-BV	4
547G	H10-3BAC		..NUT- (V15653) (SPEC BACN10JC3) (OPT NS202101-02 (V80539)) (OPT RMLH9075-3W (V72962)) (OPT T6S1032J (V71087)) (OPT VN303A02 (V92215)) (OPT 96-02 (V80539)) (OPT BRH10A3 (V52828))	D-F, Q-U,A N-AZ, BJ-BV	4
548	HL79-6		..COLLAR- (V5M902) (SPEC BACC30M6) (OPT HL79-6 (V73197)) (OPT HL79-6 (V92215)) (OPT 66014-6 (V56878)) (OPT HL79-6 (V56878))	A,C-F ,M, P-U,A E-BV	4

**57-43-41**

ILLUSTRATED PARTS LIST  
 01.1 Page 1088K  
 Mar 01/04

FIG. & ITEM	PART NO.	AIRLINE PART NUMBER	NOMENCLATURE 1234567	EFF CODE	QTY PER ASSY
02-548G	HL79-6		..COLLAR- (V5M902) (SPEC BACC30M6) (OPT HL79-6 (V73197)) (OPT HL79-6 (V92215)) (OPT 66014-6 (V56878)) (OPT HL79-6 (V56878))	A,C,M ,P,A E-AM, BA-BH	4
549	114T4101-22		..FILLER-RADIUS	A,C,M ,P,A E-AM, BA-BH	1
550	BACB30NW5K		..BOLT- (SIZE DETERMINE ON INST)	A,C,M ,P,A E-AM, BA-BH	6
-550A	BACB30NW6K		..BOLT- (SIZE DETERMINE ON INST)	D-F, Q-U,A N-AZ, BJ-BV	6
550H	BACB30NW5K		..BOLT- (SIZE DETERMINE ON INST)	A,C,M ,P,A E-AM, BA-BH	1
550J	BACB30NW6K		..BOLT- (SIZE DETERMINE ON INST)	D-F, Q-U,A N-AZ, BJ-BV	2

# 57-43-41

 ILLUSTRATED PARTS LIST  
 01.1 Page 1088L  
 Mar 01/04

FIG. & ITEM	PART NO.	AIRLINE PART NUMBER	NOMENCLATURE 1234567	EFF CODE	QTY PER ASSY
02-552	HL79-5		..COLLAR- (V5M902) (SPEC BACC30M5) (OPT HL70-5 (V73197)) (OPT HL70-5 (V92215)) (OPT 66014-5 (V56878)) (OPT HL70-5 (V56878))	A,C,M ,P,A E-AM, BA-BH	6
-552A	HL79-6		..COLLAR- (V5M902) (SPEC BACC30M6) (OPT HL79-6 (V73197)) (OPT HL79-6 (V92215)) (OPT 66014-6 (V56878)) (OPT HL79-6 (V56878))	D-F, Q-U,A N-AZ, BJ-BV	6
552H	HL79-5		..COLLAR- (V5M902) (SPEC BACC30M5) (OPT HL70-5 (V73197)) (OPT HL70-5 (V92215)) (OPT 66014-5 (V56878)) (OPT HL70-5 (V56878))	A,C,M ,P,A E-AM, BA-BH	1

57-43-41

FIG. & ITEM	PART NO.	AIRLINE PART NUMBER	NOMENCLATURE 1234567	EFF CODE	QTY PER ASSY
02-552J	HL79-6		..COLLAR- (V5M902) (SPEC BACC30M6) (OPT HL79-6 (V73197)) (OPT HL79-6 (V92215)) (OPT 66014-6 (V56878)) (OPT HL79-6 (V56878))	D-F, Q-U,A N-AZ, BJ-BV	2
552N	BACF3F005R005NN		..FILLER	D-F, Q-U,A N-AZ, BJ-BV	2
553 553A	BACF3F005R005NN 114T4186-1		DELETED ..FITTING ASSY-MAIN TRACK RIB PIVOT (REWORK DWG 114T4181-1)	A,C,A E-AM	1
-553G	114T4186-2		..FITTING ASSY-MAIN TRACK RIB PIVOT (REWORK DWG 114T4181-2)	M,P, BA-BH	1
554 554A	BACB28AM13B023A 012T2400-41		DELETED ...BUSHING	A,C,M P,A E-AM, BA-BH	1
554G	BACB28AM10B043A		DELETED		

# 57-43-41

 ILLUSTRATED PARTS LIST  
 01.1 Page 1088N  
 Mar 01/04

114T4101  
 015T0165  
 015T1507  
 DASH NUMBERS LIMITED

 **BOEING**  
 COMPONENT  
 MAINTENANCE MANUAL

FIG. & ITEM	PART NO.	AIRLINE PART NUMBER	NOMENCLATURE 1234567	EFF CODE	QTY PER ASSY
02-554H	BACB28AM10B020A		...BUSHING	A,C,M P,A E-AM, BA-BH	1
554N	114T4186-3		...FITTING	A,C,A E-AM	1
-554T	114T4186-4		...FITTING	M,P, BA-BH	1
555	114T4400-5		..RIB ASSY-MAIN TRACK (REPLD BY ITEM 555B) (USED ON ITEMS 6A, 6B, 6C, 6D, 6G, 6H, 6J, 6K)	A,C,A E-AM	1
-555A	114T4400-9		..RIB ASSY-MAIN TRACK (REPLD BY ITEM 555B) (USED ON ITEMS 6E, 6L)	A,C,A E-AM	1
-555B	114T4181-3		..RIB ASSY-MAIN TRACK (REWORK) (REPLS ITEMS 555, 555A) (REWORK DWG 114T4181-1)	A,C,A E-AM	1
555C	114T4400-13		..RIB ASSY-MAIN TRACK	D,F,Q T,A N-AZ	1
556	BACB28AP09P022		DELETED		
556G	BACB28AP07P042		DELETED		
-556H	114T4400-6		..RIB ASSY-MAIN TRACK (REPLD BY ITEM 556K) (USED ON ITEMS 7, 7A, 7B, 7C, 7F, 7G, 7H, 7J)	M,P, BA-BH	1
-556J	114T4400-10		..RIB ASSY-MAIN TRACK (REPLD BY ITEM 556K) (USED ON ITEMS 7D, 7K)	M,P, BA-BH	1

**57-43-41**

ILLUSTRATED PARTS LIST  
 01.1 Page 10880  
 Mar 01/04



FIG. & ITEM	PART NO.	AIRLINE PART NUMBER	NOMENCLATURE 1234567	EFF CODE	QTY PER ASSY
02- -556K	114T4181-4		..RIB ASSY-MAIN TRACK (REWORK) (REPLS ITEMS 556H, 556J) (REWORK DWG 114T4181-2)	M,P, BA-BH	1
-556L	114T4400-14		..RIB ASSY-MAIN TRACK	E,R,S ,U,B J-BV	1
557	BACB28AM10B043A		...BUSHING	D-F, Q-U,A N-AZ, BJ-BV	1
557G	BACB28AP07P042		...BUSHING	D-F, Q-U,A N-AZ, BJ-BV	1
558	BACR15BA3AD		...RIVET- (SIZE DETERMINE ON INST)	A,C,M ,P,A E-AM, BA-BH	24
558G	BACR15BA3AD		...RIVET- (SIZE DETERMINE ON INST)	D-F, Q-U,A N-AZ, BJ-BV	20
558L	BACR15BA3AD		...RIVET- (SIZE DETERMINE ON INST)	A,C-F ,M, P-U,A E-BV	4

# 57-43-41

 ILLUSTRATED PARTS LIST  
 01.1 Page 1088P  
 Mar 01/04

FIG. & ITEM	PART NO.	AIRLINE PART NUMBER	NOMENCLATURE 1234567	EFF CODE	QTY PER ASSY
02-560	BRFM22A3-3		...NUTPLATE- (V52828) (SPEC BACN10JQ33) (OPT MF19058-3-3BAC (V15653))	A,C,M ,P,A E-AM, BA-BH	12
560G	BRFM22A3-3		...NUTPLATE- (V52828) (SPEC BACN10JQ33) (OPT MF19058-3-3BAC (V15653))	D-F, Q-U,A N-AZ, BJ-BV	10
562	NS103225-02		...NUTPLATE- (V80539) (SPEC BACN10KH3) (OPT RMF9209M3 (V72962)) (OPT RMF9209M3 (V72962))	A,C-F ,M, P-U,A E-BV	2
564	NAS1195DD3KH		...SHIM	A,C-F ,M, P-U,A E-BV	2
566	114T4400-7		...RIB- (USED ON ITEM 555)	A,C,A E-AM	1
-566A	114T4400-11		...RIB- (USED ON ITEM 555A)	A,C,A E-AM	1
566B	114T4400-15		...RIB	D,F,Q ,T,A N-AZ	1
-568	114T4400-8		...RIB- (USED ON ITEM 556H)	M,P, BA-BH	1
-568A	114T4400-12		...RIB- (USED ON ITEM 556J)	M,P, BA-BH	1
-568B	114T4400-16		...RIB	E,R,S ,U,B J-BV	1

57-43-41

FIG. & ITEM	PART NO.	AIRLINE PART NUMBER	NOMENCLATURE 1234567	EFF CODE	QTY PER ASSY
02-569	BACS12ER3C15		..SCREW- (REWORK DWG 114T4181-1, 114T4181-2)	A,C,M ,P,A E-AM, BA-BH	2
569G	H10-3BAC		..NUT- (V15653) (SPEC BACN10JC3) (OPT NS202101-02 (V80539)) (OPT RMLH9075-3W (V72962)) (OPT T6S1032J (V71087)) (OPT VN303A02 (V92215)) (OPT 96-02 (V80539)) (OPT BRH10A3 (V52828))	A,C,M ,P,A E-AM, BA-BH	2
569N	114T6419-9		..FITTING-CLOSURE PNL SPRT	A,C,M ,P,A E-AM, BA-BH	1
569V	114T6419-10		..FITTING-CLOSURE PNL SPRT	A,C,M ,P,A E-AM, BA-BH	1
570	114T4401-5		DELETED		

# 57-43-41

 ILLUSTRATED PARTS LIST  
 01.1 Page 1088R  
 Mar 01/04

114T4101  
 015T0165  
 015T1507  
 DASH NUMBERS LIMITED

 **BOEING**  
 COMPONENT  
 MAINTENANCE MANUAL

FIG. & ITEM	PART NO.	AIRLINE PART NUMBER	NOMENCLATURE 1234567	EFF CODE	QTY PER ASSY
02- -570A 570B 571	114T4401-9 114T4401-13 HL11VAZ10-8		DELETED DELETED ..BOLT- (V60516) (SPEC BACB30NW10K8) (OPT B30NW10K8 (V97928)) (OPT HL11VAZ10-8 (V73197)) (OPT HL11VAZ10-8 (V92215)) (OPT HL11VAZ10-8 (V97928)) (OPT L803-10K8 (V06725)) (OPT HL11VAZ10-8 (V0PTK6)) (OPT HL11VAZ10-8 (V56878)) (REWORK DWG 114T4181-1, 114T4181-2)	A,C,M ,P,A E-AM, BA-BH	2
571H	HL82-10APBW		..COLLAR- (V73197) (SPEC BACC30AG10) (OPT HL82-10APBW (V56878)) (OPT HL82-10APBW (V92215)) (REWORK DWG 114T4181-1, 114T4181-2)	A,C,M ,P,A E-AM, BA-BH	2
571M	BACS40R12C27F		..SHIM- (REWORK DWG 114T4181-1, 114T4181-2)	A,C,M ,P,A E-AM, BA-BH	1

**57-43-41**

ILLUSTRATED PARTS LIST  
 01.1 Page 1088S  
 Mar 01/04

FIG. & ITEM	PART NO.	AIRLINE PART NUMBER	NOMENCLATURE	EFF CODE	QTY PER ASSY
			1234567		
02-571R	HL111VAZ6-9		..BOLT- (V60516) (SPEC BACB30NW6K9X) (OPT HL11VAZ6-9X (V73197)) (OPT HL11VAZ6-9X (V92215)) (OPT L803-6K9X (V06725)) (OPT B30NW6K9X (V97928)) (OPT HL11VAZ6-9X (V97928)) (OPT HL11VAZ6-9X (V0PTK6)) (OPT HL11VAZ6-9X (V60516)) (OPT HL11VAZ6-9X (V56878)) (REWORK DWG 114T4181-1, 114T4181-2)	A,C,M P,A E-AM, BA-BH	2
571V	HL79-6		..COLLAR- (V5M902) (SPEC BACC30M6) (OPT HL79-6 (V73197)) (OPT HL79-6 (V92215)) (OPT 66014-6 (V56878)) (OPT HL79-6 (V56878)) (REWORK DWG 114T4181-1, 114T4181-2)	A,C,M P,A E-AM, BA-BH	2
-572	114T4401-6		DELETED		
-572A	114T4401-10		DELETED		
-572B	114T4401-14		DELETED		
573	BACB30LL3-7X		..BOLT- (REWORK DWG 114T4181-1, 114T4181-2)	A,C,M P,A E-AM, BA-BH	1

**57-43-41**

FIG. & ITEM	PART NO.	AIRLINE PART NUMBER	NOMENCLATURE 1234567	EFF CODE	QTY PER ASSY
02-573D	H10-3BAC		..NUT- (V15653) (SPEC BACN10JC3) (OPT NS202101-02 (V80539)) (OPT RMLH9075-3W (V72962)) (OPT T6S1032J (V71087)) (OPT VN303A02 (V92215)) (OPT 96-02 (V80539)) (OPT BRH10A3 (V52828)) (REWORK DWG 114T4181-1, 114T4181-2)	A,C,M ,P,A E-AM, BA-BH	1
573H	114T6415-5		..FILLER-RADIUS (REWORK DWG 114T4181-1, 114T4181-2)	A,C,M ,P,A E-AM, BA-BH	2
573M	114T6415-2		..FILLER-RADIUS (REWORK DWG 114T4181-1, 114T4181-2)	A,C,M ,P,A E-AM, BA-BH	1
573R	BACS40R08C34F		..SHIM- (REWORK DWG 114T4181-1, 114T4181-2)	A,C,M ,P,A E-AM, BA-BH	1
574 574A	BACB30NT3K22 HL10VAZ6-5		DELETED ..BOLT- (V60516) (SPEC BACB30MY6K5) (OPT B30MY6K5 (V97928)) (REWORK DWG 114T4181-1, 114T4181-2)	A,C,M ,P,A E-AM, BA-BH	4
574G	HL10VAZ6-5		..BOLT- (V60516) (SPEC BACB30MY6K5) (OPT B30MY6K5 (V97928))	D-F, Q-U,A N-AZ, BJ-BV	4

57-43-41

FIG. & ITEM	PART NO.	AIRLINE PART NUMBER	NOMENCLATURE 1234567	EFF CODE	QTY PER ASSY
02-576	BACB30NU3K5		..BOLT	A,C,M P,A E-AM, BA-BH	6
576G	BACB30NU3K3		..BOLT	D-F, Q-U,A N-AZ, BJ-BV	4
576H	BACB30NU3K4		..BOLT	D-F, Q-U,A N-AZ, BJ-BV	2
578	BACB30NU3K7		..BOLT	A,C-F M, P-U,A E-BV	4
580	AN960PD10		..WASHER	A,C-F M, P-U,A E-BV	10
580G 582	AN960PD10 H10-3BAC		DELETED ..NUT- (V15653) (SPEC BACN10JC3) (OPT NS202101-02 (V80539)) (OPT RMLH9075-3W (V72962)) (OPT T6S1032J (V71087)) (OPT VN303A02 (V92215)) (OPT 96-02 (V80539)) (OPT BRH10A3 (V52828))	A,C-F M, P-U,A E-BV	10

# 57-43-41

 ILLUSTRATED PARTS LIST  
 01.1 Page 1088V  
 Mar 01/04

FIG. & ITEM	PART NO.	AIRLINE PART NUMBER	NOMENCLATURE 1234567	EFF CODE	QTY PER ASSY
02-583	H10-3BAC		..NUT- (V15653) (SPEC BACN10JC3) (OPT NS202101-02 (V80539)) (OPT RMLH9075-3W (V72962)) (OPT T6S1032J (V71087)) (OPT VN303A02 (V92215)) (OPT 96-02 (V80539)) (OPT BRH10A3 (V52828)) (REWORK DWG 114T4181-1, 114T4181-2)	A,C,M ,P,A E-AM, BA-BH	4
583G	H10-3BAC		..NUT- (V15653) (SPEC BACN10JC3) (OPT NS202101-02 (V80539)) (OPT RMLH9075-3W (V72962)) (OPT T6S1032J (V71087)) (OPT VN303A02 (V92215)) (OPT 96-02 (V80539)) (OPT BRH10A3 (V52828))	D-F, Q-U,A N-AZ, BJ-BV	4
584	BACB30NW6K		..BOLT- (SIZE DETERMINE ON INST)	A,C-F ,M, P-U,A E-BV	10
586	BACB30MY6K		..BOLT- (SIZE DETERMINE ON INST)	A,C-F ,M, P-U,A E-BV	2

**57-43-41**



FIG. & ITEM	PART NO.	AIRLINE PART NUMBER	NOMENCLATURE 1234567	EFF CODE	QTY PER ASSY
02-588	HL79-6		..COLLAR- (V5M902) (SPEC BACC30M6) (OPT HL79-6 (V73197)) (OPT HL79-6 (V92215)) (OPT 66014-6 (V56878)) (OPT HL79-6 (V56878))	A,C-F ,M, P-U,A E-BV	12
589	HST10AG6-6		..BOLT- (VOPTK6) (SPEC BACB30VT6K6) (OPT HST10AG6-6 (V06725)) (OPT HST10AG6-6 (V56878)) (OPT HST10AG6-6 (V73197))	A,C-F ,M, P-U,A E-BV	2
589H	HST10AG6-5		..BOLT- (VOPTK6) (SPEC BACB30VT6K5) (OPT HST10AG6-5 (V06725)) (OPT HST10AG6-5 (V56878)) (OPT HST10AG6-5 (V73197))	A,C-F ,M, P-U,A E-BV	2
590	BACR15FT6AD		DELETED		
591	HST10AG6-4		..BOLT- (V06725) (SPEC BACB30VT6K4) (OPT HST10AG6-4 (V73197)) (OPT HST10AG6-4 (V56878)) (OPT HST10AG6-4 (VOPTK6))	A,C-F ,M, P-U,A E-BV	2

**57-43-41**

114T4101  
 015T0165  
 015T1507  
 DASH NUMBERS LIMITED

 **BOEING**  
 COMPONENT  
 MAINTENANCE MANUAL

FIG. & ITEM	PART NO.	AIRLINE PART NUMBER	NOMENCLATURE 1234567	EFF CODE	QTY PER ASSY
02-591H	HST79CY6		..COLLAR- (V73197) (SPEC BACC30BL6) (OPT HST79-6 (V56878)) (OPT HST79-6 (V92215)) (OPT HST79-6 (V5M902))	A,C-F ,M, P-U,A E-BV	6
592	BACS40R08C16F		..SHIM	A,C,M ,P,A E-AM, BA-BH	1
-592G	BACS40R08C21F		..SHIM	D-F, Q-U,A N-AZ, BJ-BV	1
592N	BACF3F005R005NN		..FILLER	D-F, Q-U,A N-AZ, BJ-BV	2
593 593A	BACF3F005R005NN 114T4187-1		DELETED ..FITTING ASSY-MAIN TRACK RIB PIVOT (REWORK DWG 114T4181-1)	A,C,A E-AM	1
-593G	114T4187-2		..FITTING ASSY-MAIN TRACK RIB PIVOT (REWORK DWG 114T4181-2)	M,P, BA-BH	1

**57-43-41**

ILLUSTRATED PARTS LIST  
 01.1 Page 1088Y  
 Mar 01/04

FIG. & ITEM	PART NO.	AIRLINE PART NUMBER	NOMENCLATURE 1234567	EFF CODE	QTY PER ASSY
02-594 594A	BACB28AM13B023A 012T2400-41		DELETED ...BUSHING	A,C,M ,P,A E-AM, BA-BH	1
594G 594H	BACB28AM10B043A BACB28AM10B020A		DELETED ...BUSHING	A,C,M ,P,A E-AM, BA-BH	1
594N	114T4187-3		...FITTING	A,C,A E-AM	1
-594V	114T4187-4		...FITTING	M,P, BA-BH	1
595	114T4401-5		..RIB ASSY-MAIN TRACK (REPLD BY ITEM 595B) (USED ON ITEMS 6A, 6B, 6C, 6D, 6G, 6H, 6J, 6K)	A,C,A E-AM	1
-595A	114T4401-9		..RIB ASSY-MAIN TRACK (REPLD BY ITEM 595B) (USED ON ITEM 6E, 6L)	A,C,A E-AM	1
-595B	114T4181-5		..RIB ASSY-MAIN TRACK (REWORK) (REPLS ITEMS 595, 595A) (REWORK DWG 114T4181-1)	A,C,A E-AM	1
595C	114T4401-13		..RIB ASSY-MAIN TRACK	D,F,Q ,T,A N-AZ	1

# 57-43-41

 ILLUSTRATED PARTS LIST  
 01.1 Page 1088Z  
 Mar 01/04

FIG. & ITEM	PART NO.	AIRLINE PART NUMBER	NOMENCLATURE 1234567	EFF CODE	QTY PER ASSY
02-596	BACB28AP09P022		DELETED		
596G	BACB28AP07P042		DELETED		
-596H	114T4401-6		..RIB ASSY-MAIN TRACK (REPLD BY ITEM 596K) (USED ON ITEMS 7, 7A, 7B, 7C, 7F, 7G, 7H, 7J)	M,P, BA-BH	1
-596J	114T4401-10		..RIB ASSY-MAIN TRACK (REPLD BY ITEM 596K) (USED ON ITEM 7D, 7K)	M,P, BA-BH	1
-596K	114T4181-6		..RIB ASSY-MAIN TRACK (REWORK) (REPLS ITEMS 596H, 596J) (REWORK DWG 114T4181-2)	M,P, BA-BH	1
-596L	114T4401-14		..RIB ASSY-MAIN TRACK	E,R,S ,U,B J-BV	1
597	BACB28AM10B043A		...BUSHING	D-F, Q-U,A N-AZ, BJ-BV	1
597G	BACB28AP07P042		...BUSHING	D-F, Q-U,A N-AZ, BJ-BV	1
598	BACR15BA3AD		...RIVET- (SIZE DETERMINE ON INST)	A,C,M ,P,A E-AM, BA-BH	24
598G	BACR15BA3AD		...RIVET- (SIZE DETERMINE ON INST)	D-F, Q-U,A N-AZ, BJ-BV	20
598L	BACR15BA3AD		...RIVET- (SIZE DETERMINE ON INST)	A,C-F ,M, P-U,A E-BV	4

57-43-41

FIG. & ITEM	PART NO.	AIRLINE PART NUMBER	NOMENCLATURE 1234567	EFF CODE	QTY PER ASSY
02-600	BRFM22A3-3		...NUTPLATE- (V52828) (SPEC BACN10JQ33) (OPT MF19058-3-3BAC (V15653))	A,C,M ,P,A E-AM, BA-BH	12
600G	BRFM22A3-3		...NUTPLATE- (V52828) (SPEC BACN10JQ33) (OPT MF19058-3-3BAC (V15653))	D-F, Q-U,A N-AZ, BJ-BV	10
602	NS103225-02		...NUTPLATE- (V80539) (SPEC BACN10KH3) (OPT RMF9209M3 (V72962)) (OPT RMF9209M3 (V72962))	A,C-F ,M, P-U,A E-BV	2
604	NAS1195DD3KH		...SHIM	A,C-F ,M, P-U,A E-BV	2
606	114T4401-7		...RIB- (USED ON ITEM 595)	A,C,A E-AM	1
606A	114T4401-11		...RIB- (USED ON ITEM 595A)	A,C,A E-AM	1
606B	114T4401-15		...RIB	D,F,Q ,T,A N-AZ	1
-608	114T4401-8		...RIB- (USED ON ITEM 596H)	M,P, BA-BH	1
-608A	114T4401-12		...RIB- (USED ON ITEM 596J)	M,P, BA-BH	1
-608B	114T4401-16		...RIB	E,R,S ,U,B J-BV	1

# 57-43-41

 ILLUSTRATED PARTS LIST  
 01.1 Page 1090  
 Mar 01/04

FIG. & ITEM	PART NO.	AIRLINE PART NUMBER	NOMENCLATURE 1234567	EFF CODE	QTY PER ASSY
02-609	BACS12ER3C18		..SCREW- (REWORK DWG 114T4181-1, 114T4181-2)	A,C,M ,P,A E-AM, BA-BH	2
609G	H10-3BAC		..NUT- (V15653) (SPEC BACN10JC3) (OPT NS202101-02 (V80539)) (OPT RMLH9075-3W (V72962)) (OPT T6S1032J (V71087)) (OPT VN303A02 (V92215)) (OPT 96-02 (V80539)) (OPT BRH10A3 (V52828))	A,C,M ,P,A E-AM, BA-BH	2
609N	114T6419-9		..FITTING-CLOSURE PNL SPRT	A,C,M ,P,A E-AM, BA-BH	1
609V	114T6419-10		..FITTING-CLOSURE PNL SPRT	A,C,M ,P,A E-AM, BA-BH	1
610	114T4510-21		..ARM AND RIB ASSY-AUX	A,C,A E-AM	1
-612	114T4510-22		..ARM AND RIB ASSY-AUX	M,P, BA-BH	1
614	114T4510-23		..ARM AND RIB ASSY-AUX	A,C,A E-AM	1
-616	114T4510-24		..ARM AND RIB ASSY-AUX	M,P, BA-BH	1
618	BACB30NU3K2		..BOLT	A,C,M ,P,A E-AM, BA-BH	4

57-43-41

FIG. & ITEM	PART NO.	AIRLINE PART NUMBER	NOMENCLATURE 1234567	EFF CODE	QTY PER ASSY
02-620	BACB30NU3K4		..BOLT	A,C,M ,P,A E-AM, BA-BH	2
622	BACB30NT3K6		..BOLT	A,C,M ,P,A E-AM, BA-BH	4
624	AN96OPD10		..WASHER	A,C,M ,P,A E-AM, BA-BH	14
626	H10-3BAC		..NUT- (V15653) (SPEC BACN10JC3) (OPT NS202101-02 (V80539)) (OPT RMLH9075-3W (V72962)) (OPT T6S1032J (V71087)) (OPT VN303A02 (V92215)) (OPT 96-02 (V80539)) (OPT BRH10A3 (V52828))	A,C,M ,P,A E-AM, BA-BH	10
628	BACB30NW5K		..BOLT- (SIZE DETERMINE ON INST)	A,C,M ,P,A E-AM, BA-BH	8
630	HL79-5		..COLLAR- (V5M902) (SPEC BACC30M5) (OPT HL70-5 (V73197)) (OPT HL70-5 (V92215)) (OPT 66014-5 (V56878)) (OPT HL70-5 (V56878))	A,C,M ,P,A E-AM, BA-BH	8

# 57-43-41

 ILLUSTRATED PARTS LIST  
 01.1 Page 1090B  
 Mar 01/04

FIG. & ITEM	PART NO.	AIRLINE PART NUMBER	NOMENCLATURE 1234567	EFF CODE	QTY PER ASSY
02-632	BACC30NW6K		..BOLT- (SIZE DETERMINE ON INST)	A,C,M ,P,A E-AM, BA-BH	8
634	BACB30MY6K		..BOLT- (SIZE DETERMINE ON INST)	A,C,M ,P,A E-AM, BA-BH	2
635	114T4101-22		..FILLER-RADIUS	A,C,M ,P,A E-AM, BA-BH	1
636	HL79-6		..COLLAR- (V5M902) (SPEC BACC30M6) (OPT HL79-6 (V73197)) (OPT HL79-6 (V92215)) (OPT 66014-6 (V56878)) (OPT HL79-6 (V56878))	A,C,M ,P,A E-AM, BA-BH	14
638	BACR15FT5AD		..RIVET- (SIZE DETERMINE ON INST)	A,C,M ,P,A E-AM, BA-BH	6
640	BACS40R08C09F		..SHIM	A,C,M ,P,A E-AM, BA-BH	2

**57-43-41**

ILLUSTRATED PARTS LIST  
 01.1 Page 1090C  
 Mar 01/04



FIG. & ITEM	PART NO.	AIRLINE PART NUMBER	NOMENCLATURE 1234567	EFF CODE	QTY PER ASSY
02- 642 644 646 648 648A	HL79-6 BACR15FT5AD BACS40R08C09F BACB30LE6-25 HL62PB16-23		DELETED DELETED DELETED DELETED ...BOLT- (V97928) (SPEC BACB30FP16-23) (OPT HL62PB16-23 (V92215)) (OPT HL62PB16-23 (V80539)) (OPT HL62PB16-23 (V73197)) (OPT HL62PB16-23 (V56878)) (OPT HL62PB16-23 (V06725)) (REWORK DWG 114T4181-1, 114T4181-2) (OPT ITEM 648B)	A,C,M ,P,A E-AM, BA-BH	1
-648B	HL62PB16-24		...BOLT- (V97928) (SPEC BACB30FP16-24) (OPT HL62PB16-24 (V92215)) (OPT HL62PB16-24 (V80539)) (OPT HL62PB16-24 (V73197)) (OPT HL62PB16-24 (V56878)) (OPT HL62PB16-24 (V06725)) (REWORK DWG 114T4181-1, 114T4181-2) (OPT ITEM 648A)	A,C,M ,P,A E-AM, BA-BH	1

# 57-43-41

 ILLUSTRATED PARTS LIST  
 01.1 Page 1090D  
 Mar 01/04

FIG. & ITEM	PART NO.	AIRLINE PART NUMBER	NOMENCLATURE 1234567	EFF CODE	QTY PER ASSY
02- 650 652 654 656 656A	BACW10BP6CD BACW10BP6DP BACW10P363LA BMNN10HR6 HL79-16		DELETED DELETED DELETED DELETED ...COLLAR- (V5M902) (SPEC BACC30M16) (OPT HL79-16 (V73197)) (OPT HL79-16 (V92215)) (OPT 66014-16 (V56878)) (OPT HL79-16 (V56878)) (REWORK DWG 114T4181-1, 114T4181-2)	A,C,M ,P,A E-AM, BA-BH	1
658 658A	BACB30LE4-25 HL62PB12-23		DELETED ...BOLT- (V97928) (SPEC BACB30FP12-23) (OPT HL62PB12-23 (V92215)) (OPT HL62PB12-23 (V80539)) (OPT HL62PB12-23 (V73197)) (OPT HL62PB12-23 (V56878)) (OPT HL62PB12-23 (V06725)) (REWORK DWG 114T4181-1, 114T4181-2) (OPT ITEM 658B)	A,C,M ,P,A E-AM, BA-BH	1

57-43-41

FIG. & ITEM	PART NO.	AIRLINE PART NUMBER	NOMENCLATURE 1234567	EFF CODE	QTY PER ASSY
02- -658B	HL62PB12-24		...BOLT- (V97928) (SPEC BACB30FP12-24) (OPT HL62PB12-24 (V92215)) (OPT HL62PB12-24 (V80539)) (OPT HL62PB12-24 (V73197)) (OPT HL62PB12-24 (V56878)) (OPT HL62PB12-24 (V06725)) (REWORK DWG 114T4181-1, 114T4181-2) (OPT ITEM 658A)	A,C,M ,P,A E-AM, BA-BH	1
660	BACW10BP4CD		DELETED		
662	BACW10BP4DP		DELETED		
664	BACW10P361LA		DELETED		
666	BMNN10HR4		DELETED		
666A	HL79-12		...COLLAR- (V5M902) (SPEC BACC30M12) (OPT HL79-12 (V73197)) (OPT HL79-12 (V92215)) (OPT 66014-12 (V56878)) (OPT HL79-12 (V56878)) (REWORK DWG 114T4181-1, 114T4181-2)	A,C,M ,P,A E-AM, BA-BH	1

**57-43-41**

114T4101  
 015T0165  
 015T1507  
 DASH NUMBERS LIMITED

 **BOEING**  
 COMPONENT  
 MAINTENANCE MANUAL

FIG. & ITEM	PART NO.	AIRLINE PART NUMBER	NOMENCLATURE 1234567	EFF CODE	QTY PER ASSY
02-					
668	BACB28U6C039		DELETED		
670	BACB28U6C058		DELETED		
672	114T4140-81		...ARM ASSY- (USED ON ITEM 610)	A,C,A E-AM	1
-674	114T4140-82		...ARM ASSY- (USED ON ITEM 612)	M,P, BA-BH	1
676	114T4140-89		...ARM ASSY- (USED ON ITEM 614)	A,C,A E-AM	1
-678	114T4140-90		...ARM ASSY- (USED ON ITEM 616)	M,P, BA-BH	1
680	114T4511-1		DELETED		
680A	012T2400-45		....BUSHING- (REWORK DWG 114T4181-1, 114T4181-2)	A,C,M ,P,A E-AM, BA-BH	1
682	BACB28U4C039		DELETED		
684	114T4140-85		....ARM- (USED ON ITEM 672)	A,C,A E-AM	1
-686	114T4140-86		....ARM- (USED ON ITEM 674)	M,P, BA-BH	1
688	114T4140-93		....ARM- (USED ON ITEM 676)	A,C,A E-AM	1
-690	114T4140-94		....ARM- (USED ON ITEM 678)	M,P, BA-BH	1
692	114T4140-83		...ARM ASSY- (USED ON ITEM 610)	A,C,A E-AM	1
-694	114T4140-84		...ARM ASSY- (USED ON ITEM 612)	M,P, BA-BH	1
696	114T4140-91		...ARM ASSY- (USED ON ITEM 614)	A,C,A E-AM	1

**57-43-41**

ILLUSTRATED PARTS LIST  
 01.1 Page 1090G  
 Mar 01/04

FIG. & ITEM	PART NO.	AIRLINE PART NUMBER	NOMENCLATURE 1234567	EFF CODE	QTY PER ASSY
02- -698	114T4140-92		...ARM ASSY- (USED ON ITEM 616)	M,P, BA-BH	1
700 700A	114T4511-1 012T2400-45		DELETED ....BUSHING- (REWORK DWG 114T4181-1, 114T4181-2)	A,C,M P,A E-AM, BA-BH	1
702 704	BACB28U4C039 114T4140-87		DELETED ....ARM- (USED ON ITEM 692)	A,C,A E-AM	1
-706	114T4140-88		....ARM- (USED ON ITEM 694)	M,P, BA-BH	1
708	114T4140-95		....ARM- (USED ON ITEM 696)	A,C,A E-AM	1
-710	114T4140-96		....ARM- (USED ON ITEM 698)	M,P, BA-BH	1
712	114T4500-5		...RIB ASSY- (USED ON ITEM 610)	A,C,A E-AM	1
-714	114T4500-6		...RIB ASSY- (USED ON ITEM 612)	M,P, BA-BH	1
716	114T4501-5		...RIB ASSY- (USED ON ITEM 614)	A,C,A E-AM	1
-718	114T4501-6		...RIB ASSY- (USED ON ITEM 616)	M,P, BA-BH	1
720 722	BACB28U4C058 114T4500-7		DELETED ....RIB- (USED ON ITEM 712)	A,C,A E-AM	1
-724	114T4500-8		....RIB- (USED ON ITEM 714)	M,P, BA-BH	1

# 57-43-41

 ILLUSTRATED PARTS LIST  
 01.1 Page 1090H  
 Mar 01/04

114T4101  
 015T0165  
 015T1507  
 DASH NUMBERS LIMITED

 **BOEING**  
 COMPONENT  
 MAINTENANCE MANUAL

FIG. & ITEM	PART NO.	AIRLINE PART NUMBER	NOMENCLATURE 1234567	EFF CODE	QTY PER ASSY
02-726	114T4501-7		....RIB- (USED ON ITEM 716)	A,C,A E-AM	1
-728	114T4501-8		....RIB- (USED ON ITEM 718)	M,P, BA-BH	1
730 730A	HL11VAZ5-4 HL445PB5-3		DELETED ...BOLT- (V60516) (SPEC BACB30ND5A3) (OPT HL445PB5-3 (V97928)) (OPT HL445PB5-3 (V56878)) (OPT HL445PB5-3 (V73197)) (OPT HL445PB5-3 (V92215)) (OPT 69310-5A3 (V56878)) (OPT HL445PB5-3 (V80539)) (REWORK DWG 114T4181-1, 114T4181-2) (OPT ITEM 730B)	A,C,M ,P,A E-AM, BA-BH	4

**57-43-41**

ILLUSTRATED PARTS LIST  
 01.1 Page 1090I  
 Mar 01/04

FIG. & ITEM	PART NO.	AIRLINE PART NUMBER	NOMENCLATURE 1234567	EFF CODE	QTY PER ASSY
02- -730B	HL441UC5-3		...BOLT- (V97928) (SPEC BACB30FN5A3) (OPT HL441UC5-3 (V73197)) (OPT HL441UC5-3 (V92215)) (OPT HL41PY5-3 (V80539)) (OPT HL441N5-3 (V80539)) (OPT HL441UC5-3 (V80539)) (OPT 67068-5A3 (V56878)) (OPT HL441UC5-3 (V08524)) (OPT HL19-5A3 (V06725)) (OPT L839-5A3 (V06725)) (OPT HL441UC5-3 (V56878)) (REWORK DWG 114T4181-1, 114T4181-2) (OPT ITEM 730A)	A,C,M ,P,A E-AM, BA-BH	4
732	AN960PD8L		...WASHER	A,C,M ,P,A E-AM, BA-BH	4
734	BACN10JC08CD		...NUT	A,C,M ,P,A E-AM, BA-BH	4
-734A 735	BRH10C08 114T4149-1		DELETED ...PLATE-RUB (REWORK DWG 114T4181-1, 114T4181-2)	A,C,M ,P,A E-AM, BA-BH	1
735G	114T4149-2		...PLATE-RUB (REWORK DWG 114T4181-1, 114T4181-2)	A,C,M ,P,A E-AM, BA-BH	1
736	114T4522-1		DELETED		

# 57-43-41

114T4101  
 015T0165  
 015T1507  
 DASH NUMBERS LIMITED

 **BOEING**  
 COMPONENT  
 MAINTENANCE MANUAL

FIG. & ITEM	PART NO.	AIRLINE PART NUMBER	NOMENCLATURE 1234567	EFF CODE	QTY PER ASSY
02- 736A	114T4149-1		DELETED		
736G	114T4701-1		..RIB ASSY-AIRLOAD (USED ON ITEMS 6A, 6B, 6C, 6D, 6G, 6H, 6J, 6K)	A,C,A E-AM	1
736H	114T4701-5		..RIB ASSY-AIRLOAD (USED ON ITEMS 6E, 6F, 6L, 6M)	A,C,D ,F,Q, T,A E-AZ	1
-736J	114T4701-2		..RIB ASSY-AIRLOAD (USED ON ITEMS 7, 7A, 7B, 7C, 7F, 7G, 7H, 7J)	M,P, BA-BH	1
-736K	114T4701-6		..RIB ASSY-AIRLOAD (USED ON ITEMS 7D, 7E, 7K, 7L)	E,M,P ,R,S, U,B A-BV	1
736L	BACR15BA3AD		DELETED		
736M	BRFM20A3		DELETED		
736N	NS103225-02		DELETED		
736P	114T4701-7		DELETED		
-736Q	114T4701-8		DELETED		
737	BACR15BA3AD		...RIVET- (SIZE DETERMINE ON INST) (USED ON ITEMS 736H, 736K)	A,C-F ,M, P-U,A E-BV	12
737J	MF53049-3		...NUTPLATE- (V15653) (SPEC BACN10JN3) (OPT BRFM20A3 (V52828)) (OPT MF1000-3BAC (V15653)) (OPT NS103218-02 (V80539)) (OPT RMF9201M3 (V72962)) (OPT VN252A02 (V92215)) (OPT T8124S3S (V11815)) (USED ON ITEMS 736H, 736K)	A,C-F ,M, P-U,A E-BV	4

57-43-41

ILLUSTRATED PARTS LIST  
 01.1 Page 1090K  
 Mar 01/04



FIG. & ITEM	PART NO.	AIRLINE PART NUMBER	NOMENCLATURE 1234567	EFF CODE	QTY PER ASSY
02-737S	F29779-3		...NUTPLATE- (V15653) (SPEC BACN10KH3) (OPT NS103225-02 (V80539)) (OPT RMF9209M3 (V72962)) (USED ON ITEMS 736H, 736K)	A,C-F ,M, P-U,A E-BV	2
738	114T4902-1		DELETED		
-738A	114T4902-5		DELETED		
739	114T4701-3		...RIB- (USED ON ITEM 736G)	A,C,A E-AM	1
739J	114T4701-7		...RIB- (USED ON ITEM 736H)	A,C,D ,F,Q, T,A E-AZ	1
-740	114T4902-2		DELETED		
-740A	114T4902-6		DELETED		
-741	114T4701-4		...RIB- (USED ON ITEM 736J)	M,P, BA-BH	1
-741J	114T4701-8		...RIB- (USED ON ITEM 736K)	E,M,P ,R,S, U,B A-BV	1
742	BACR15BA3AD		DELETED		
743	BACR15BA3AD		DELETED		
744	BRFM22A3-3		DELETED		
745	114T4902-1		..RIB ASSY-END (USED ON ITEMS 6A, 6B, 6C, 6D, 6G, 6H, 6J, 6K)	A,C,A E-AM	1

# 57-43-41

 ILLUSTRATED PARTS LIST  
 01.1 Page 1090L  
 Mar 01/04

114T4101  
 015T0165  
 015T1507  
 DASH NUMBERS LIMITED

 **BOEING**  
 COMPONENT  
 MAINTENANCE MANUAL

FIG. & ITEM	PART NO.	AIRLINE PART NUMBER	NOMENCLATURE 1234567	EFF CODE	QTY PER ASSY
02- -745A	114T4902-5		..RIB ASSY-END (USED ON ITEMS 6E, 6F, 6L, 6M)	A,C,D ,F,Q, T,A E-AZ	1
-745J	114T4902-2		..RIB ASSY-END (USED ON ITEMS 7, 7A, 7B, 7C, 7F, 7G, 7H, 7J)	M,P, BA-BH	1
-745K	114T4902-6		..RIB ASSY-END (USED ON ITEMS 7D, 7E, 7K, 7L)	E,M,P ,R,S, U,B A-BV	1
746 747	BRFM22A4-3 BACR15BA3AD		DELETED ...RIVET- (SIZE DETERMINE ON INST)	A,C-F ,M, P-U,A E-BV	6
747J	BACR15BA3AD		...RIVET- (SIZE DETERMINE ON INST) (USED ON ITEMS 745A, 745K)	A,C-F ,M, P-U,A E-BV	2
748 749	NS103225-02 BACN10JQ33		DELETED ...NUTPLATE	A,C-F ,M, P-U,A E-BV	1
749J	BACN10JQ34		...NUTPLATE	A,C-F ,M, P-U,A E-BV	1

57-43-41

ILLUSTRATED PARTS LIST  
 01.1 Page 1090M  
 Mar 01/04

FIG. & ITEM	PART NO.	AIRLINE PART NUMBER	NOMENCLATURE 1234567	EFF CODE	QTY PER ASSY
02-750 751	NAS1195DD3KH F29779-3		DELETED ...NUTPLATE- (V15653) (SPEC BACN10KH3) (OPT NS103225-02 (V80539)) (OPT RMF9209M3 (V72962))	A,C-F ,M, P-U,A E-BV	1
751J	NAS1195DD3KH		...SHIM	A,C,M ,P,A E-AM, BA-BH	1
752	NAS1195DD3KM		...SHIM- (USED ON ITEMS 745, 745J)	A,C-F ,M, P-U,A E-BV	1
752G	BRFM20A3		...NUTPLATE- (V52828) (SPEC BACN10JN3) (OPT MF1000-3BAC (V15653)) (OPT NS103218-02 (V80539)) (OPT RMF9201M3 (V72962)) (OPT VN252A02 (V92215)) (OPT MF1000-3BAC (V15653)) (OPT MF53049-3 (V15653)) (USED ON ITEMS 745A, 745K)	A,C-F ,M, P-U,A E-BV	1

**57-43-41**

ILLUSTRATED PARTS LIST  
01.1 Page 1090N  
Mar 01/04

114T4101  
 015T0165  
 015T1507  
 DASH NUMBERS LIMITED

 **BOEING**  
 COMPONENT  
 MAINTENANCE MANUAL

FIG. & ITEM	PART NO.	AIRLINE PART NUMBER	NOMENCLATURE 1234567	EFF CODE	QTY PER ASSY
02-753	T8124S3S		DELETED		
753A	114T4902-3		...RIB- (USED ON ITEM 745)	A,C,A E-AM	1
-753B	114T4902-7		...RIB- (USED ON ITEM 745A)	A,C,D ,F,Q, T,A E-AZ	1
-753G	114T4902-4		...RIB- (USED ON ITEM 745J)	M,P, BA-BH	1
-753H	114T4902-8		...RIB- (USED ON ITEM 745K)	E,M,P ,R,S, U,B A-BV	1
754	BACR15BA3AD		..RIVET- (SIZE DETERMINE ON INST)	A,C-F ,M, P-U,A E-BV	4
756	BACN10JQ32		..NUTPLATE	A,C-F ,M, P-U,A E-BV	2
-758	114T4121-21		..BEAM ASSY-NOSE (USED ON ITEMS 6A, 6B, 6G, 6H)	A,C,A E-AM	1
-758A	114T4121-23		..BEAM ASSY-NOSE (USED ON ITEMS 6C, 6D, 6J, 6K)	A,C,A E-AM	1
-758B	114T4121-73		..BEAM ASSY-NOSE (USED ON ITEMS 6E, 6L)	A,C,A E-AM	1
-758C	114T4121-83		..BEAM ASSY-NOSE	D,F,Q ,T,A N-AZ	1

**57-43-41**

ILLUSTRATED PARTS LIST  
 01.1 Page 10900  
 Mar 01/04

FIG. & ITEM	PART NO.	AIRLINE PART NUMBER	NOMENCLATURE 1234567	EFF CODE	QTY PER ASSY
02- -760	114T4121-22		..BEAM ASSY-NOSE (USED ON ITEMS 7, 7A, 7F, 7G)	M,P, BA-BH	1
-760A	114T4121-24		..BEAM ASSY-NOSE (USED ON ITEMS 7B, 7C, 7H, 7J)	M,P, BA-BH	1
-760B	114T4121-74		..BEAM ASSY-NOSE (USED ON ITEMS 7D, 7K)	M,P, BA-BH	1
-760C	114T4121-84		..BEAM ASSY-NOSE	E,R,S ,U,B J-BV	1
762	BACB30NT3K6		...BOLT	A,C-F ,M, P-U,A E-BV	42
764	AN960PD10L		...WASHER	A,C-F ,M, P-U,A E-BV	42
766	114T4119-1		...DOOR	A,C-F ,M, P-U,A E-BV	3
768	114T4119-2		...DOUBLER	A,C-F ,M, P-U,A E-BV	2
768G	114T4119-2		...DOUBLER- (USED ON ITEMS 758, 758A, 760, 760A)	A,C,M ,P,A E-AM, BA-BH	1
768H	114T4119-6		...DOUBLER- (USED ON ITEMS 758B, 758C, 760B, 760C)	A,C-F ,M, P-U,A E-BV	1

# 57-43-41

 ILLUSTRATED PARTS LIST  
 01.1 Page 1090P  
 Mar 01/04

FIG. & ITEM	PART NO.	AIRLINE PART NUMBER	NOMENCLATURE 1234567	EFF CODE	QTY PER ASSY
02-770	BACR15BA3AD		...RIVET- (SIZE DETERMINE ON INST)	A,C-F ,M, P-U,A E-BV	84
772	BRFM20A3		...NUTPLATE- (V52828) (SPEC BACN10JN3) (OPT MF1000-3BAC (V15653)) (OPT NS103218-02 (V80539)) (OPT RMF9201M3 (V72962)) (OPT VN252A02 (V92215)) (OPT MF1000-3BAC (V15653)) (OPT MF53049-3 (V15653))	A,C-F ,M, P-U,A E-BV	12
774	BACN10JQ32		...NUTPLATE	A,C-F ,M, P-U,A E-BV	30
-776	114T4200-17		..SEAL INSTL- (USED ON ITEMS 6A, 6B, 6C, 6D, 6G, 6H, 6J, 6K)	A,C,A E-AM	1
-776A	114T4200-29		..SEAL INSTL- (USED ON ITEMS 6E, 6F, 6L, 6M)	A,C,D ,F,Q, T,A E-AZ	1
-778	114T4200-18		..SEAL INSTL- (USED ON ITEMS 7, 7A, 7B, 7C, 7F, 7G, 7H, 7J)	M,P, BA-BH	1
-778A	114T4200-30		..SEAL INSTL- (USED ON ITEMS 7D, 7E, 7K, 7L)	E,M,P ,R,S, U,B A-BV	1
780	BACB30NN3K4		...BOLT	A,C-F ,M, P-U,A E-BV	4

57-43-41

FIG. & ITEM	PART NO.	AIRLINE PART NUMBER	NOMENCLATURE 1234567	EFF CODE	QTY PER ASSY
02-781	BACB30NT3K4		...BOLT- (USED ON ITEMS 776, 778)	A,C,M ,P,A E-AM, BA-BH	2
781G	BACB30NT3K5		...BOLT- (USED ON ITEMS 776A, 778A)	A,C-F ,M, P-U,A E-BV	1
782	BACW10P43AL		...WASHER	A,C-F ,M, P-U,A E-BV	5
784	AN960PD10L		...WASHER- (USED ON ITEMS 776, 778)	A,C,M ,P,A E-AM, BA-BH	6
786	H10-3BAC		...NUT- (V15653) (SPEC BACN10JC3) (OPT NS202101-02 (V80539)) (OPT RMLH9075-3W (V72962)) (OPT T6S1032J (V71087)) (OPT VN303A02 (V92215)) (OPT 96-02 (V80539)) (OPT BRH10A3 (V52828))	A,C-F ,M, P-U,A E-BV	4
787	BACB30UR3K5		...BOLT- (USED ON ITEMS 776A, 778A)	A,C-F ,M, P-U,A E-BV	1
787G	BACW10DM6		...WASHER- (USED ON ITEMS 776A, 778A)	A,C-F ,M, P-U,A E-BV	1

# 57-43-41

 ILLUSTRATED PARTS LIST  
 01.1 Page 1090R  
 Mar 01/04

FIG. & ITEM	PART NO.	AIRLINE PART NUMBER	NOMENCLATURE 1234567	EFF CODE	QTY PER ASSY
02-788	114T4240-61		...SEAL- (USED ON ITEM 776)	A,C,A E-AM, BA-BH	1
789	114T4240-65		...SEAL- (USED ON ITEM 776A)	A,C,D ,F,Q, T,A E-AZ	1
-790	114T4240-62		...SEAL- (USED ON ITEM 778)	M,P, BA-BH	1
-791	114T4240-66		...SEAL- (USED ON ITEM 778A)	E,M,P ,R,S, T,B A-BV	1
792	114T4240-63		...SEAL- (USED ON ITEM 776)	A,C,A E-AM	1
793	114T4240-67		...SEAL- (USED ON ITEM 776A)	A,C,D ,F,Q, T,A E-AZ	1
-794	114T4240-64		...SEAL- (USED ON ITEM 778)	M,P, BA-BH	1
-795	114T4240-68		...SEAL- (USED ON ITEM 778A)	E,M,P ,R,S, U,B A-BV	1
796	BACR15BA3AD		..RIVET- (SIZE DETERMINE ON INST)	A,C-F ,M, P-U,A E-BV	4
798	MS27253-1		..PLATE	A,C-F ,M, P-U,A E-BV	1

57-43-41



FIG. & ITEM	PART NO.	AIRLINE PART NUMBER	NOMENCLATURE 1234567	EFF CODE	QTY PER ASSY
02-800	114T4512-9		..ARM AND RIB ASSY-AUX	D,F,Q T,A N-AZ	1
-802	114T4512-10		..ARM AND RIB ASSY-AUX	E,R,S U,B J-BV	1
804	BACC30NW5K		..BOLT- (SIZE DETERMINE ON INST)	D-F, Q-U,A N-AZ, BJ-BV	3
806	HL79-5		..COLLAR- (V5M902) (SPEC BACC30M5) (OPT HL70-5 (V73197)) (OPT HL70-5 (V92215)) (OPT 66014-5 (V56878)) (OPT HL70-5 (V56878))	D-F, Q-U,A N-AZ, BJ-BV	3
808	BACB30NT3K6		..BOLT	D-F, Q-U,A N-AZ, BJ-BV	2
810	AN960PD10		..WASHER	D-F, Q-U,A N-AZ, BJ-BV	2
812	BACW10P43AL		..WASHER	D-F, Q-U,A N-AZ, BJ-BV	2

# 57-43-41

 ILLUSTRATED PARTS LIST  
 01.1 Page 1090T  
 Mar 01/04

FIG. & ITEM	PART NO.	AIRLINE PART NUMBER	NOMENCLATURE 1234567	EFF CODE	QTY PER ASSY
02-814	H10-3BAC		..NUT- (V15653) (SPEC BACN10JC3) (OPT NS202101-02 (V80539)) (OPT RMLH9075-3W (V72962)) (OPT T6S1032J (V71087)) (OPT VN303A02 (V92215)) (OPT 96-02 (V80539)) (OPT BRH10A3 (V52828))	D-F, Q-U,A N-AZ, BJ-BV	2
816	BACC30NW6K		..BOLT- (SIZE DETERMINE ON INST)	D-F, Q-U,A N-AZ, BJ-BV	4
818	BACC30NW5K		..BOLT- (SIZE DETERMINE ON INST)	D-F, Q-U,A N-AZ, BJ-BV	4
820	HL79-6		..COLLAR- (V5M902) (SPEC BACC30M6) (OPT HL79-6 (V73197)) (OPT HL79-6 (V92215)) (OPT 66014-6 (V56878)) (OPT HL79-6 (V56878))	D-F, Q-U,A N-AZ, BJ-BV	4

**57-43-41**

FIG. & ITEM	PART NO.	AIRLINE PART NUMBER	NOMENCLATURE 1234567	EFF CODE	QTY PER ASSY
02-822	HL79-5		..COLLAR- (V5M902) (SPEC BACC30M5) (OPT HL70-5 (V73197)) (OPT HL70-5 (V92215)) (OPT 66014-5 (V56878)) (OPT HL70-5 (V56878))	D-F, Q-U,A N-AZ, BJ-BV	4
824	BACC30MY5K		DELETED		
824A	BACB30MY5K		..BOLT- (SIZE DETERMINE ON INST)	D-F, Q-U,A N-AZ, BJ-BV	1
826	HL79-5		..COLLAR- (V5M902) (SPEC BACC30M5) (OPT HL70-5 (V73197)) (OPT HL70-5 (V92215)) (OPT 66014-5 (V56878)) (OPT HL70-5 (V56878))	D-F, Q-U,A N-AZ, BJ-BV	1
828	BACR15FT5AD		..RIVET- (SIZE DETERMINE ON INST)	D-F, Q-U,A N-AZ, BJ-BV	3
830	BACF3F005R005NN		..FILLER	D-F, Q-U,A N-AZ, BJ-BV	1
832	BACS40R08C09F		..SHIM	D-F, Q-U,A N-AZ, BJ-BV	1
			-----*		

# 57-43-41

 ILLUSTRATED PARTS LIST  
 01.1 Page 1090V  
 Mar 01/04

FIG. & ITEM	PART NO.	AIRLINE PART NUMBER	NOMENCLATURE 1234567	EFF CODE	QTY PER ASSY
02-834	HL441N5-3		...BOLT- (V60516) (SPEC BACB30FN5A3N) (OPT HL441N5-3 (V73197)) (OPT HL441N5-3 (V92215)) (OPT HL441N5-3 (V97928)) (OPT HL441N5-3 (V08524)) (OPT HL19-5A3N (V06725)) (OPT L839-5A3N (V06725)) (OPT HL441N5-3 (V56878)) (OPT ITEM 834A)	D-F, Q-U,A N-AZ, BJ-BV	4
-834A	HL441UC5-3		...BOLT- (V97928) (SPEC BACB30FN5A3) (OPT HL441UC5-3 (V73197)) (OPT HL441UC5-3 (V92215)) (OPT HL41PY5-3 (V80539)) (OPT HL441N5-3 (V80539)) (OPT HL441UC5-3 (V80539)) (OPT 67068-5A3 (V56878)) (OPT HL441UC5-3 (V08524)) (OPT HL19-5A3 (V06725)) (OPT L839-5A3 (V06725)) (OPT HL441UC5-3 (V56878)) (OPT ITEM 834)	D-F, Q-U,A N-AZ, BJ-BV	4

**57-43-41**

FIG. & ITEM	PART NO.	AIRLINE PART NUMBER	NOMENCLATURE 1234567	EFF CODE	QTY PER ASSY
02-836	AN960PD8L		...WASHER	D-F, Q-U,A N-AZ, BJ-BV	4
838	BACN10JC08CD		...NUT- (OPT ITEM 838A)	D-F, Q-U,A N-AZ, BJ-BV	4
-838A	H10-08BAC		...NUT- (V15653) (SPEC BACN10JC08) (OPT NS202101-82 (V80539)) (OPT RMLH9075-82W (V72962)) (OPT T6S832J (V71087)) (OPT VN303A82 (V92215)) (OPT 96-82 (V80539)) (OPT BRH10A08 (V52828)) (OPT ITEM 838)	D-F, Q-U,A N-AZ, BJ-BV	4
840	114T4149-2		...PLATE-RUB	D-F, Q-U,A N-AZ, BJ-BV	1
842	114T4149-1		...PLATE-RUB	D-F, Q-U,A N-AZ, BJ-BV	1

# 57-43-41

 ILLUSTRATED PARTS LIST  
 01.1 Page 1090X  
 Mar 01/04

FIG. & ITEM	PART NO.	AIRLINE PART NUMBER	NOMENCLATURE 1234567	EFF CODE	QTY PER ASSY
02-844	012T2400-45		...BUSHING	D-F, Q-U,A N-AZ, BJ-BV	2
846	114T4512-11		...RIB	D,F,Q ,T,A N-AZ	1
-848	114T4512-12		...RIB	E,R,S ,U,B J-BV	1
850	114T4513-9		..ARM AND RIB ASSY-AUX	D,F,Q ,T,A N-AZ	1
-852	114T4513-10		..ARM AND RIB ASSY-AUX	E,R,S ,T,B J-BV	1
854	BACC30NW5K		ATTACHING PARTS ..BOLT- (SIZE DETERMINE ON INST)	D-F, Q-U,A N-AZ, BJ-BV	3
856	HL79-5		..COLLAR- (V5M902) (SPEC BACC30M5) (OPT HL70-5 (V73197)) (OPT HL70-5 (V92215)) (OPT 66014-5 (V56878)) (OPT HL70-5 (V56878))	D-F, Q-U,A N-AZ, BJ-BV	3

**57-43-41**

FIG. & ITEM	PART NO.	AIRLINE PART NUMBER	NOMENCLATURE 1234567	EFF CODE	QTY PER ASSY
02-858	BACB30NT3K6		..BOLT	D-F, Q-U,A N-AZ, BJ-BV	2
860	AN960PD10		..WASHER	D-F, Q-U,A N-AZ, BJ-BV	2
862	BACW10P43AL		..WASHER	D-F, Q-U,A N-AZ, BJ-BV	2
864	H10-3BAC		..NUT- (V15653) (SPEC BACN10JC3) (OPT NS202101-02 (V80539)) (OPT RMLH9075-3W (V72962)) (OPT T6S1032J (V71087)) (OPT VN303A02 (V92215)) (OPT 96-02 (V80539)) (OPT BRH10A3 (V52828))	D-F, Q-U,A N-AZ, BJ-BV	2
868	BACC30NW6K		..BOLT- (SIZE DETERMINE ON INST)	D-F, Q-U,A N-AZ, BJ-BV	4

# 57-43-41

 ILLUSTRATED PARTS LIST  
 01.1 Page 1090Z  
 Mar 01/04

FIG. & ITEM	PART NO.	AIRLINE PART NUMBER	NOMENCLATURE 1234567	EFF CODE	QTY PER ASSY
02-869	BACC30NW5K		..BOLT- (SIZE DETERMINE ON INST)	D-F, Q-U,A N-AZ, BJ-BV	4
870	HL79-6		..COLLAR- (V5M902) (SPEC BACC30M6) (OPT HL79-6 (V73197)) (OPT HL79-6 (V92215)) (OPT 66014-6 (V56878)) (OPT HL79-6 (V56878))	D-F, Q-U,A N-AZ, BJ-BV	4
872	HL79-5		..COLLAR- (V5M902) (SPEC BACC30M5) (OPT HL70-5 (V73197)) (OPT HL70-5 (V92215)) (OPT 66014-5 (V56878)) (OPT HL70-5 (V56878))	D-F, Q-U,A N-AZ, BJ-BV	4
874	BACC30MY5K		DELETED		
874A	BACB30MY5K		..BOLT- (SIZE DETERMINE ON INST)	D-F, Q-U,A N-AZ, BJ-BV	1
876	HL79-5		..COLLAR- (V5M902) (SPEC BACC30M5) (OPT HL70-5 (V73197)) (OPT HL70-5 (V92215)) (OPT 66014-5 (V56878)) (OPT HL70-5 (V56878))	D-F, Q-U,A N-AZ, BJ-BV	1

**57-43-41**

ILLUSTRATED PARTS LIST  
 01.1 Page 1091  
 Mar 01/04



FIG. & ITEM	PART NO.	AIRLINE PART NUMBER	NOMENCLATURE 1234567	EFF CODE	QTY PER ASSY
02-878	BACR15FT5AD		..RIVET- (SIZE DETERMINE ON INST)	D-F, Q-U,A N-AZ, BJ-BV	3
880	BACF3F005R005NN		..FILLER	D-F, Q-U,A N-AZ, BJ-BV	1
882	BACS4OR08C09F		..SHIM	D-F, Q-U,A N-AZ, BJ-BV	1
884	HL441N5-3		-----*----- ...BOLT- (V60516) (SPEC BACB30FN5A3N) (OPT HL441N5-3 (V73197)) (OPT HL441N5-3 (V92215)) (OPT HL441N5-3 (V97928)) (OPT HL441N5-3 (V08524)) (OPT HL19-5A3N (V06725)) (OPT L839-5A3N (V06725)) (OPT HL441N5-3 (V56878)) (OPT ITEM 834A)	D-F, Q-U,A N-AZ, BJ-BV	4

# 57-43-41

 ILLUSTRATED PARTS LIST  
 01.1 Page 1092  
 Mar 01/04

FIG. & ITEM	PART NO.	AIRLINE PART NUMBER	NOMENCLATURE 1234567	EFF CODE	QTY PER ASSY
02- -884A	HL441UC5-3		...BOLT- (V97928) (SPEC BACB30FN5A3) (OPT HL441UC5-3 (V73197)) (OPT HL441UC5-3 (V92215)) (OPT HL41PY5-3 (V80539)) (OPT HL441N5-3 (V80539)) (OPT HL441UC5-3 (V80539)) (OPT 67068-5A3 (V56878)) (OPT HL441UC5-3 (V08524)) (OPT HL19-5A3 (V06725)) (OPT L839-5A3 (V06725)) (OPT HL441UC5-3 (V56878)) (OPT ITEM 834)	D-F, Q-U,A N-AZ, BJ-BV	4
886	AN960PD8L		...WASHER	D-F, Q-U,A N-AZ, BJ-BV	4
888	BACN10JC08CD		...NUT- (OPT ITEM 838A)	D-F, Q-U,A N-AZ, BJ-BV	4

**57-43-41**

FIG. & ITEM	PART NO.	AIRLINE PART NUMBER	NOMENCLATURE 1234567	EFF CODE	QTY PER ASSY
02- -888A	H10-08BAC		...NUT- (V15653) (SPEC BACN10JC08) (OPT NS202101-82 (V80539)) (OPT RMLH9075-82W (V72962)) (OPT T6S832J (V71087)) (OPT VN303A82 (V92215)) (OPT 96-82 (V80539)) (OPT BRH10A08 (V52828)) (OPT ITEM 838)	D-F, Q-U,A N-AZ, BJ-BV	4
890	114T4149-2		...PLATE-RUB	D-F, Q-U,A N-AZ, BJ-BV	1
892	114T4149-1		...PLATE-RUB	D-F, Q-U,A N-AZ, BJ-BV	1
894	012T2400-45		...BUSHING	D-F, Q-U,A N-AZ, BJ-BV	2
896	114T4513-11		...RIB	D,F,Q ,T,A N-AZ	1
-898	114T4513-12		...RIB	E,R,S ,U,B J-BV	1
900	BACR15BB4A		..RIVET- (SIZE DETERMINE ON INST)	A,C-F ,M, P-U,A E-BV	2

# 57-43-41

 ILLUSTRATED PARTS LIST  
 01.1 Page 1092B  
 Mar 01/04

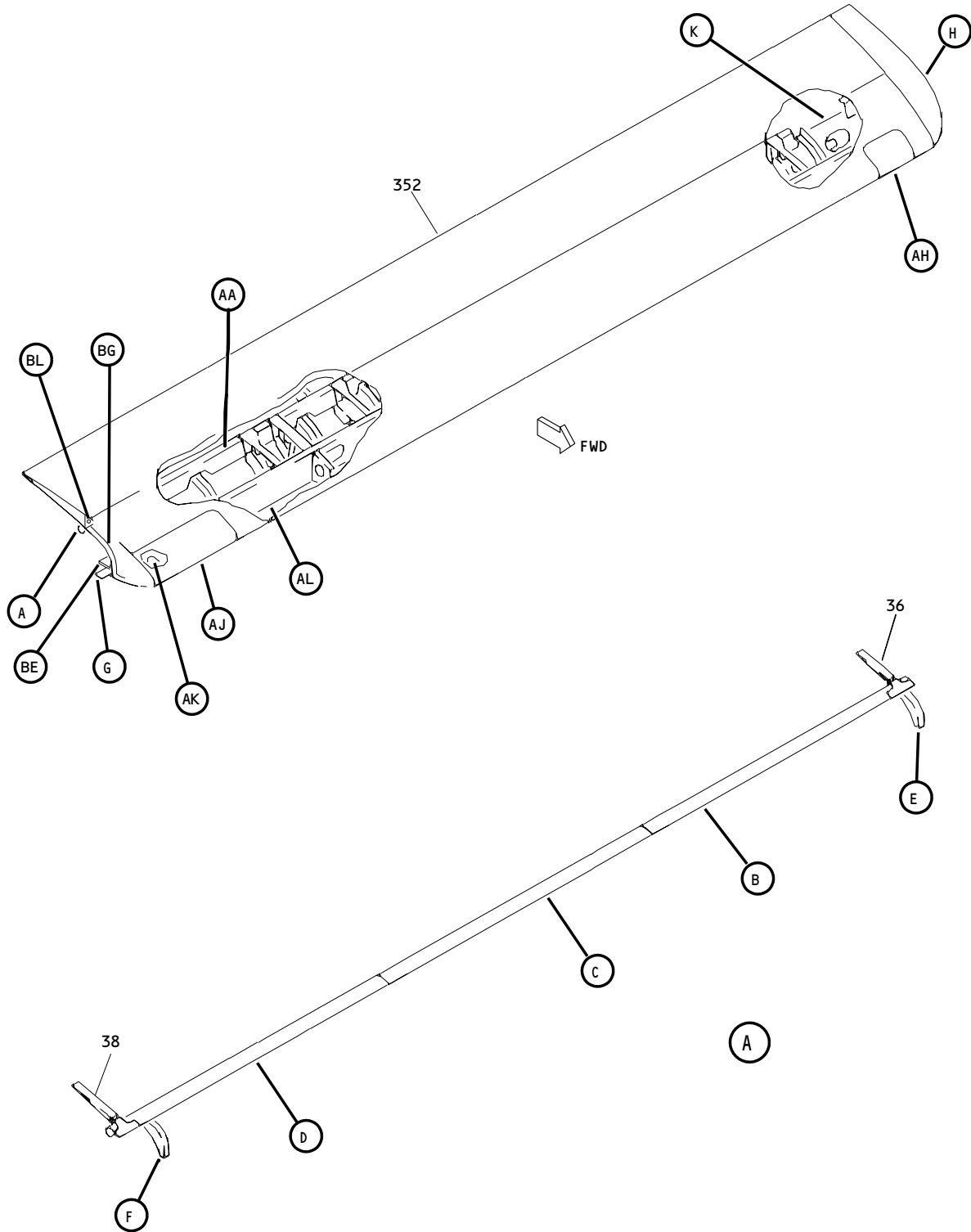
FIG. & ITEM	PART NO.	AIRLINE PART NUMBER	NOMENCLATURE 1234567	EFF CODE	QTY PER ASSY
02-902	BACR15CE6KE		..RIVET- (SIZE DETERMINE ON INST)	A,C-F ,M, P-U,A E-BV	107
904	BACR15CE5KE		..RIVET- (SIZE DETERMINE ON INST)	A,C-F ,M, P-U,A E-BV	14
906	BACB30NW6K		..BOLT- (SIZE DETERMINE ON INST)	A,C-F ,M, P-U,A E-BV	10
908	HL79-6		..COLLAR- (V5M902) (SPEC BACC30M6) (OPT HL79-6 (V73197)) (OPT HL79-6 (V92215)) (OPT 66014-6 (V56878)) (OPT HL79-6 (V56878))	A,C-F ,M, P-U,A E-BV	10
910	114T4151-17		..PANEL-LWR CLOSURE	A,C,D ,F,Q, T,A E-AZ	1
-912	114T4151-18		..PANEL-LWR CLOSURE	E,M,P ,R,S, U,B A-BV	1
914	114T4151-19		..PANEL-LWR CLOSURE	A,C,D ,F,Q, T,A E-AZ	1
-916	114T4151-20		..PANEL-LWR CLOSURE	E,M,P ,R,S, U,B A-BV	1
			INSTALLATION PARTS	A,C-F ,M, P-U,A E-BV	

**57-43-41**

FIG. & ITEM	PART NO.	AIRLINE PART NUMBER	NOMENCLATURE 1234567	EFF CODE	QTY PER ASSY
02-					
960	114T4180-1		DELETED		
-960A	114T4180-11		DELETED		
-960B	114T4180-21		DELETED		
-960C	114T4180-31		DELETED		
965	ADB07V301NC		DELETED		
970	114T4180-6		DELETED		
-970A	114T4180-16		DELETED		
-970B	114T4180-26		DELETED		
-970C	114T4180-36		DELETED		

- Item Not Illustrated

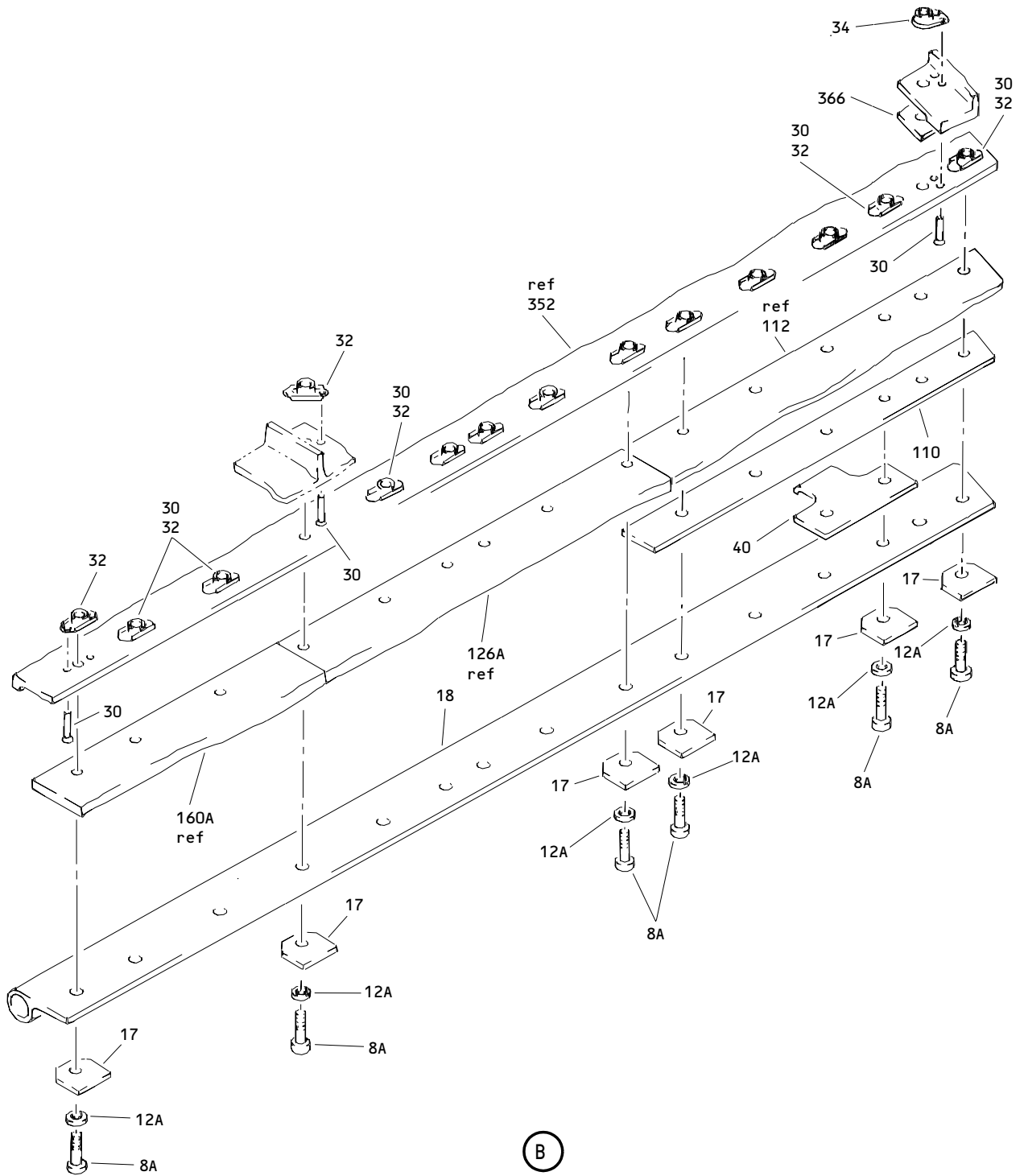
**57-43-41**



Outboard Slat No. 1 Wing Leading Edge Structure Assembly  
 Figure 3 (Sheet 1)

**57-43-41**

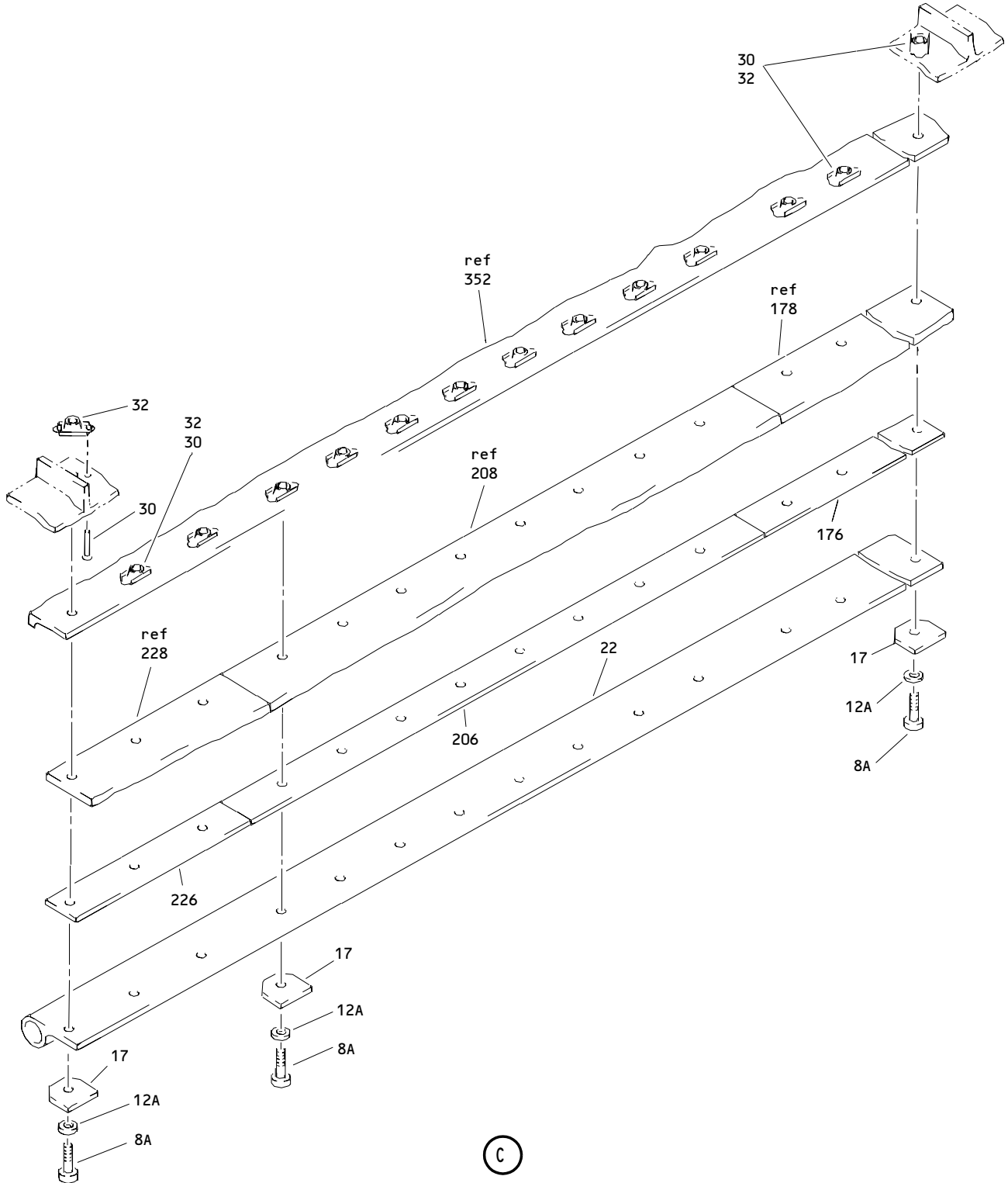
ILLUSTRATED PARTS LIST  
 01.1 Page 1092F  
 Mar 01/04



Outboard Slat No. 1 Wing Leading Edge Structure Assembly  
Figure 3 (Sheet 2)

**57-43-41**

ILLUSTRATED PARTS LIST  
01.1 Page 1092G  
Mar 01/04

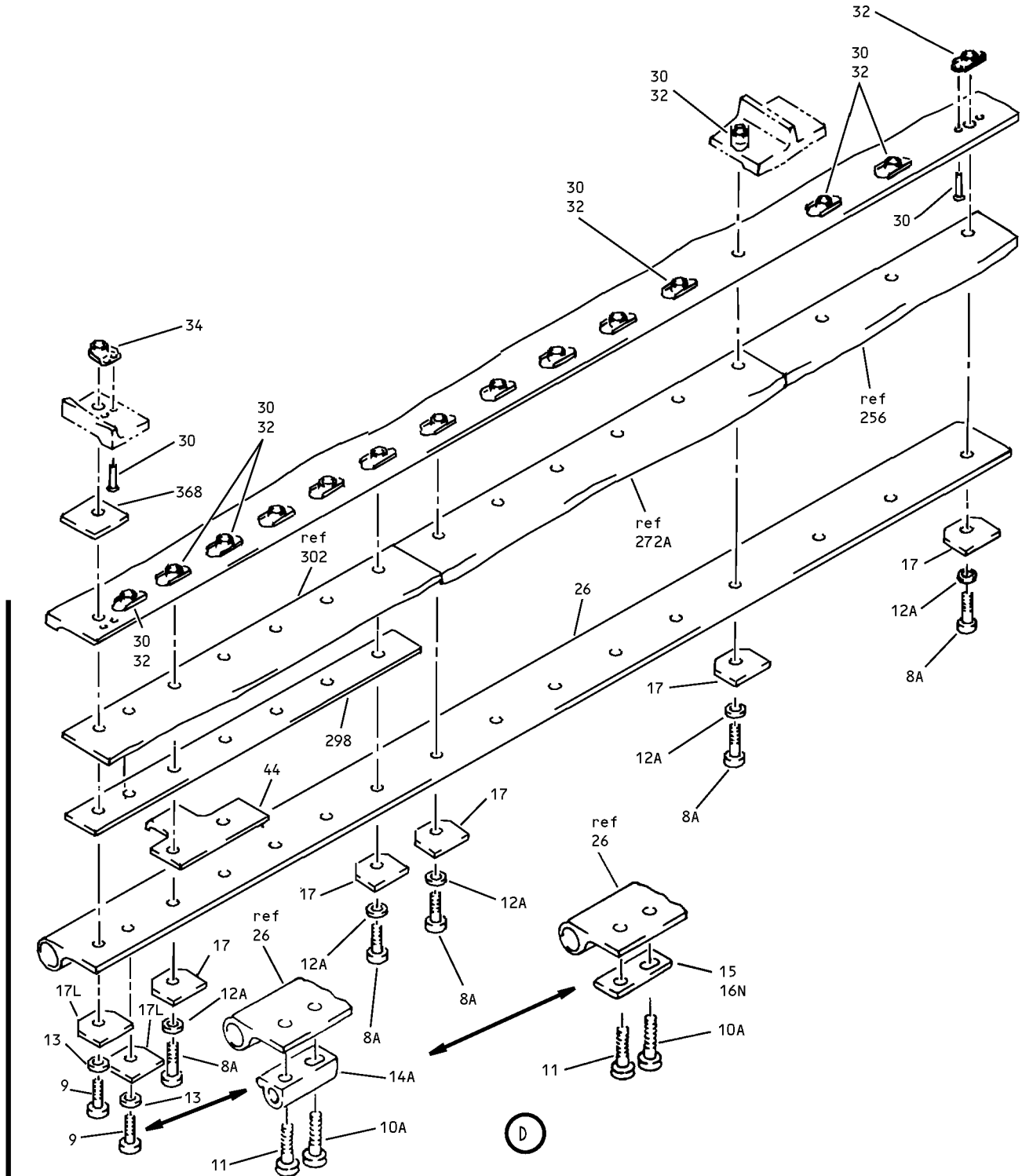


Outboard Slat No. 1 Wing Leading Edge Structure Assembly  
 Figure 3 (Sheet 3)

**57-43-41**

ILLUSTRATED PARTS LIST  
 01.1 Page 1092H  
 Mar 01/04

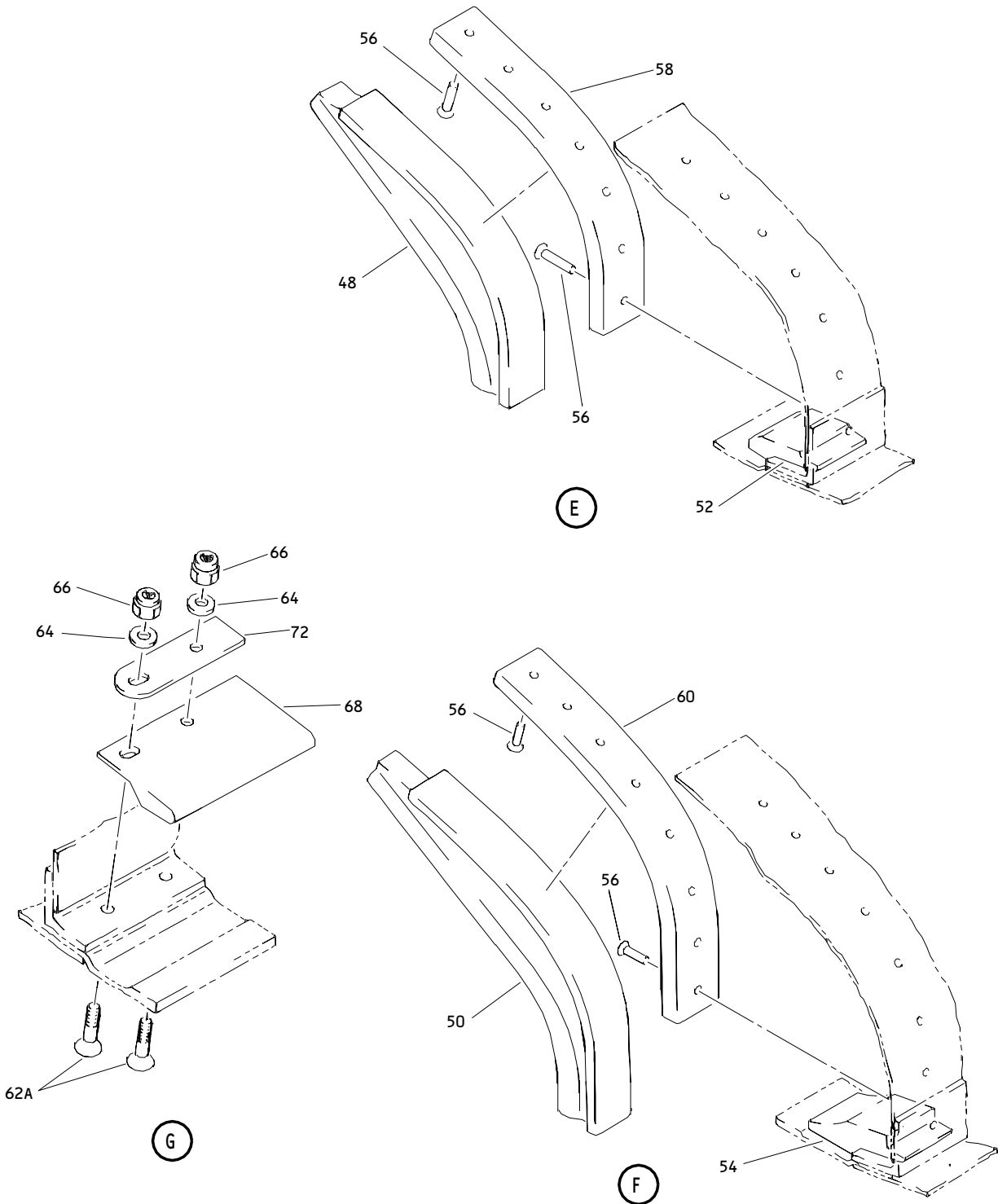




Outboard Slat No. 1 Wing Leading Edge Structure Assembly  
 Figure 3 (Sheet 4)

**57-43-41**

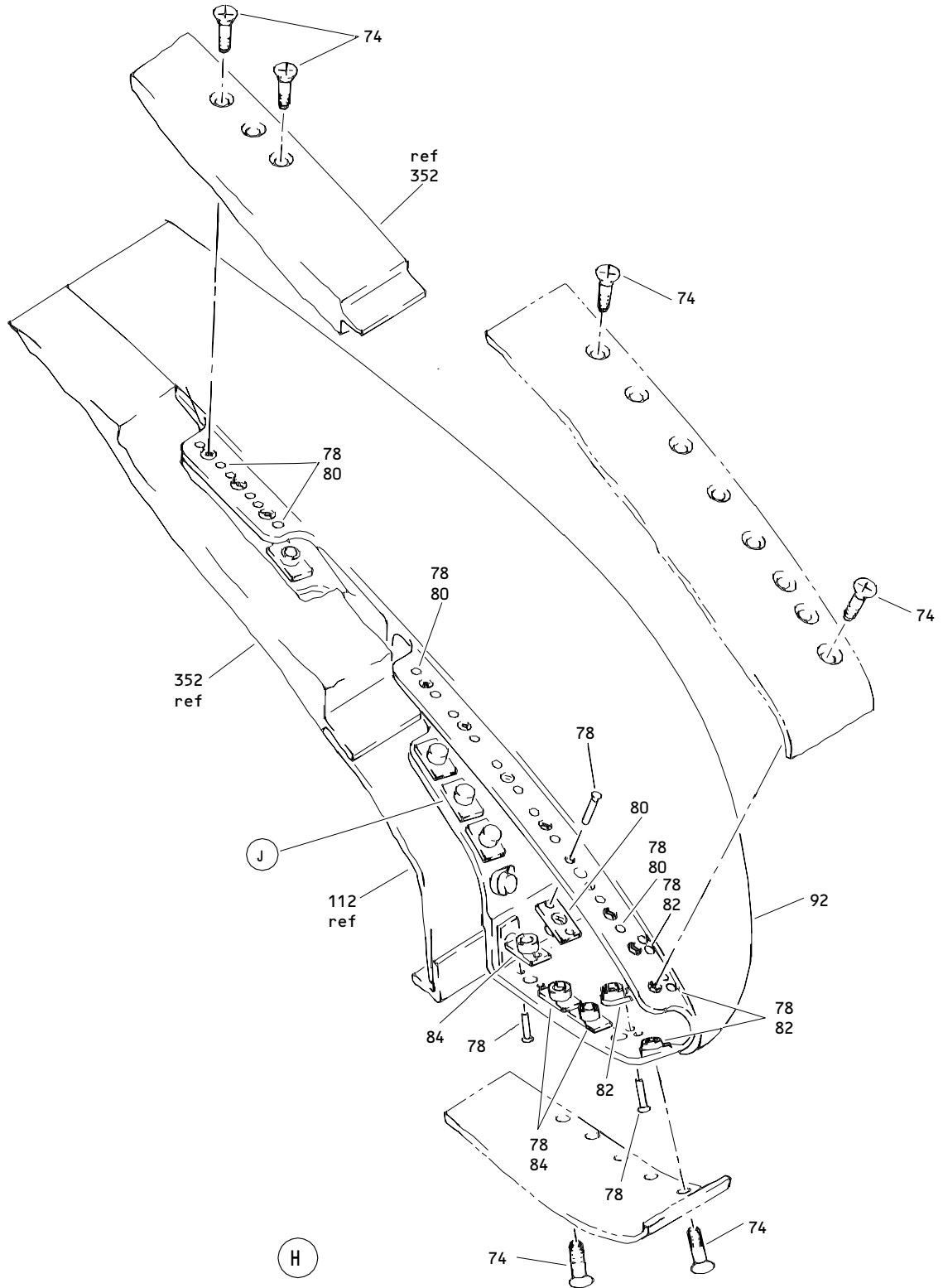
ILLUSTRATED PARTS LIST  
 01.1 Page 1092I  
 Mar 01/04



Outboard Slat No. 1 Wing Leading Edge Structure Assembly  
 Figure 3 (Sheet 5)

**57-43-41**

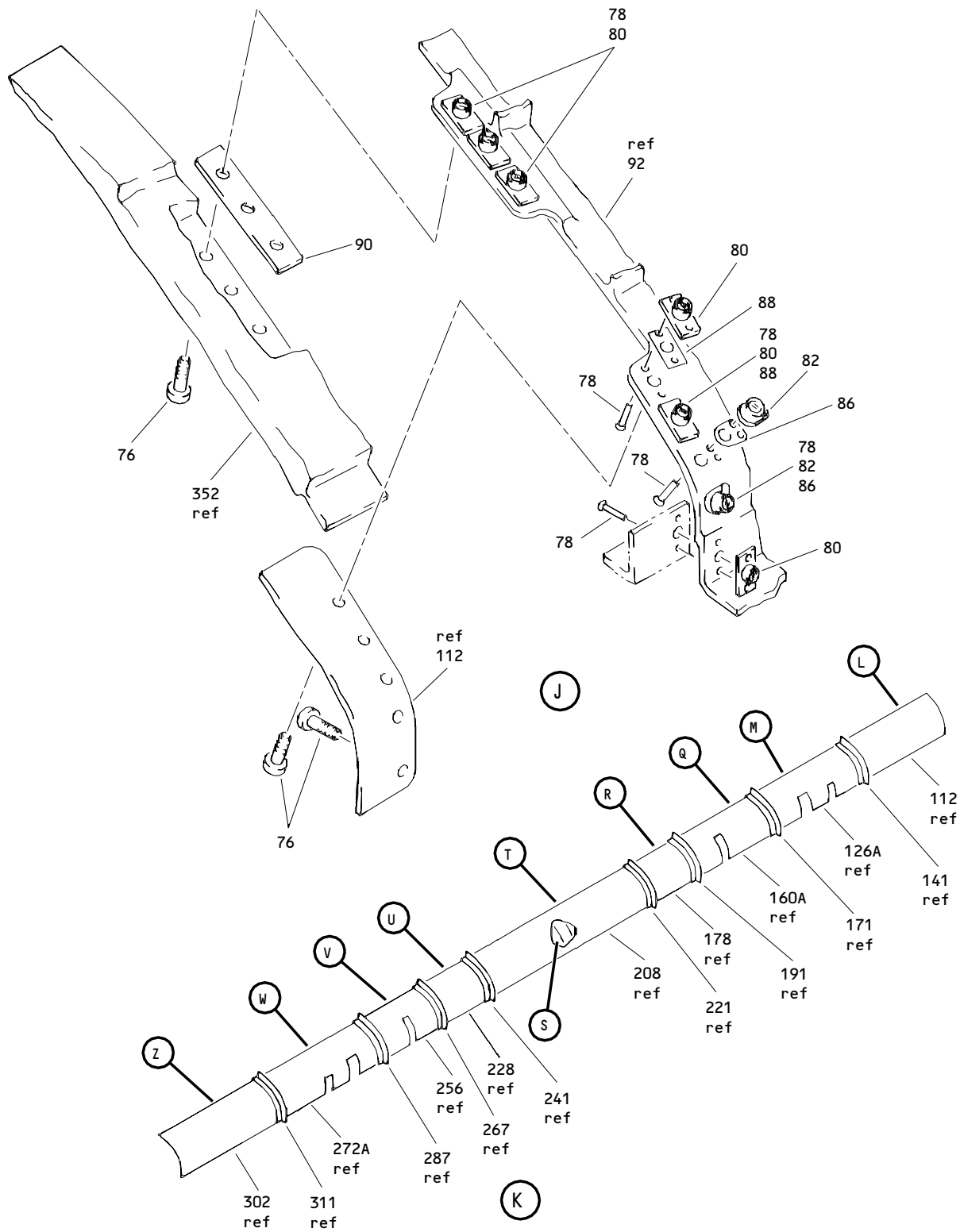
ILLUSTRATED PARTS LIST  
 01.1 Page 1092J  
 Mar 01/04



Outboard Slat No. 1 Wing Leading Edge Structure Assembly  
Figure 3 (Sheet 6)

**57-43-41**

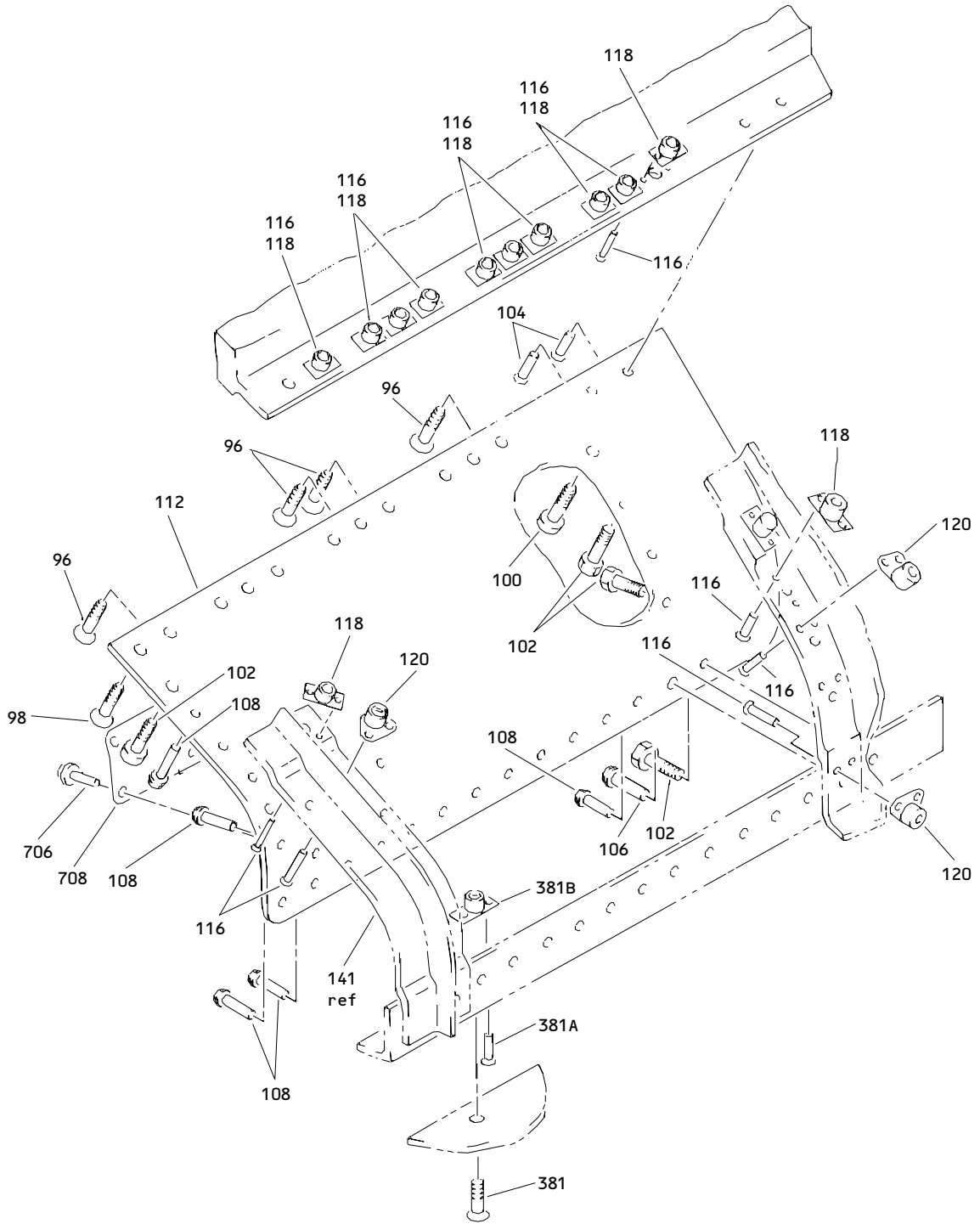
ILLUSTRATED PARTS LIST  
01.1 Page 1092K  
Mar 01/04



Outboard Slat No. 1 Wing Leading Edge Structure Assembly  
 Figure 3 (Sheet 7)

**57-43-41**

ILLUSTRATED PARTS LIST  
 01.1 Page 1092L  
 Mar 01/04

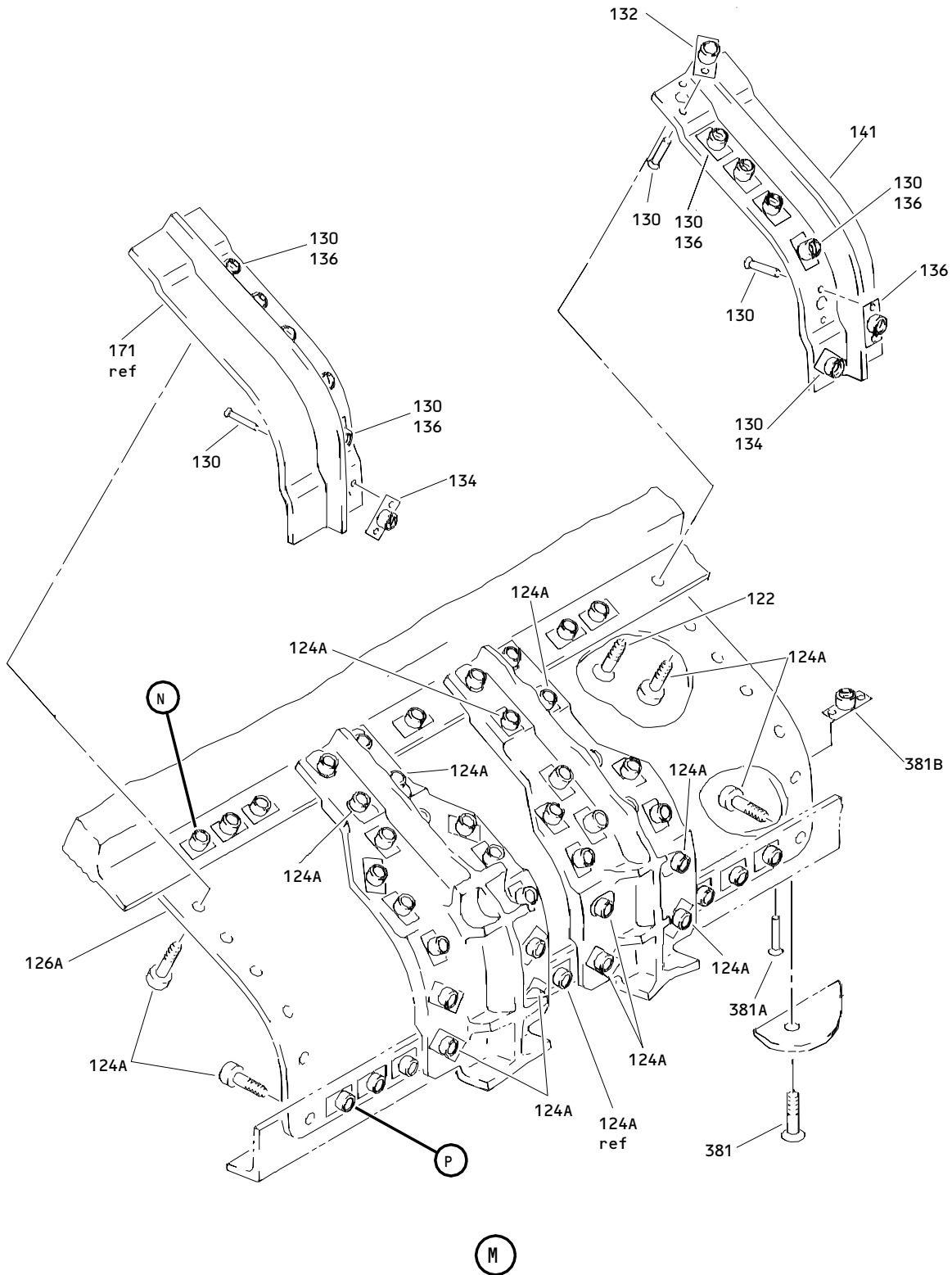


(L)

Outboard Slat No. 1 Wing Leading Edge Structure Assembly  
Figure 3 (Sheet 8)

**57-43-41**

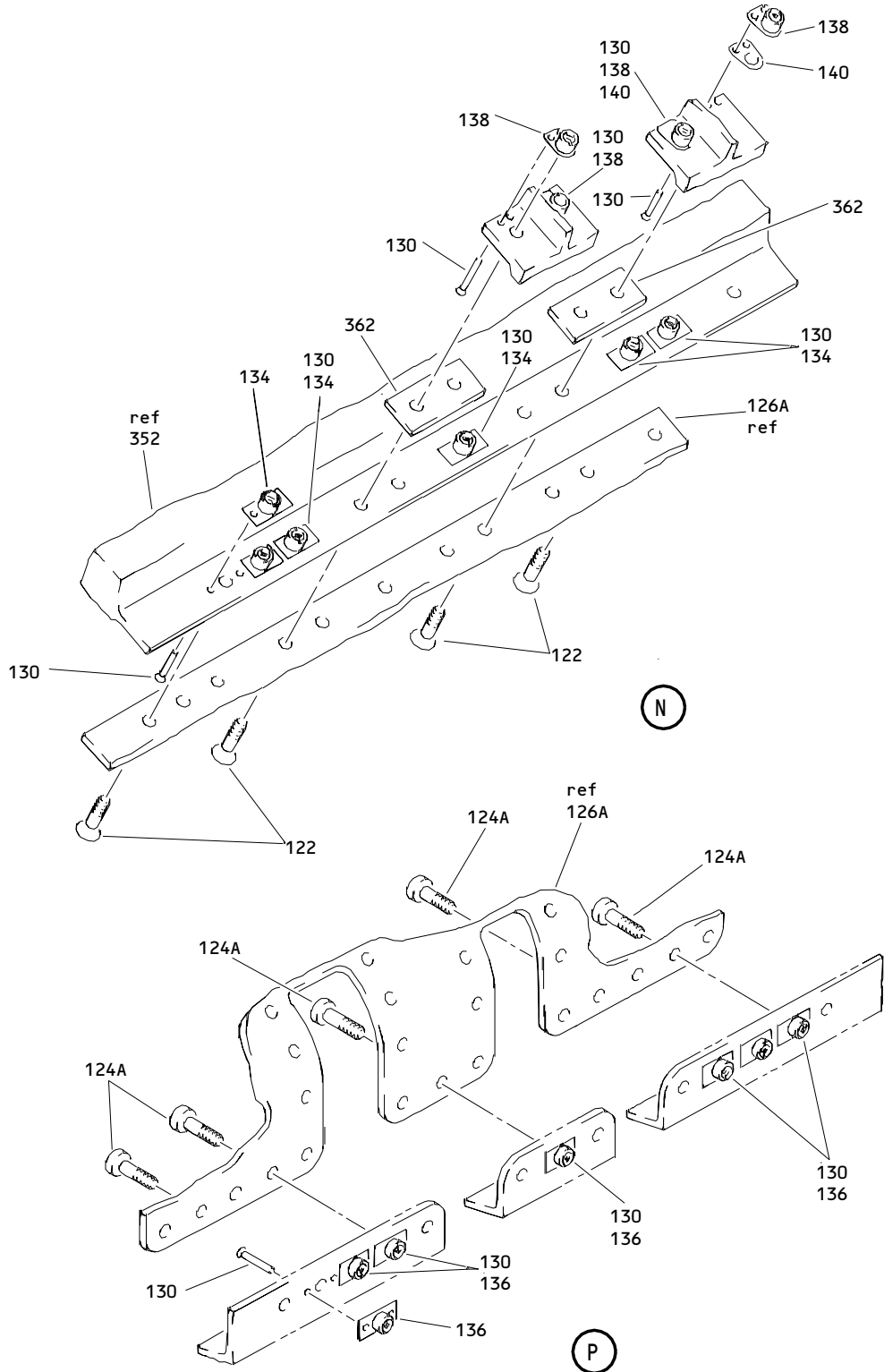
ILLUSTRATED PARTS LIST  
01.1 Page 1092M  
Mar 01/04



Outboard Slat No. 1 Wing Leading Edge Structure Assembly  
 Figure 3 (Sheet 9)

**57-43-41**

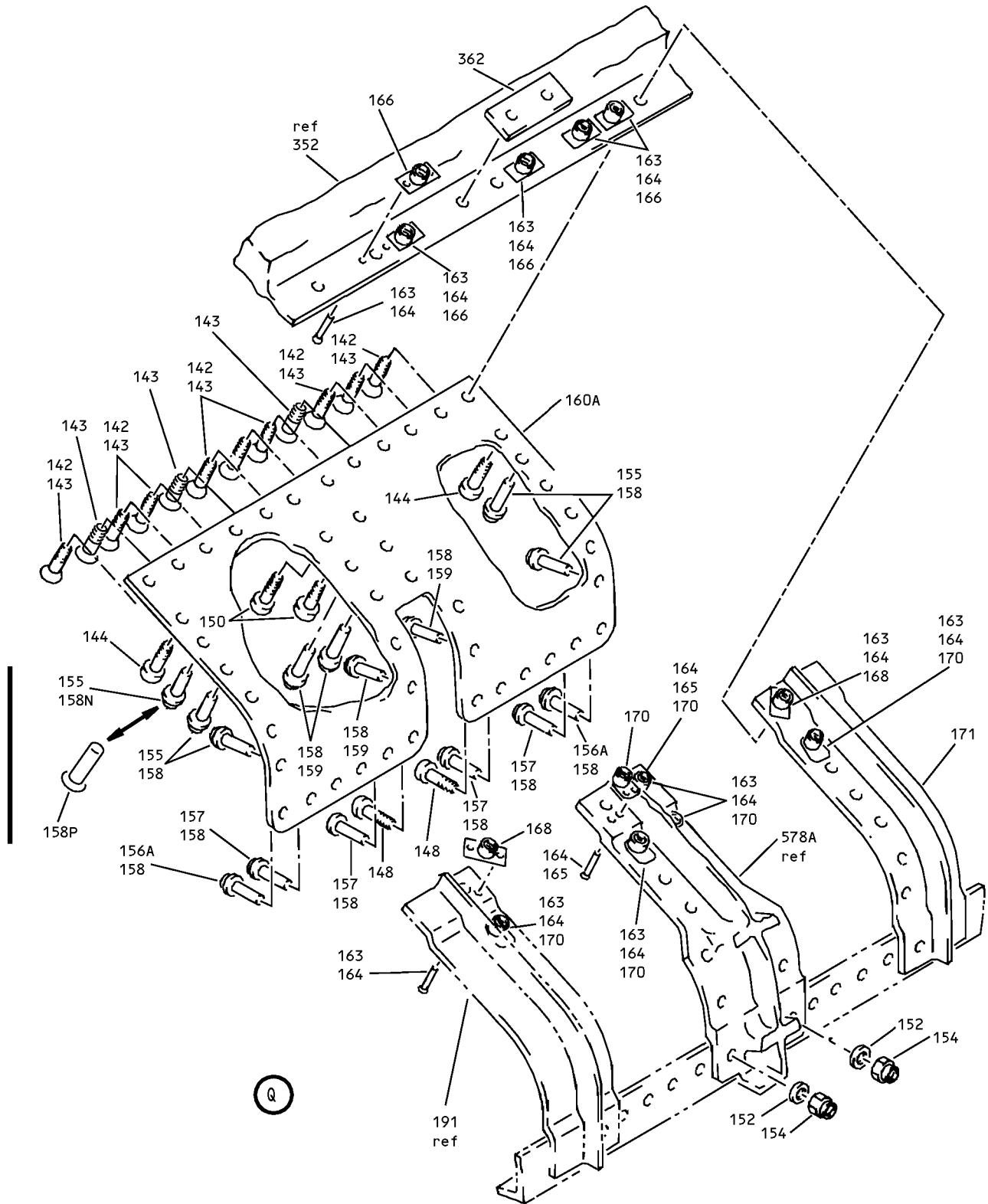
ILLUSTRATED PARTS LIST  
 01.1 Page 1092N  
 Mar 01/04



Outboard Slat No. 1 Wing Leading Edge Structure Assembly  
Figure 3 (Sheet 10)

**57-43-41**

ILLUSTRATED PARTS LIST  
01.1 Page 10920  
Mar 01/04

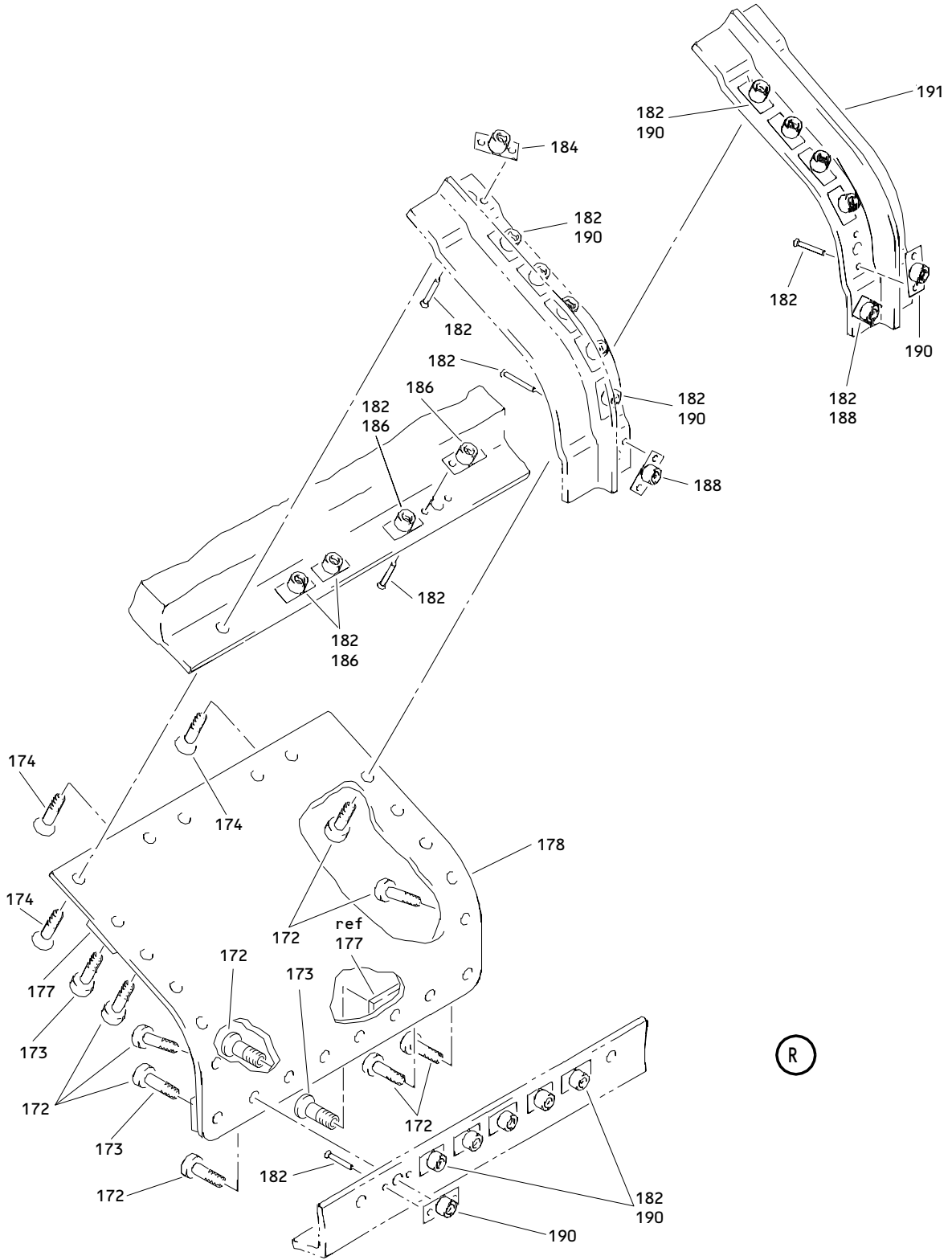


Outboard Slat No. 1 Wing Leading Edge Structure Assembly  
 Figure 3 (Sheet 11)

**57-43-41**

ILLUSTRATED PARTS LIST  
 01.1 Page 1092P  
 Mar 01/04

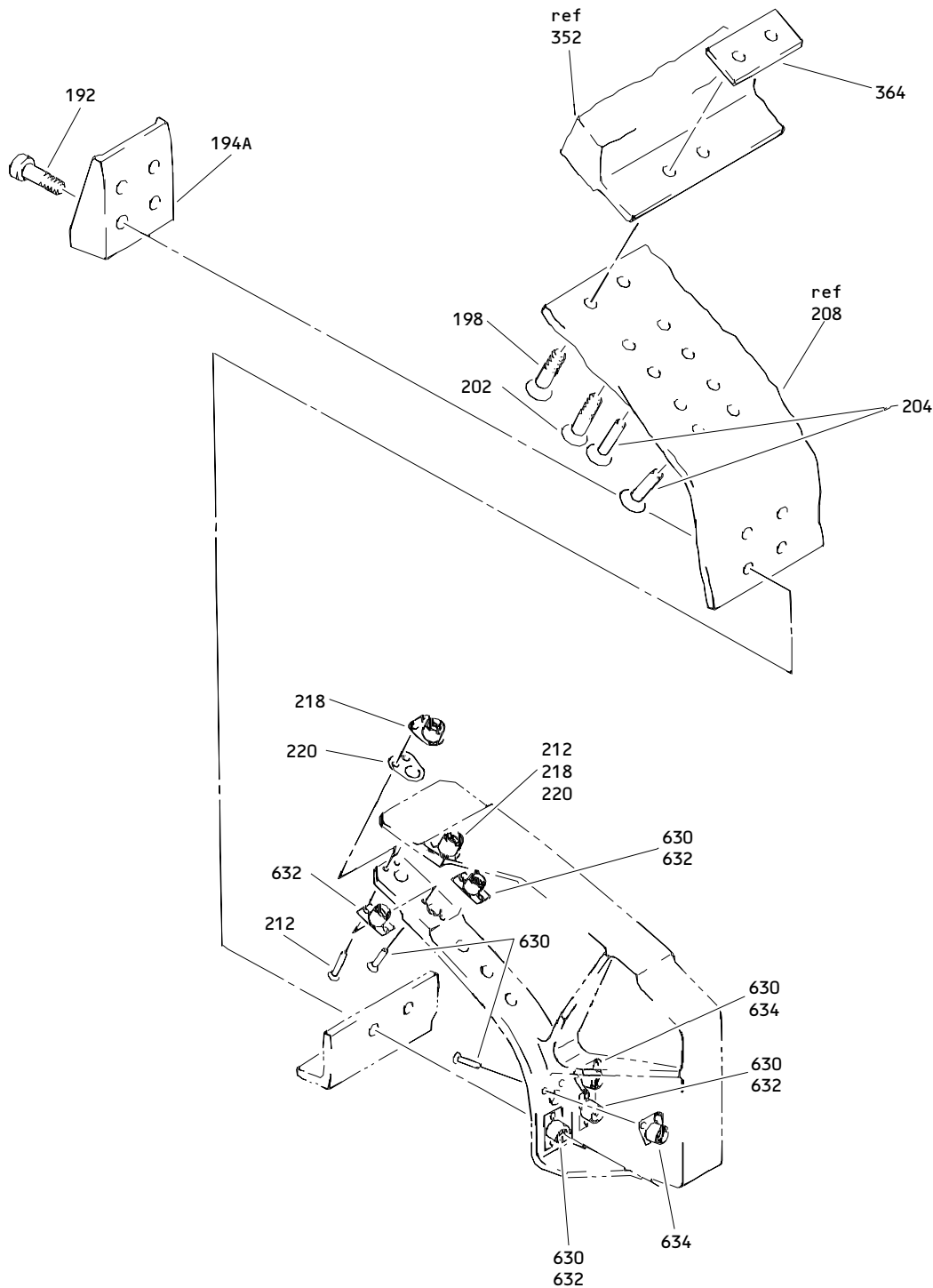




Outboard Slat No. 1 Wing Leading Edge Structure Assembly  
Figure 3 (Sheet 12)

**57-43-41**

ILLUSTRATED PARTS LIST  
01.1 Page 1092Q  
Mar 01/04

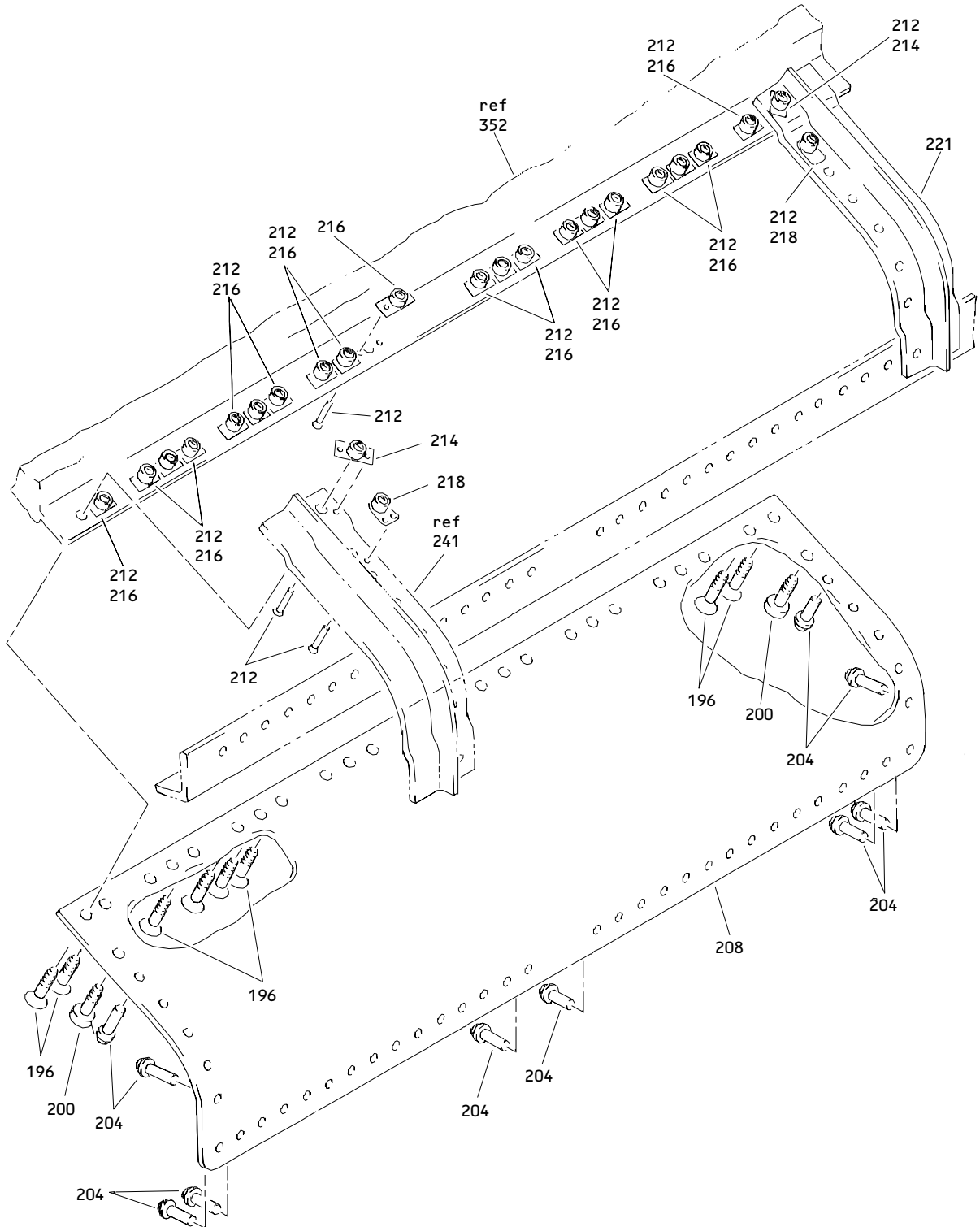


(S)

Outboard Slat No. 1 Wing Leading Edge Structure Assembly  
 Figure 3 (Sheet 13)

**57-43-41**

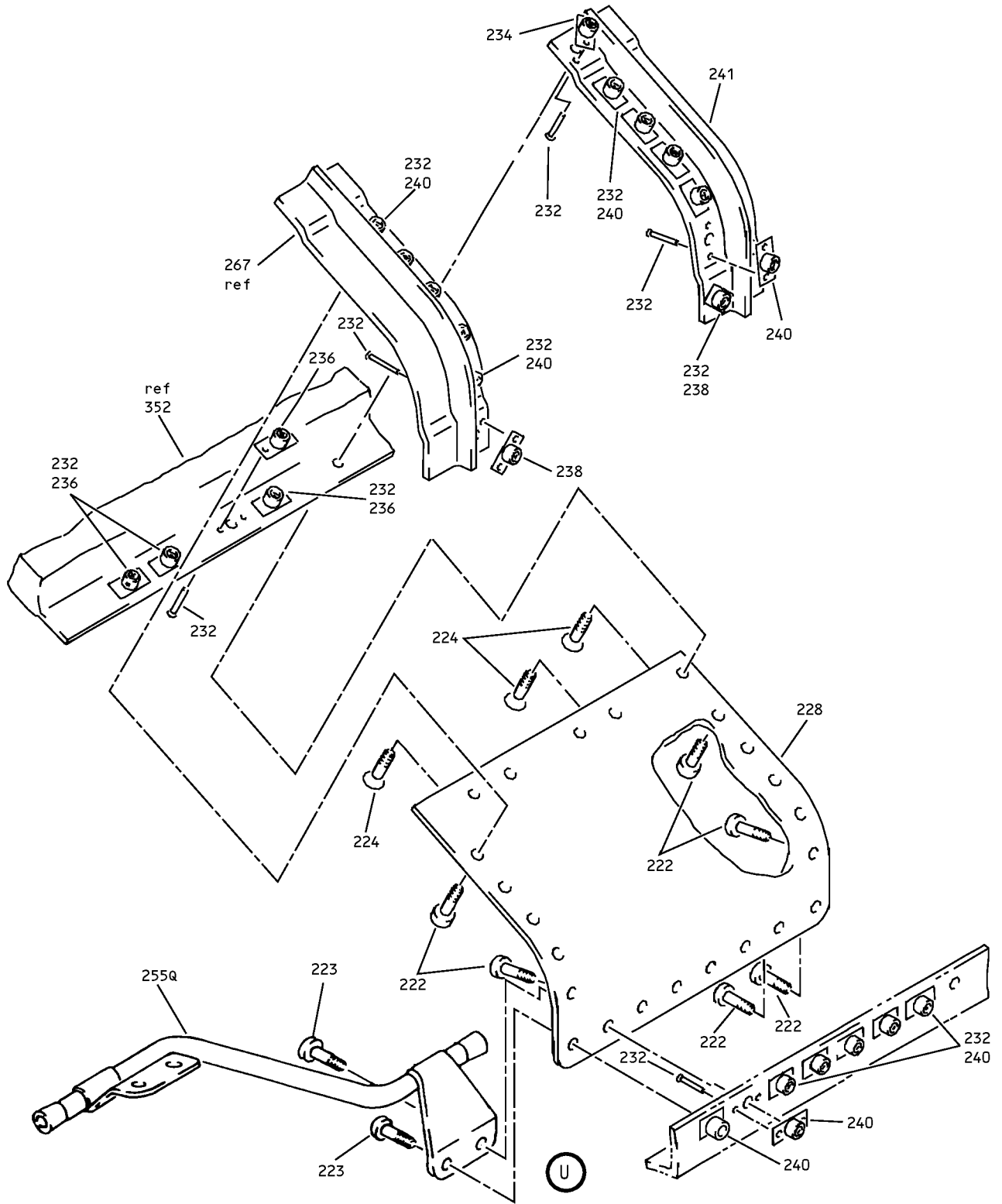
ILLUSTRATED PARTS LIST  
 01.1 Page 1092R  
 Mar 01/04



Outboard Slat No. 1 Wing Leading Edge Structure Assembly  
Figure 3 (Sheet 14)

**57-43-41**

ILLUSTRATED PARTS LIST  
01.1 Page 1092S  
Mar 01/04

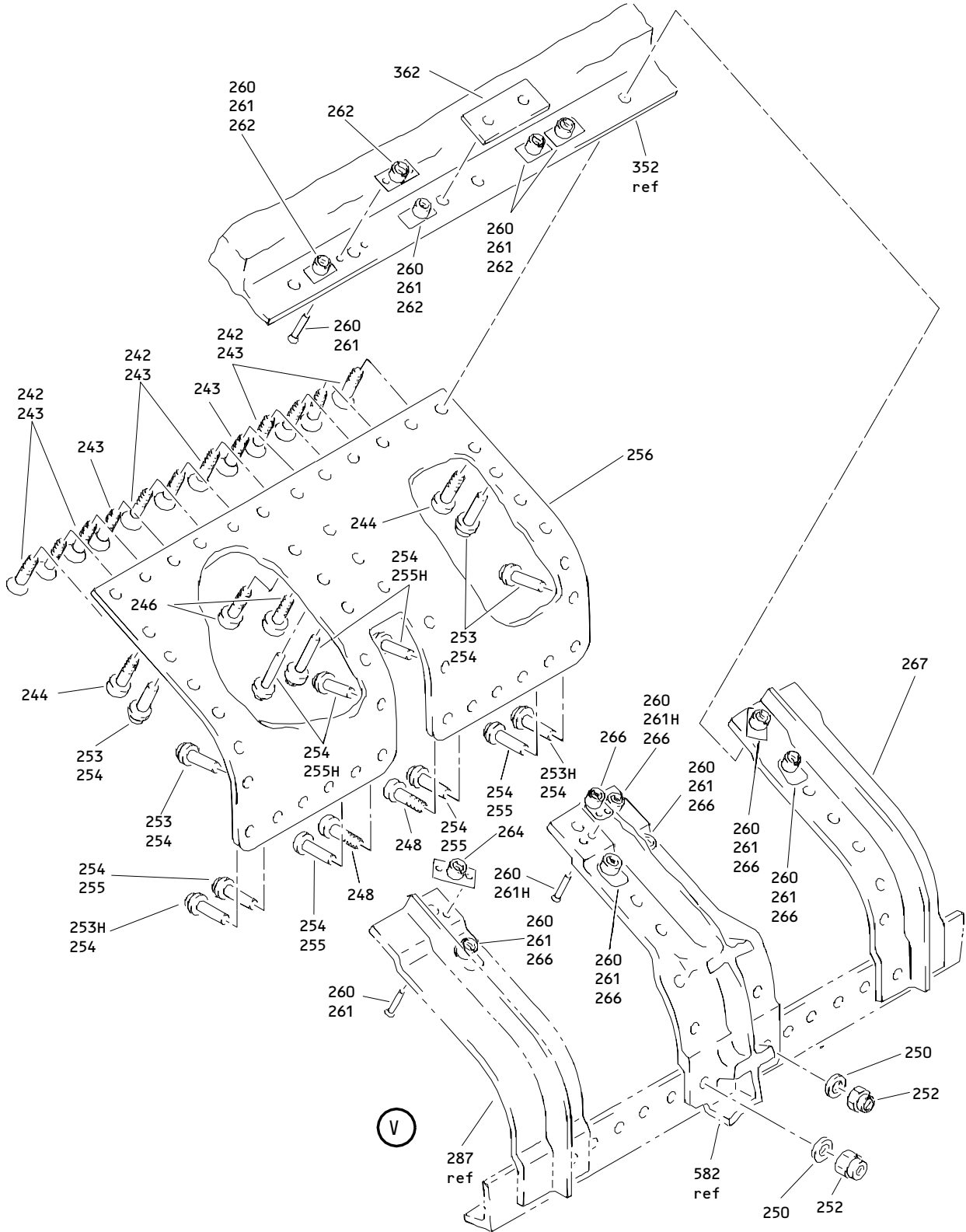


Outboard Slat No. 1 Wing Leading Edge Structure Assembly  
 Figure 3 (Sheet 15)

**57-43-41**

ILLUSTRATED PARTS LIST  
 01.1 Page 1092T  
 Mar 01/04

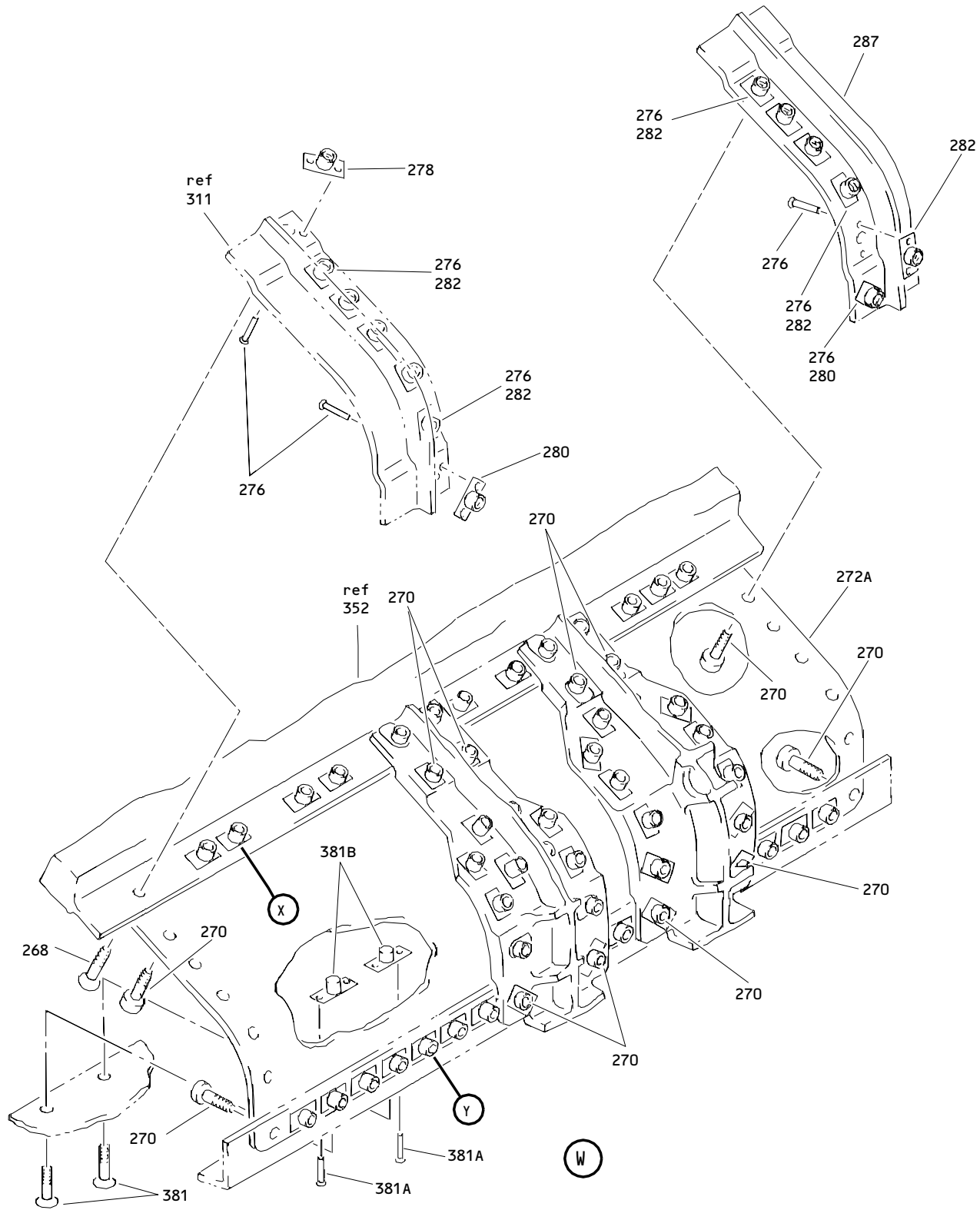
T73790



Outboard Slat No. 1 Wing Leading Edge Structure Assembly  
Figure 3 (Sheet 16)

**57-43-41**

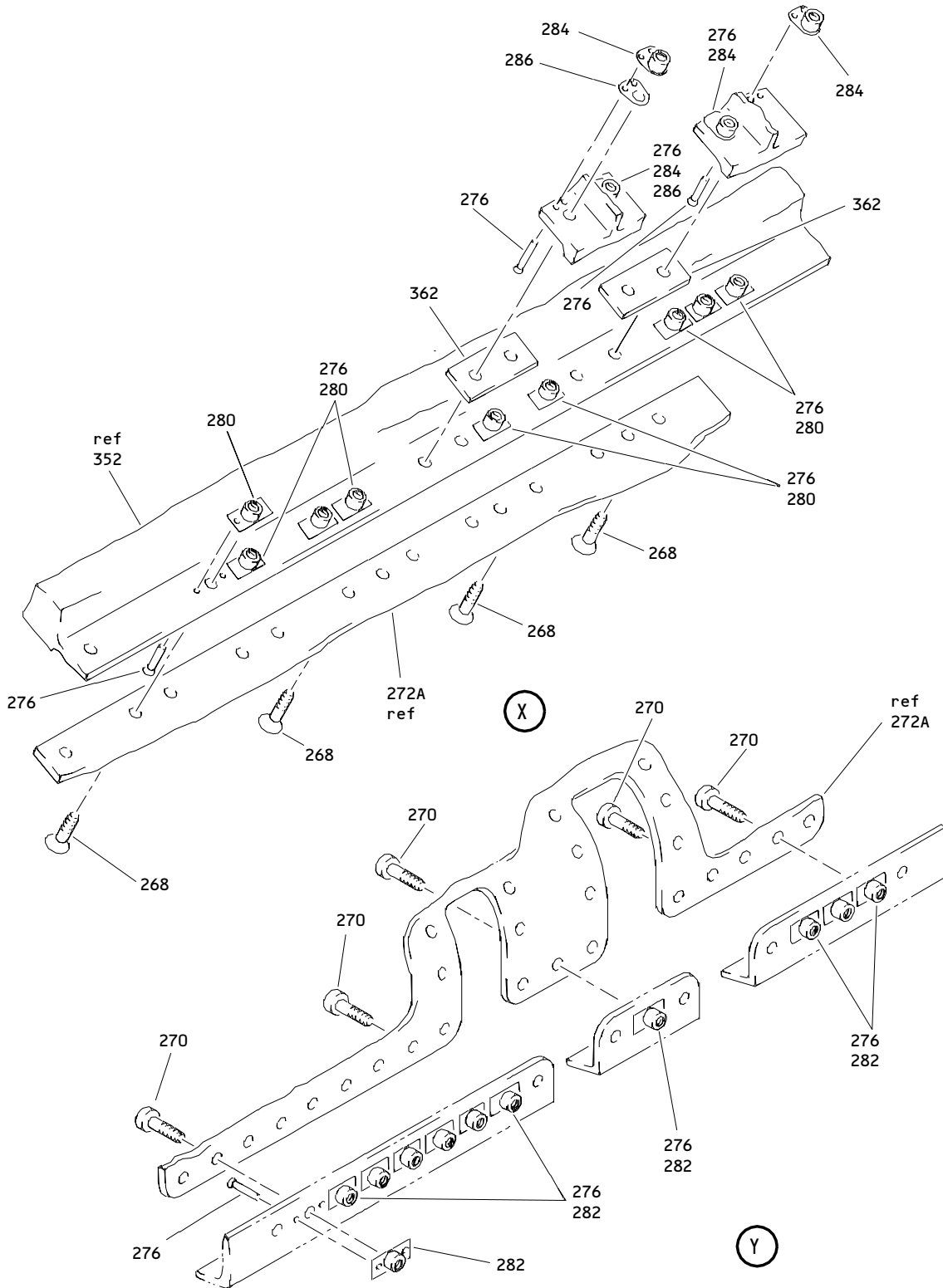
ILLUSTRATED PARTS LIST  
01.1 Page 1092U  
Mar 01/04



Outboard Slat No. 1 Wing Leading Edge Structure Assembly  
 Figure 3 (Sheet 17)

**57-43-41**

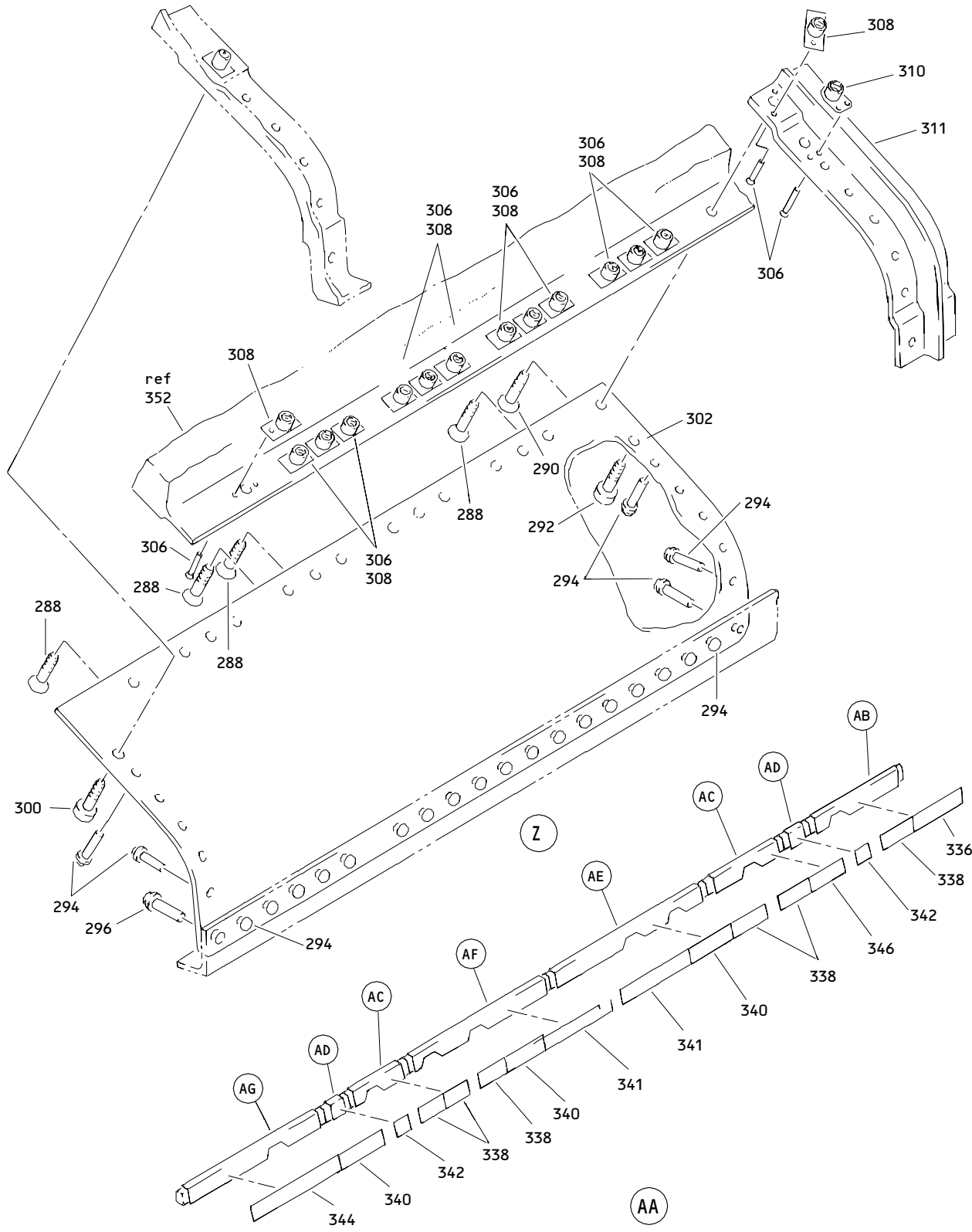
ILLUSTRATED PARTS LIST  
 01.1 Page 1092V  
 Mar 01/04



Outboard Slat No. 1 Wing Leading Edge Structure Assembly  
Figure 3 (Sheet 18)

**57-43-41**

ILLUSTRATED PARTS LIST  
01.1 Page 1092W  
Mar 01/04

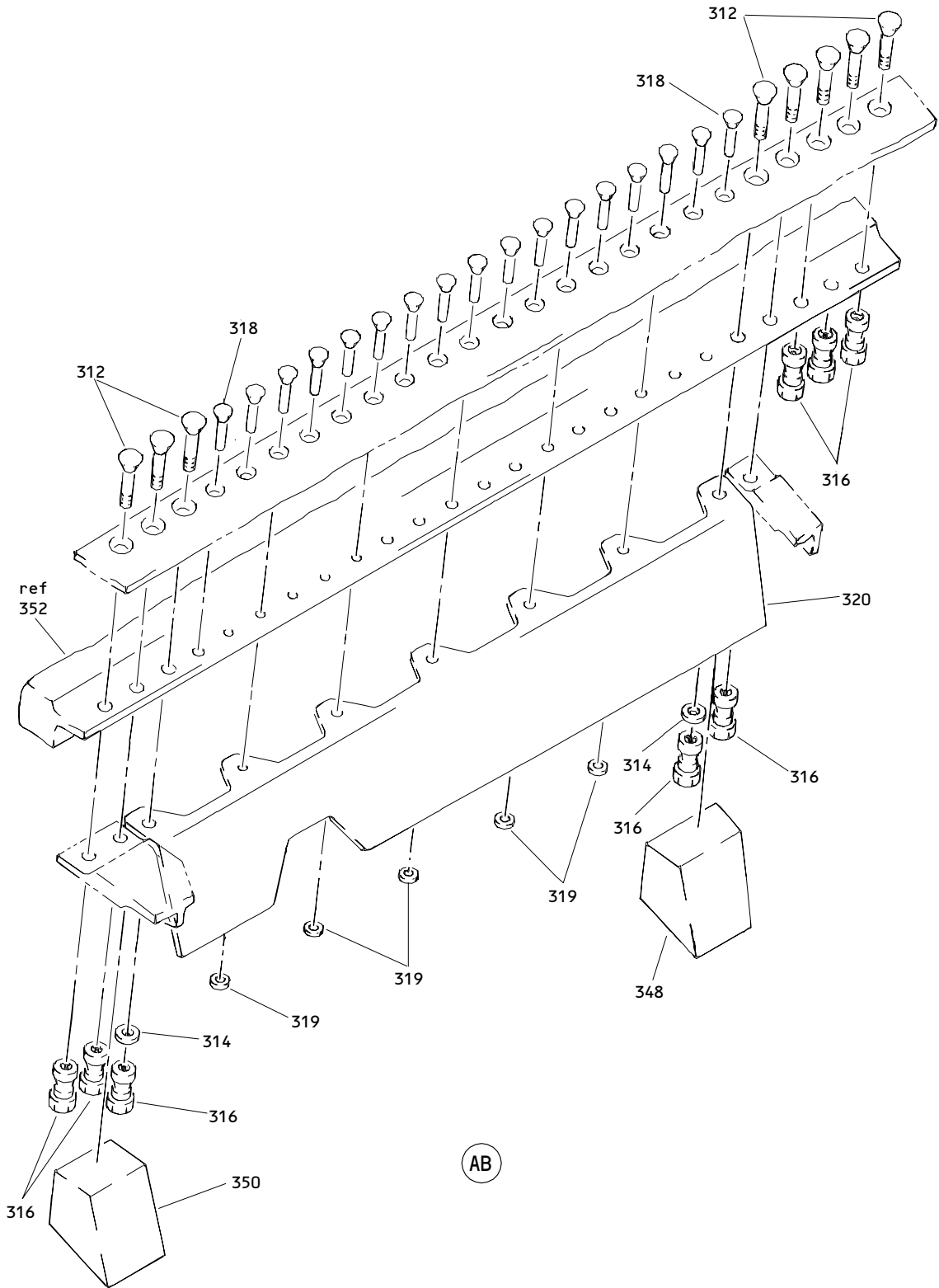


Outboard Slat No. 1 Wing Leading Edge Structure Assembly  
 Figure 3 (Sheet 19)

**57-43-41**

ILLUSTRATED PARTS LIST  
 01.1 Page 1092X  
 Mar 01/04

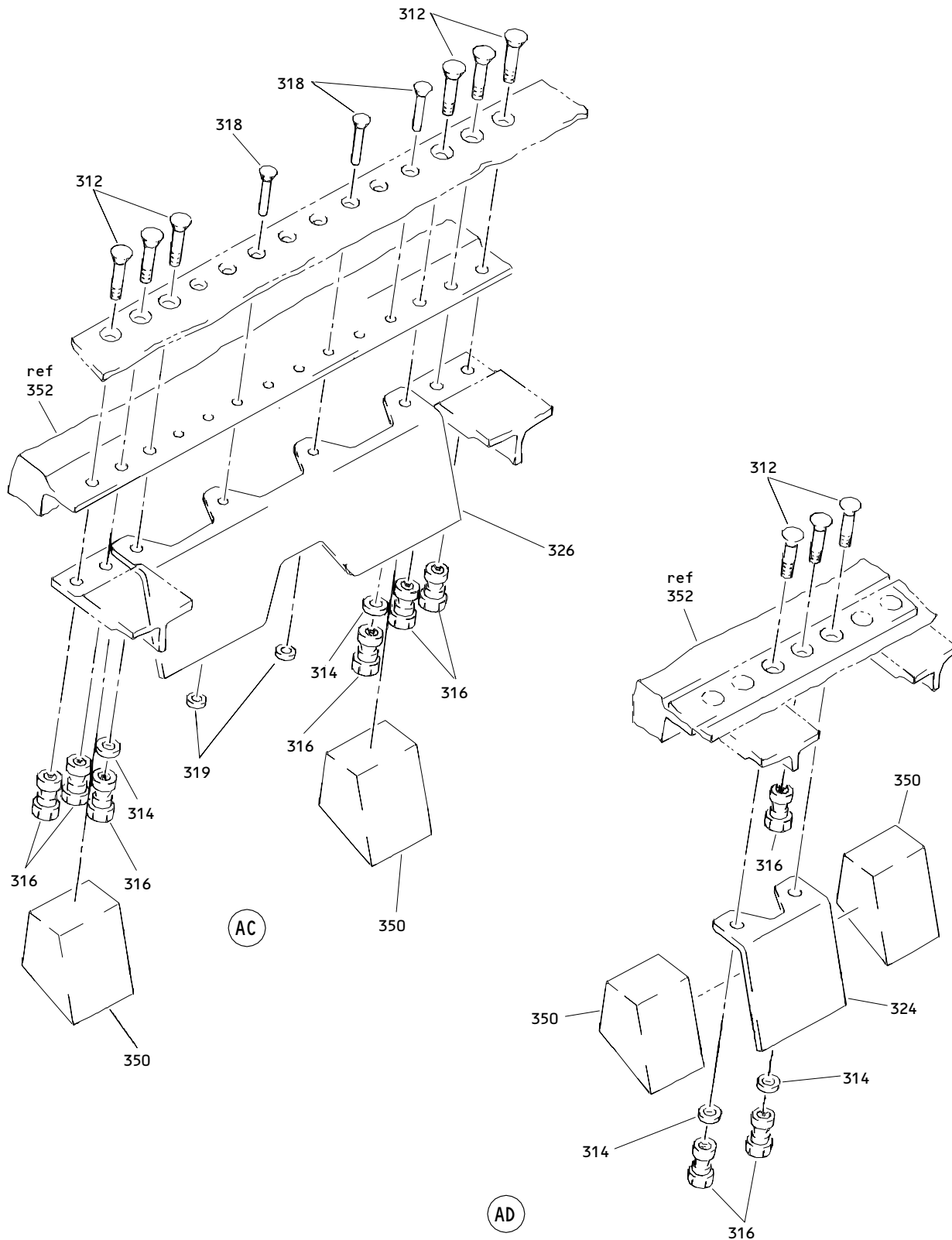




Outboard Slat No. 1 Wing Leading Edge Structure Assembly  
Figure 3 (Sheet 20)

**57-43-41**

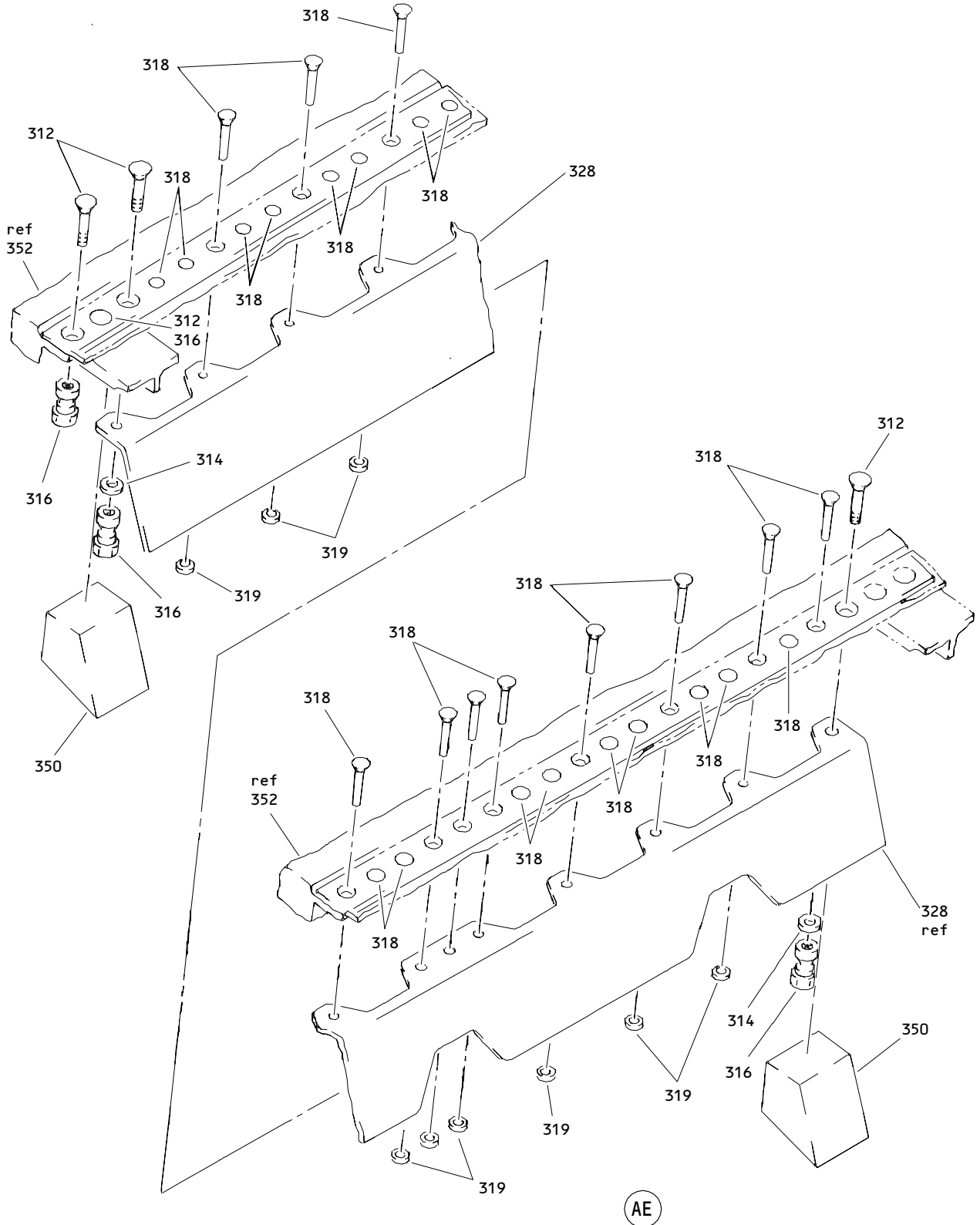
ILLUSTRATED PARTS LIST  
01.1 Page 1092Y  
Mar 01/04



Outboard Slat No. 1 Wing Leading Edge Structure Assembly  
 Figure 3 (Sheet 21)

**57-43-41**

ILLUSTRATED PARTS LIST  
 01.1 Page 1092Z  
 Mar 01/04

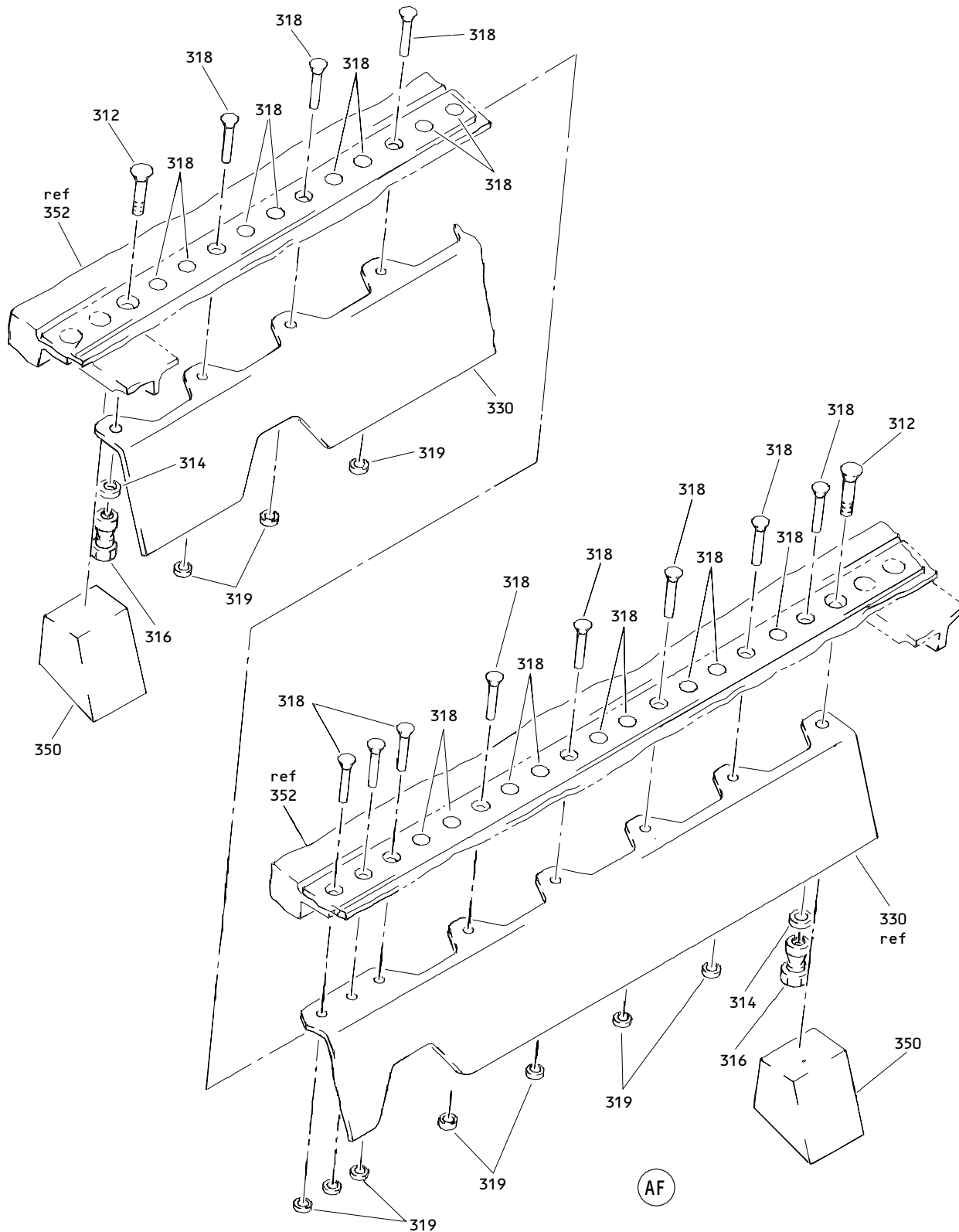


Outboard Slat No. 1 Wing Leading Edge Structure Assembly  
Figure 3 (Sheet 22)

(AE)

**57-43-41**

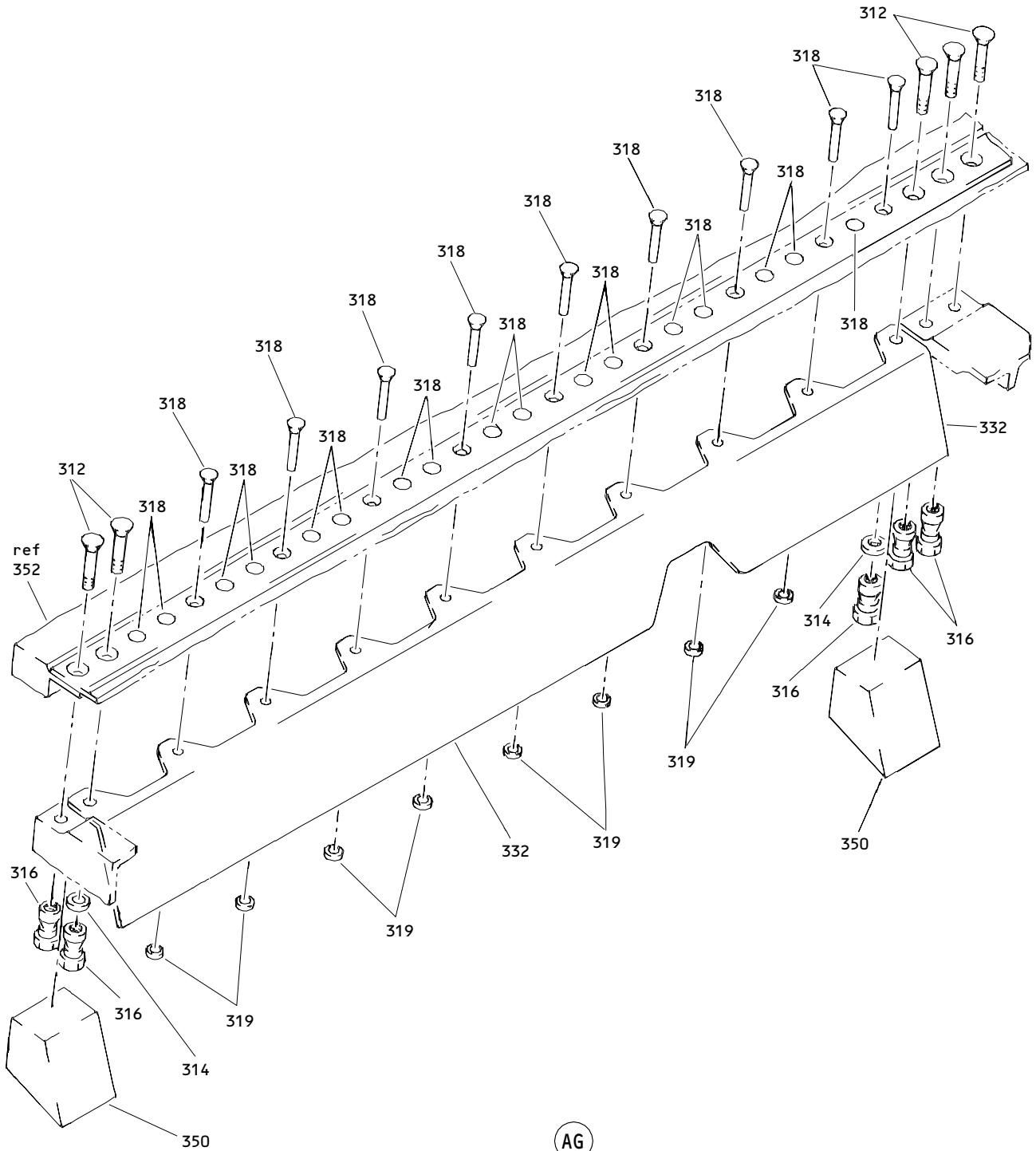
ILLUSTRATED PARTS LIST  
01.1 Page 1093  
Mar 01/04



Outboard Slat No. 1 Wing Leading Edge Structure Assembly  
 Figure 3 (Sheet 23)

**57-43-41**

ILLUSTRATED PARTS LIST  
 01.1 Page 1094  
 Mar 01/04

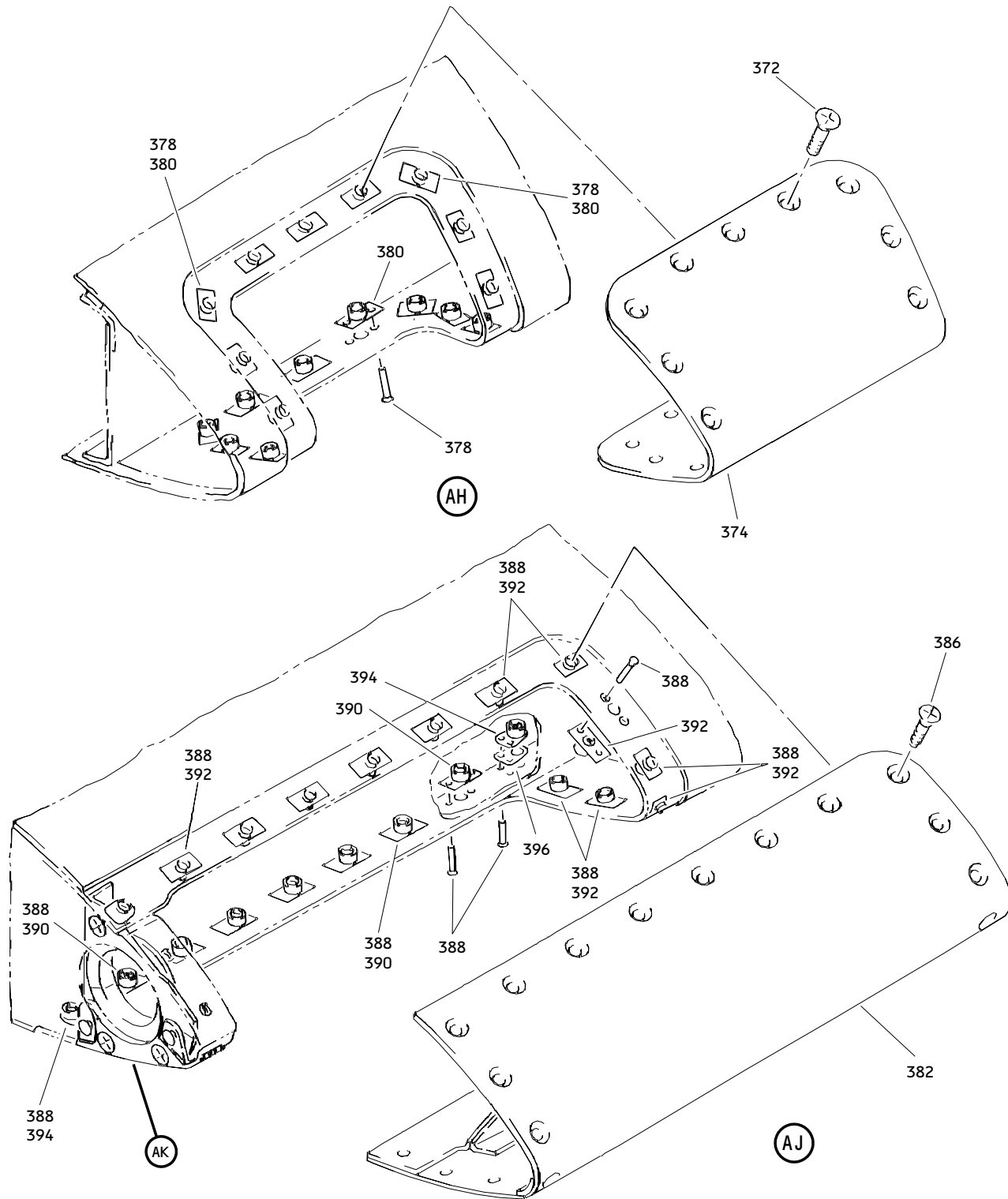


AG

Outboard Slat No. 1 Wing Leading Edge Structure Assembly  
Figure 3 (Sheet 24)

**57-43-41**

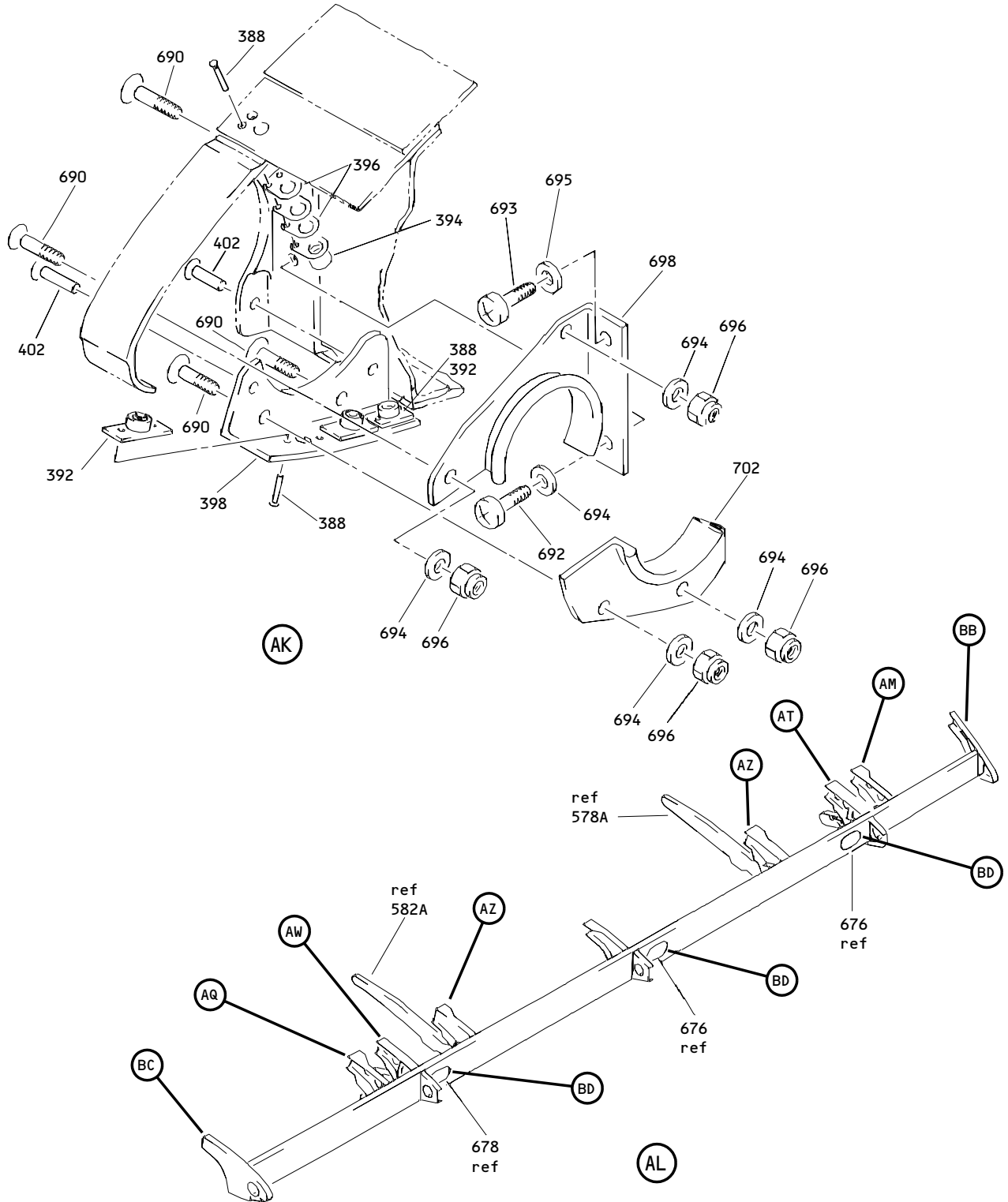
ILLUSTRATED PARTS LIST  
01.1 Page 1094A  
Mar 01/04



Outboard Slat No. 1 Wing Leading Edge Structure Assembly  
 Figure 3 (Sheet 25)

**57-43-41**

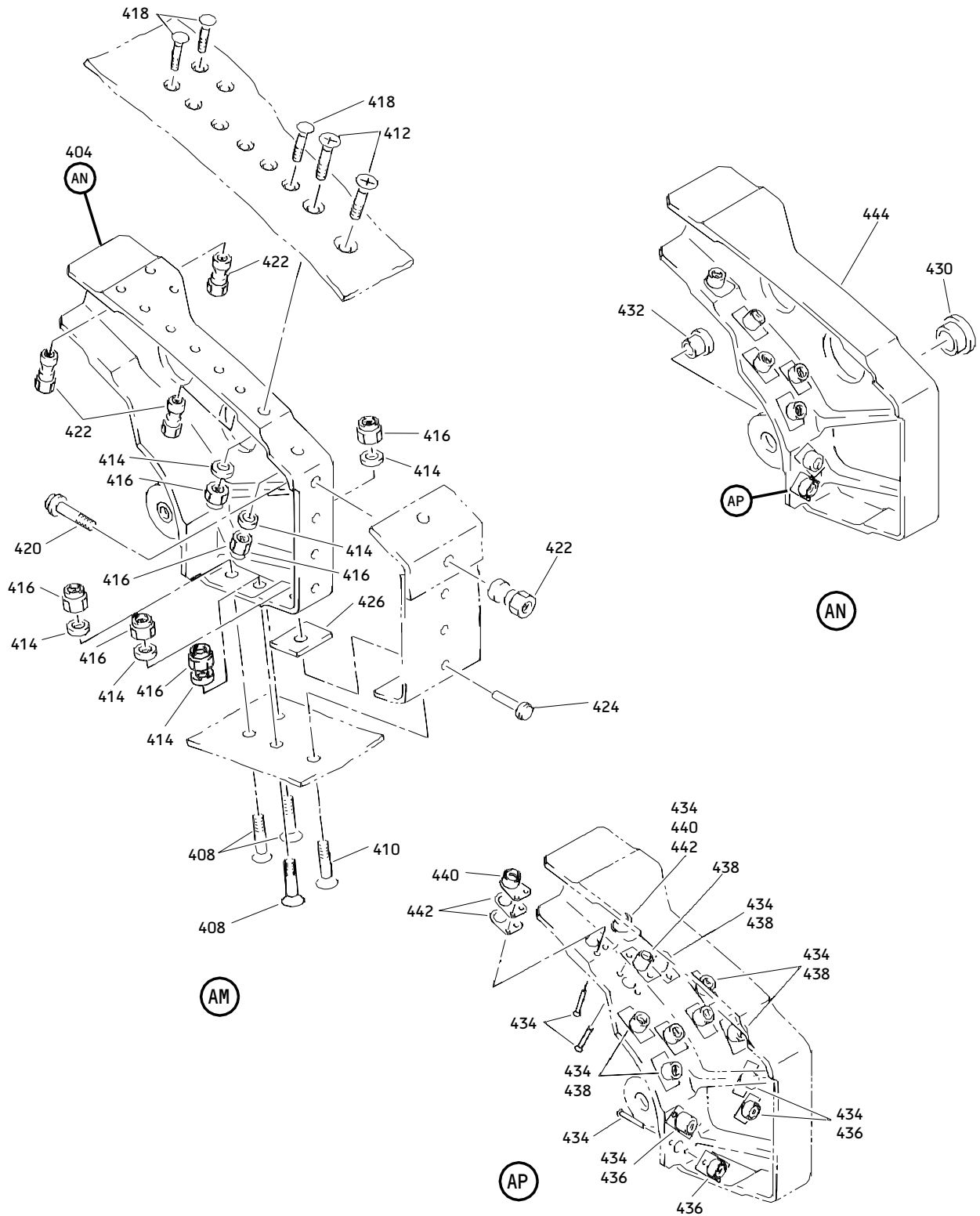
ILLUSTRATED PARTS LIST  
 01.1 Page 1094B  
 Mar 01/04



Outboard Slat No. 1 Wing Leading Edge Structure Assembly  
 Figure 3 (Sheet 26)

**57-43-41**

ILLUSTRATED PARTS LIST  
 01.1 Page 1094C  
 Mar 01/04

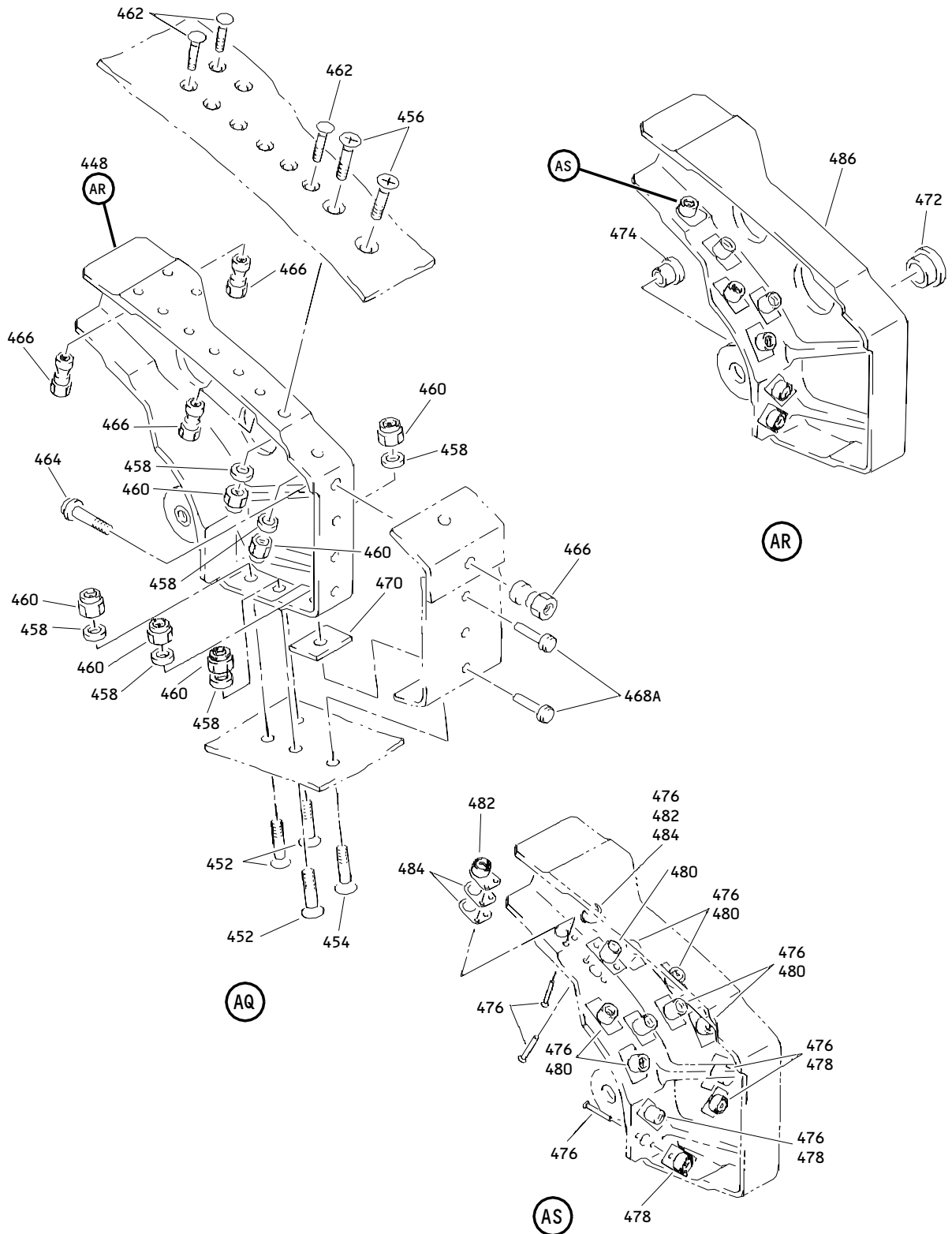


Outboard Slat No. 1 Wing Leading Edge Structure Assembly  
 Figure 3 (Sheet 27)

**57-43-41**

ILLUSTRATED PARTS LIST  
 01.1 Page 1094D  
 Mar 01/04

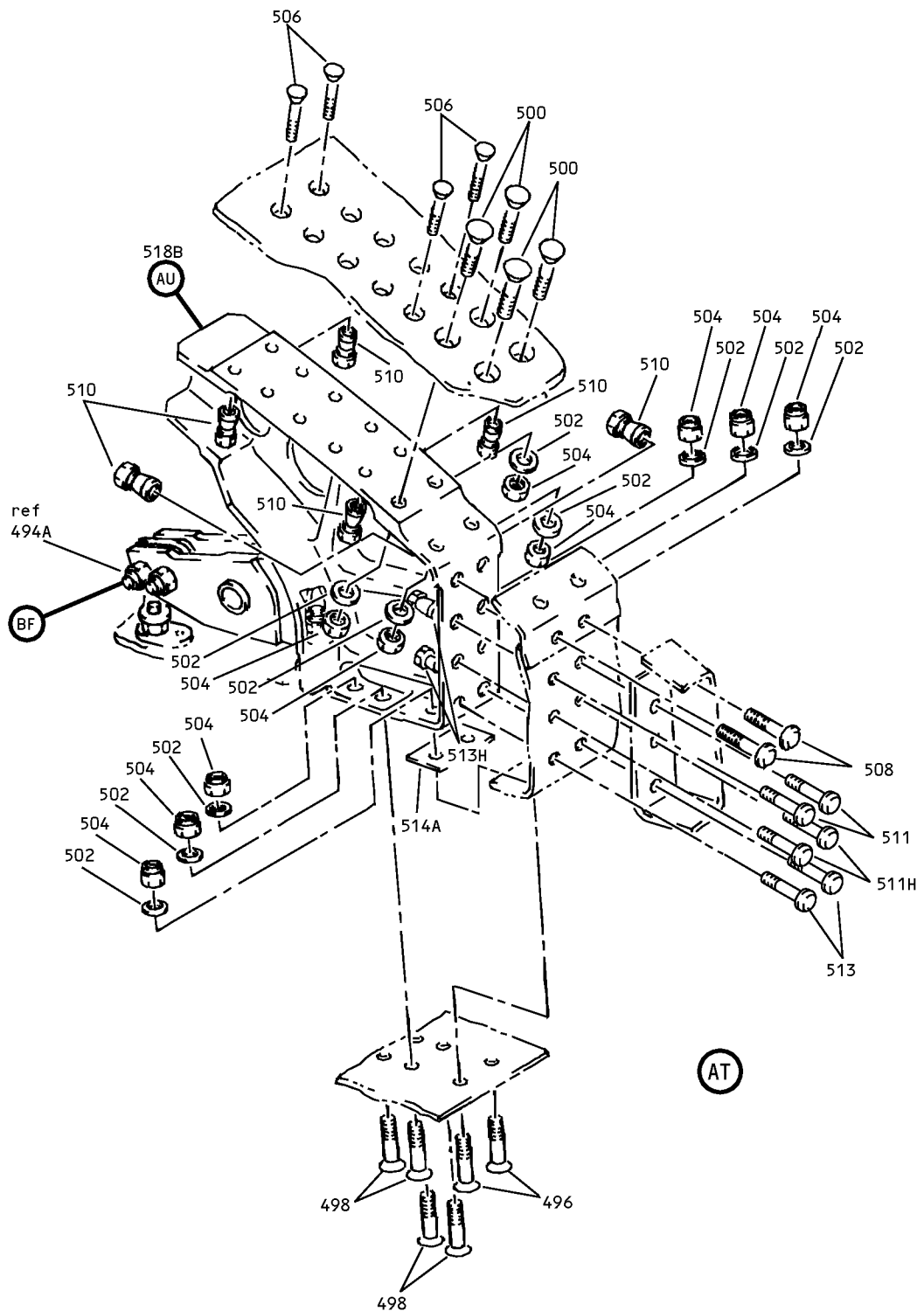




Outboard Slat No. 1 Wing Leading Edge Structure Assembly  
 Figure 3 (Sheet 28)

**57-43-41**

ILLUSTRATED PARTS LIST  
 01.1 Page 1094E  
 Mar 01/04

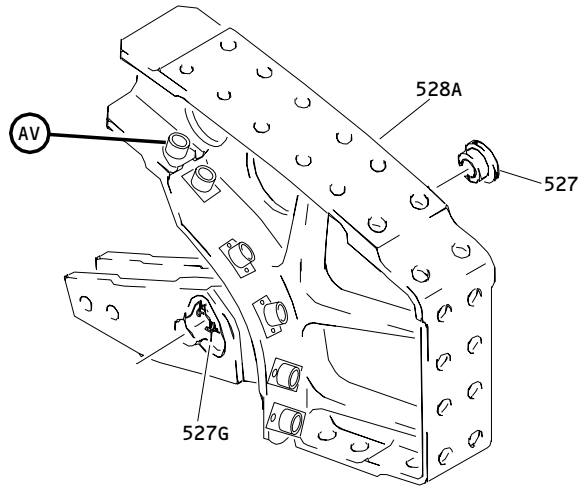


Outboard Slat No. 1 and 12 Wing Leading Edge Structure Assembly  
 Figure 3 (Sheet 29)

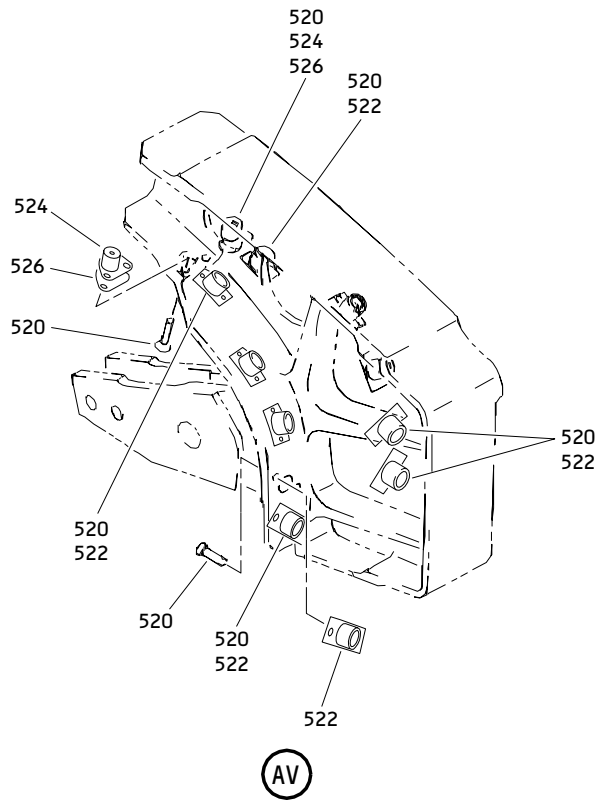
**57-43-41**

ILLUSTRATED PARTS LIST  
 01.1 Page 1094F  
 Mar 01/04

U14836



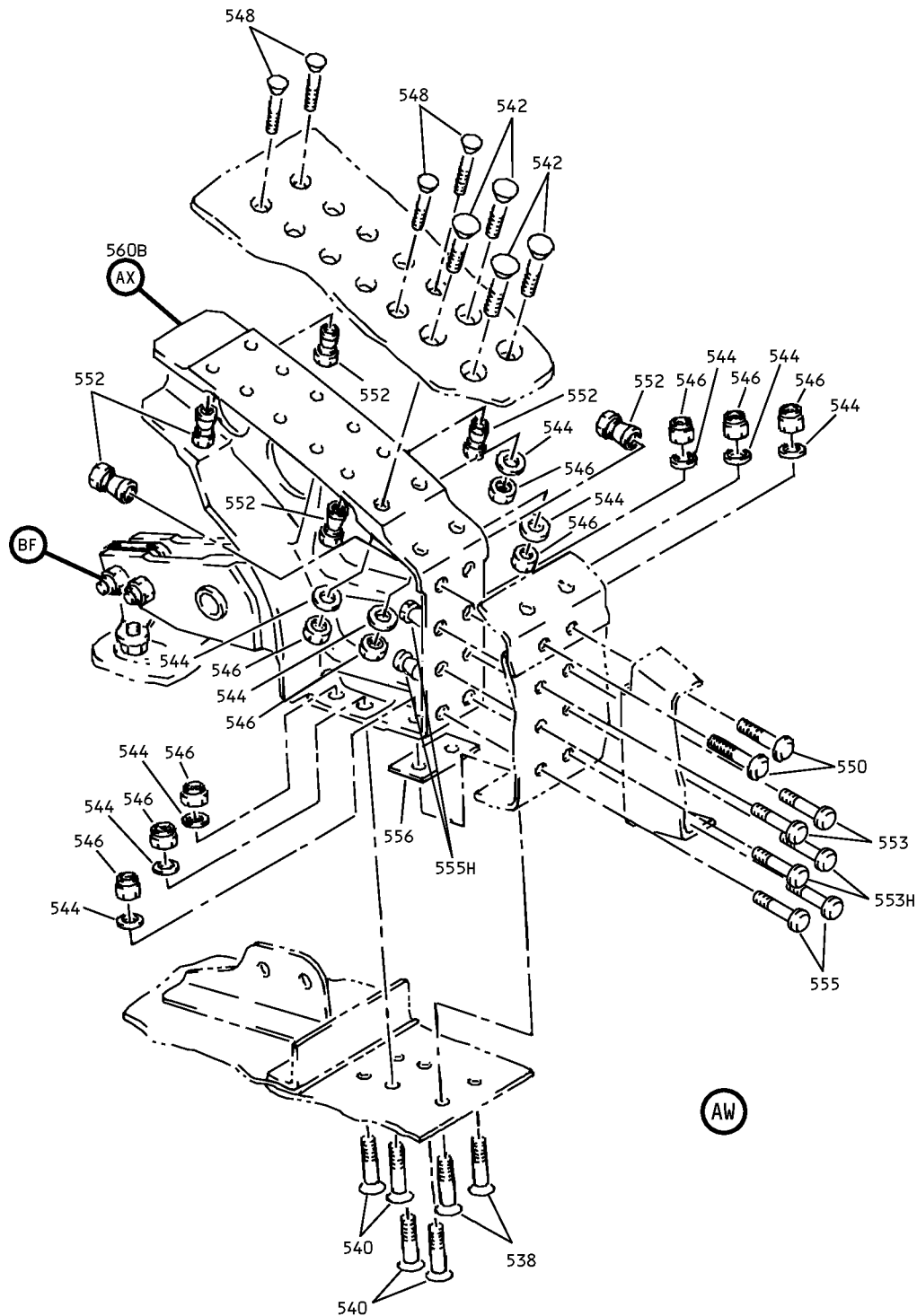
(AU)



Outboard Slat No. 1 and 12 Wing Leading Edge Structure Assembly  
Figure 3 (Sheet 30)

**57-43-41**

ILLUSTRATED PARTS LIST  
01.1 Page 1094G  
Mar 01/04

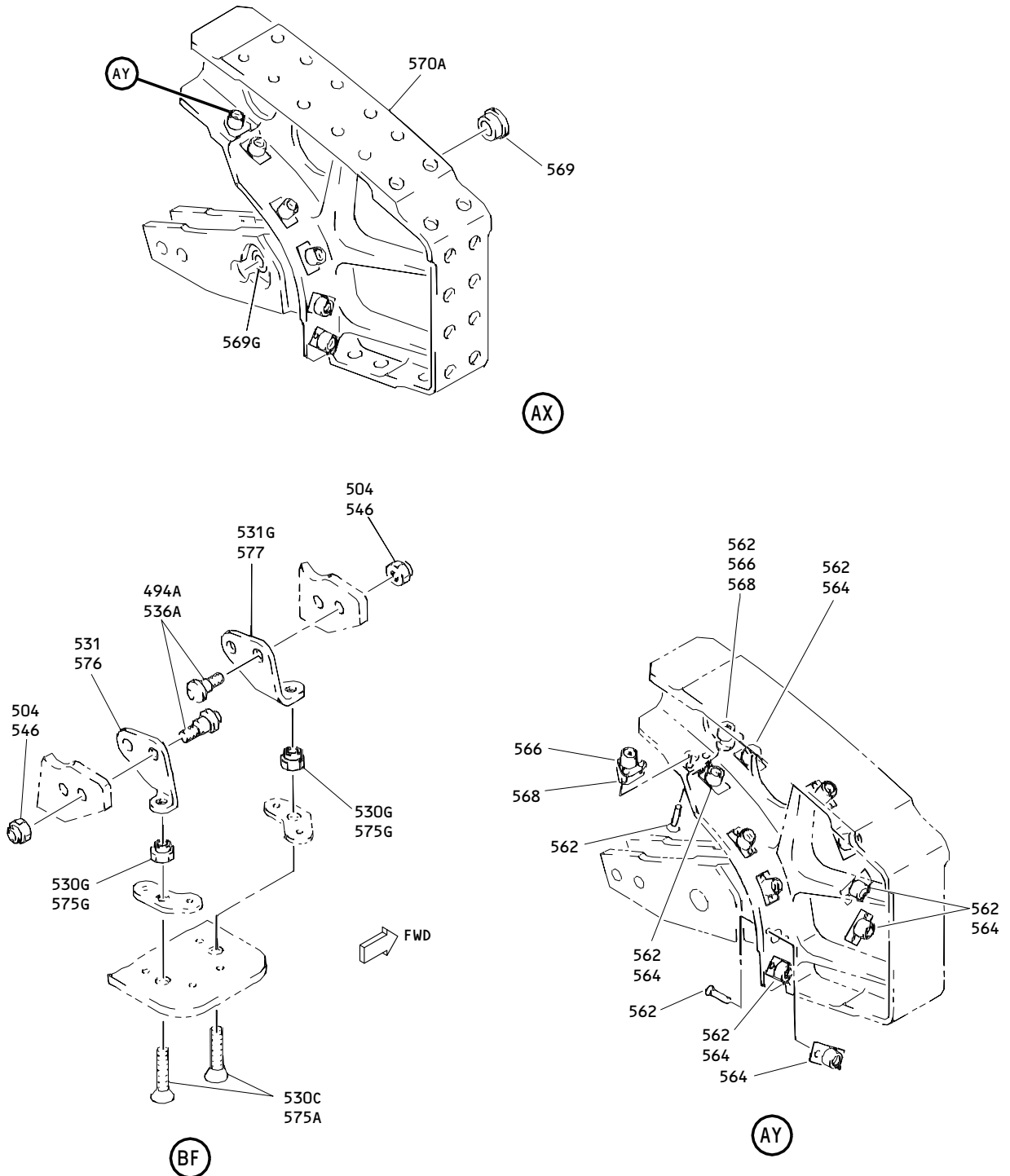


Outboard Slat No. 1 and 12 Wing Leading Edge Structure Assembly  
 Figure 3 (Sheet 31)

**57-43-41**

ILLUSTRATED PARTS LIST  
 01.1 Page 1094H  
 Mar 01/04

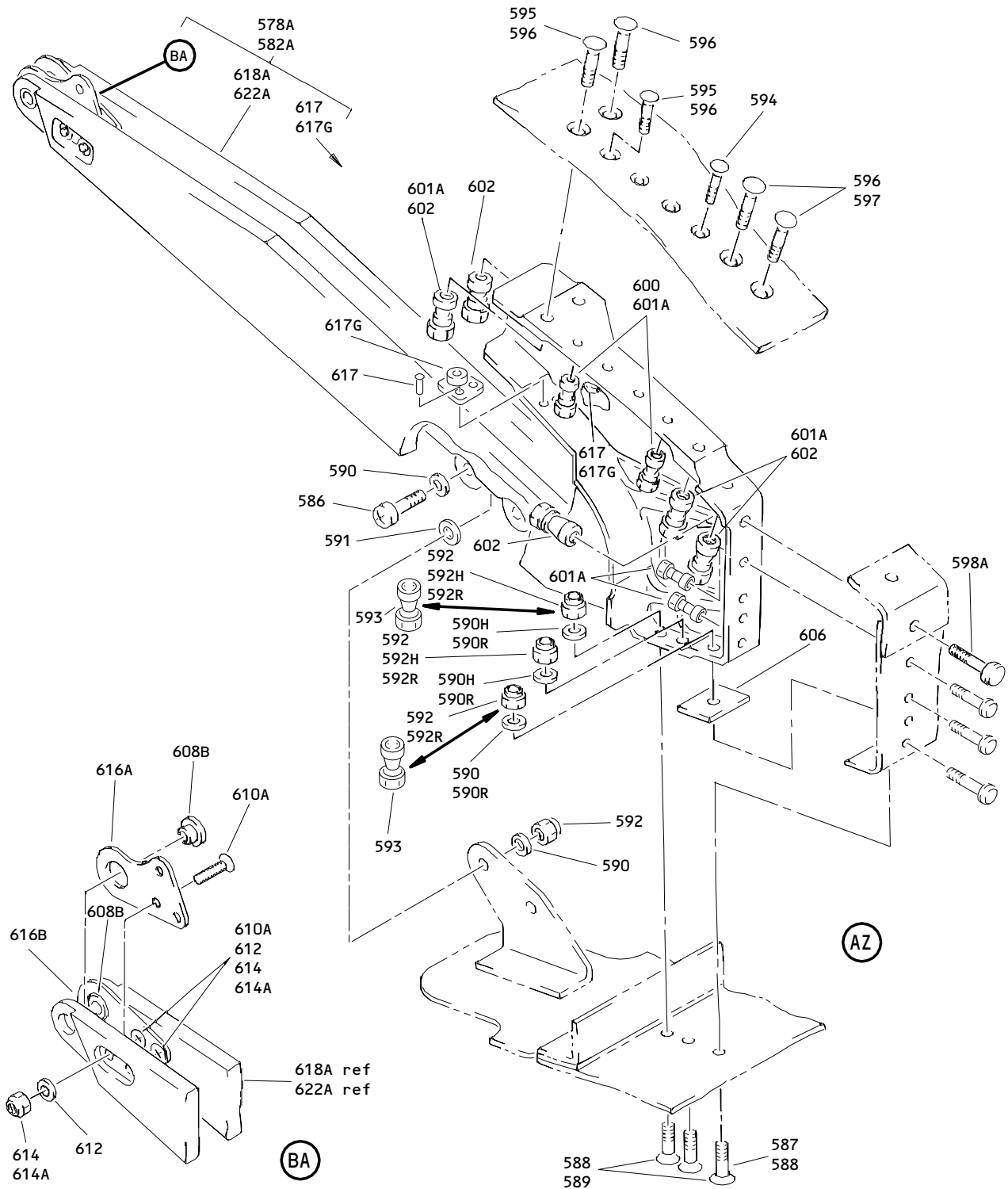
U14838



Outboard Slat No. 1 and 12 Wing Leading Edge Structure Assembly  
 Figure 3 (Sheet 32)

**57-43-41**

ILLUSTRATED PARTS LIST  
 01.1 Page 1094I  
 Mar 01/04



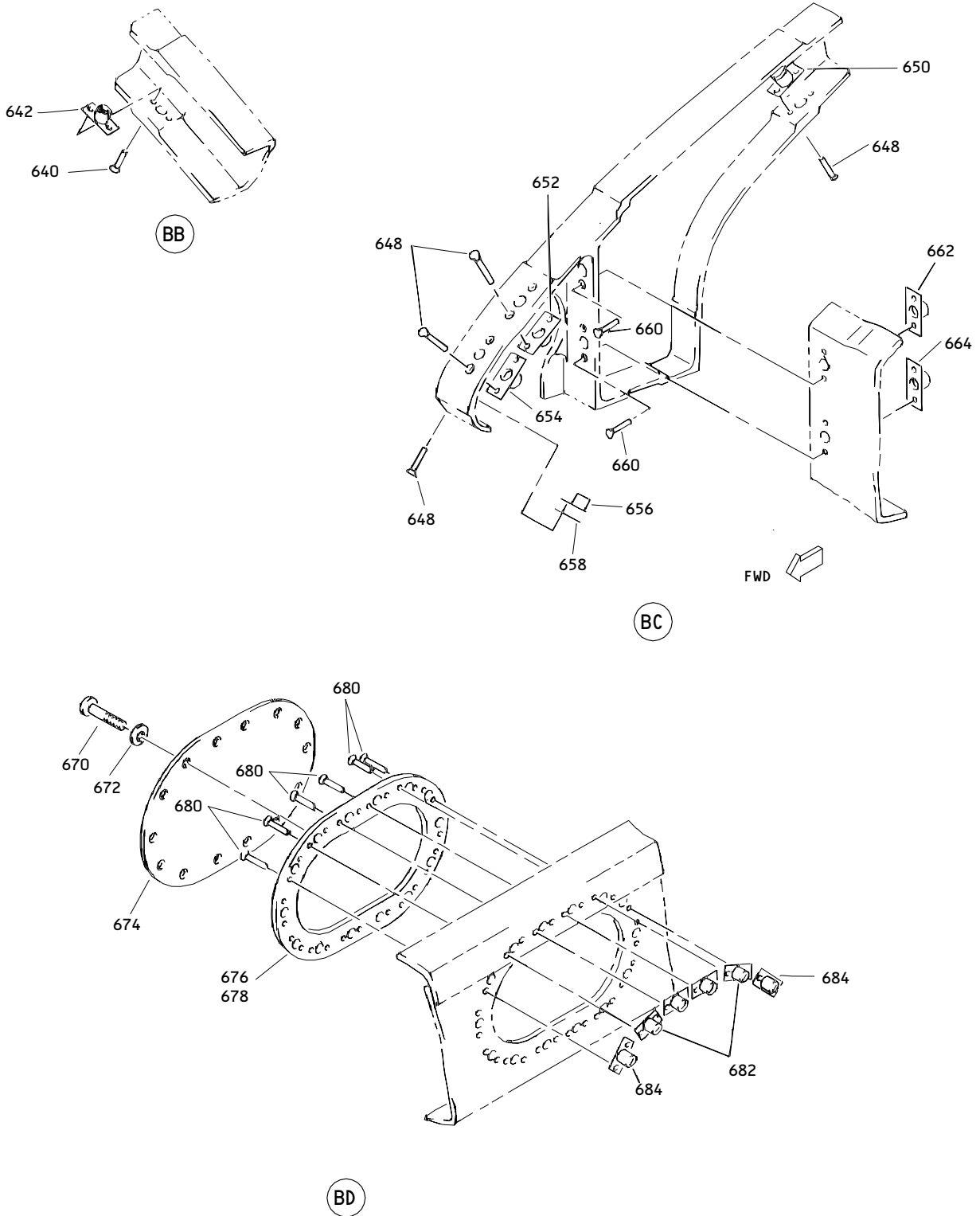
Outboard Slat No. 1 Wing Leading Edge Structure Assembly  
 Figure 3 (Sheet 33)

**57-43-41**

ILLUSTRATED PARTS LIST  
 01.1 Page 1094J  
 Mar 01/04

114T4101  
015T0165  
015T1507  
DASH NUMBERS LIMITED

**BOEING**  
COMPONENT  
MAINTENANCE MANUAL

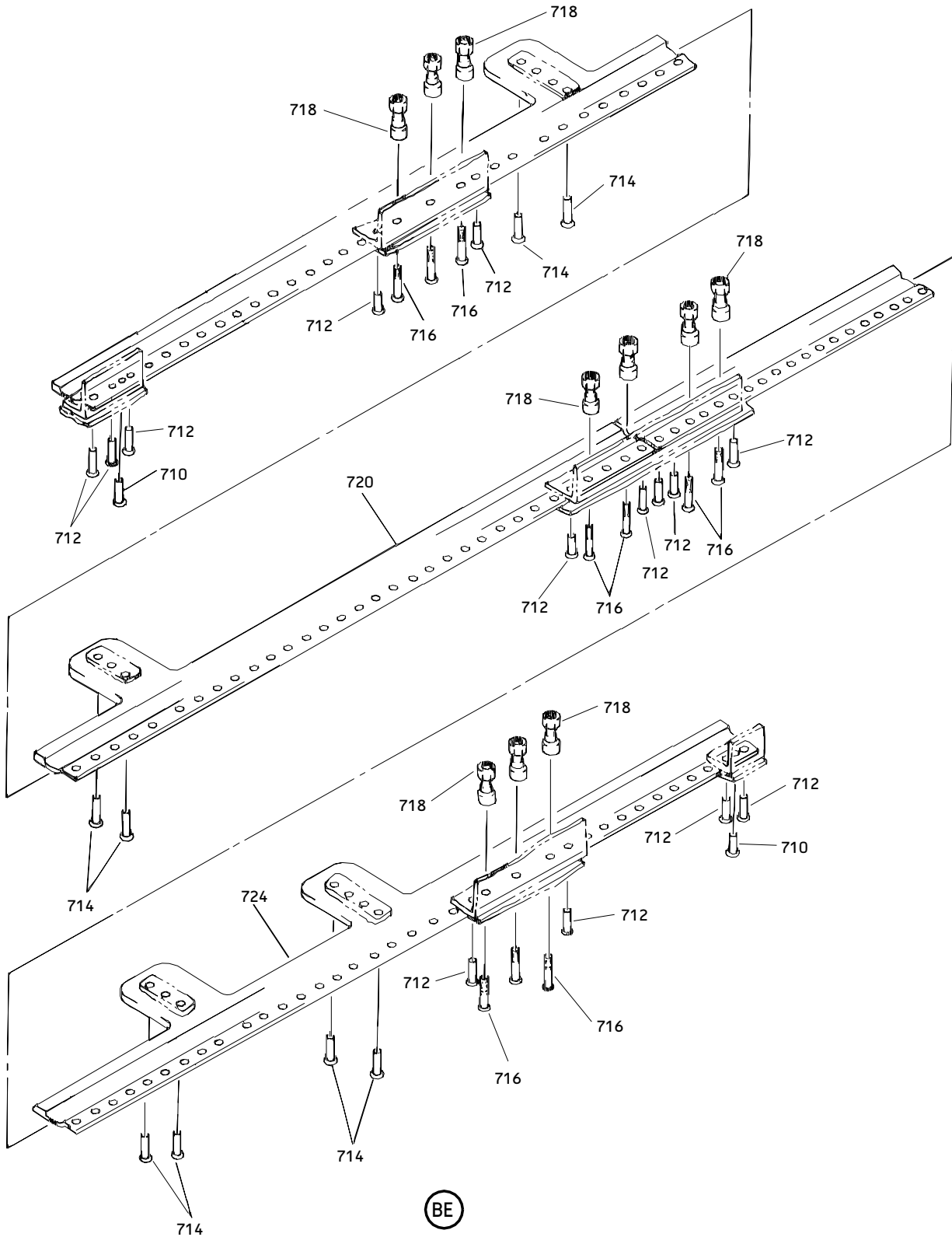


Outboard Slat No. 1 Wing Leading Edge Structure Assembly  
Figure 3 (Sheet 34)

**57-43-41**

ILLUSTRATED PARTS LIST  
01.1 Page 1094K  
Mar 01/04

T73862

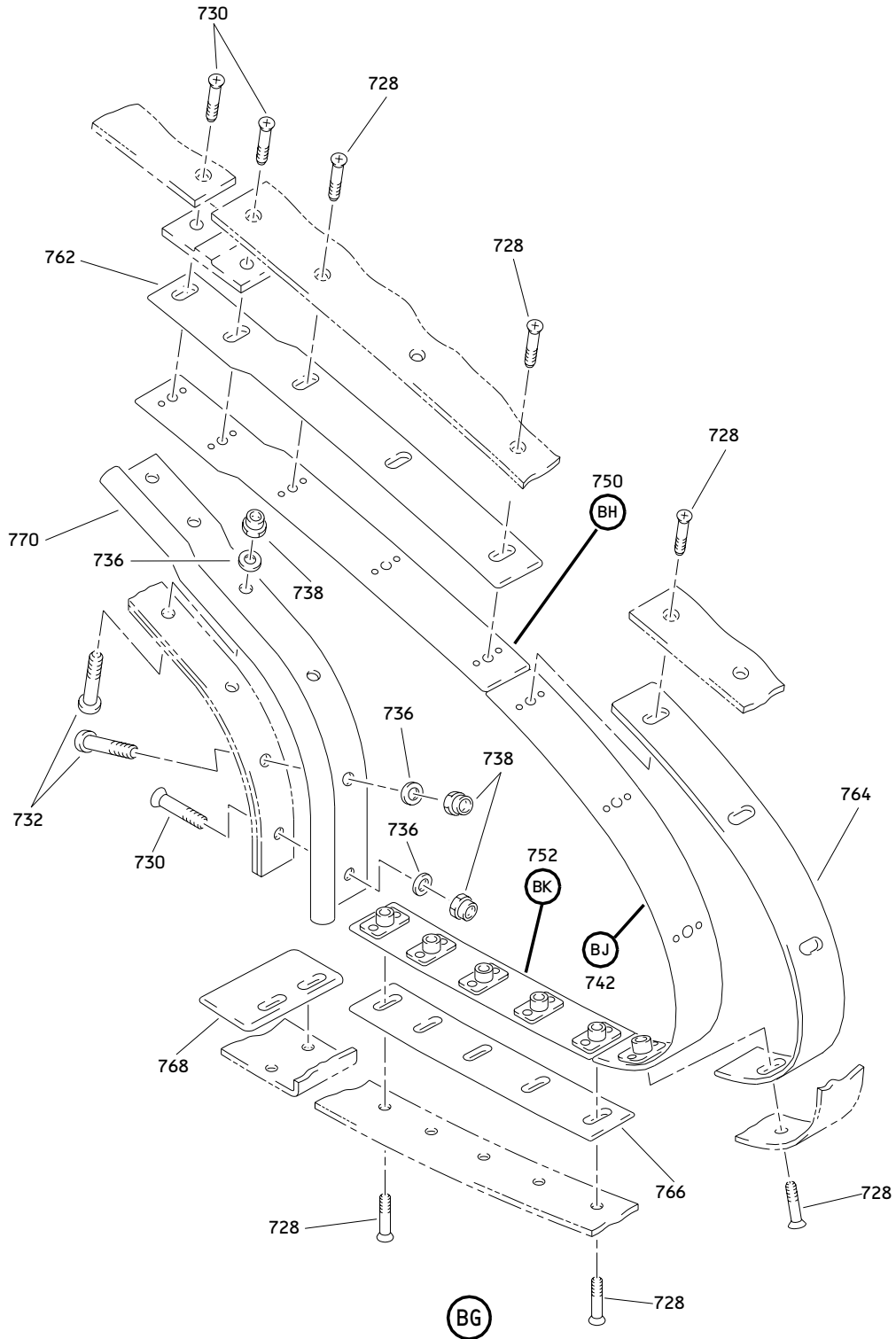


Outboard Slat No.1 and 12 Wing Leading Edge Structure Assembly  
 Figure 3 (Sheet 35)

**57-43-41**

ILLUSTRATED PARTS LIST  
 01.1 Page 1094L  
 Mar 01/04

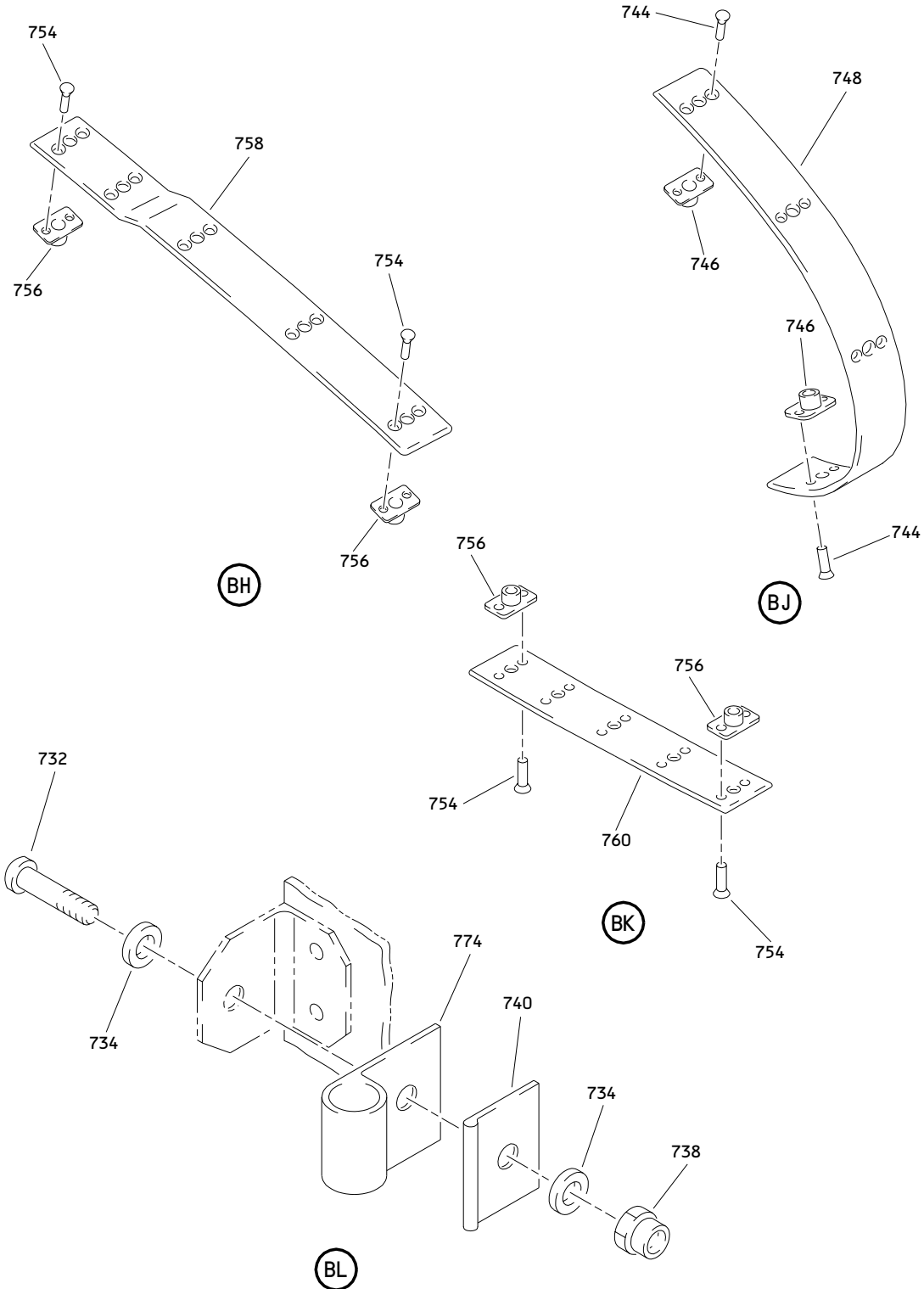




Outboard Slat No. 1 Wing Leading Edge Structure Assembly  
Figure 3 (Sheet 36)

**57-43-41**

ILLUSTRATED PARTS LIST  
01.1 Page 1094M  
Mar 01/04



Outboard Slat No. 1 Wing Leading Edge Structure Assembly  
 Figure 3 (Sheet 37)

**57-43-41**

ILLUSTRATED PARTS LIST  
 01.1 Page 1094N  
 Mar 01/04

114T4101  
 015T0165  
 015T1507  
 DASH NUMBERS LIMITED

 **BOEING**  
 COMPONENT  
 MAINTENANCE MANUAL

FIG. & ITEM	PART NO.	AIRLINE PART NUMBER	NOMENCLATURE 1234567	EFF CODE	QTY PER ASSY
03- -1	114T4101-25SP		STRUCTURE ASSY-OUTBD SLAT NO. 1 WING LE (LH) (PRE SB 767-32-0095) (PRE SB 767-57A0057)	B	RF
-1A	114T4101-27		DELETED		
-1B	114T4101-29		DELETED		
-1C	114T4101-35		STRUCTURE ASSY-OUTBD SLAT NO. 1 AND 12 WING LE (LH) (POST SB 767-32-0107) (PRE SB 767-57A0057)	G	RF
-1D	114T4101-37		DELETED		
-1E	114T4101-41		STRUCTURE ASSY-OUTBD SLAT NO. 1 AND 12 WING LE (VARIABLE) (LH)	V	RF
-1F	015T0165-3		SLAT ASSY-NO. 1 AND 12 WING LE TOP KIT (LH) (POST SB 767-32-0095) (PRE SB 767-57A0057)	X	RF
-1G	114T4101-43		STRUCTURE ASSY-OUTBD SLAT NO. 1 WING LE (LH) (PRE SB 767-57A0057)	Z	RF
-1H	114T4101-45		STRUCTURE ASSY-OUTBD SLAT NO. 1 WING LE (LH) (VARIABLE) (PRE SB 767-57A0057)	L	RF
-1J	114T4101-47		STRUCTURE ASSY-OUTBD SLAT NO. 1 WING LE (LH)	H	RF
-1K	114T4101-49		DELETED		
-1L	015T1507-107		STRUCTURE ASSY-OUTBD SLAT NO. 1 AND 12 WING LE (LH) (POST SB 767-57A0057)	BW	RF
-1M	015T1507-137		STRUCTURE ASSY-OUTBD SLAT NO. 1 AND 12 WING LE (LH) (POST SB 767-57A0057)	BX	RF
-1N	015T1507-121		STRUCTURE ASSY-OUTBD SLAT NO. 1 AND 12 WING LE (LH) (POST SB 767-57A0057)	BY	RF
-1P	015T1507-151		STRUCTURE ASSY-OUTBD SLAT NO. 1 AND 12 WING LE (LH) (POST SB 767-57A0057)	BZ	RF
-1Q	015T1507-125		STRUCTURE ASSY-OUTBD SLAT NO. 1 AND 12 WING LE (LH) (POST SB 767-57A0057)	CA	RF

**57-43-41**

ILLUSTRATED PARTS LIST  
 01.1 Page 10940  
 Mar 01/04

FIG. & ITEM	PART NO.	AIRLINE PART NUMBER	NOMENCLATURE 1234567	EFF CODE	QTY PER ASSY
03- -1R	015T1507-155		STRUCTURE ASSY-OUTBD SLAT NO. 1 AND 12 WING LE (LH) (POST SB 767-57A0057)	CB	RF
-1S	015T1507-161		STRUCTURE ASSY-OUTBD SLAT NO. 1 AND 12 WING LE (LH) (POST SB 767-57A0057)	CC	RF
-1T	015T1507-163		STRUCTURE ASSY-OUTBD SLAT NO. 1 AND 12 WING LE (LH) (POST SB 767-57A0057)	CD	RF
-1U	015T1507-127		STRUCTURE ASSY-OUTBD SLAT NO. 1 AND 12 WING LE (LH) (POST SB 767-57A0057)	CE	RF
-1V	015T1507-157		STRUCTURE ASSY-OUTBD SLAT NO. 1 AND 12 WING LE (LH) (POST SB 767-57A0057)	CF	RF
-1W	015T1507-129		STRUCTURE ASSY-OUTBD SLAT NO. 1 AND 12 WING LE (LH) (POST SB 767-57A0057)	CG	RF
-1X	015T1507-159		STRUCTURE ASSY-OUTBD SLAT NO. 1 AND 12 WING LE (LH) (POST SB 767-57A0057)	CH	RF
-1Y	114T4101-51SP		STRUCTURE ASSY-OUTBD SLAT NO. 1 WING LE (LH)	CW	RF
-1Z	114T4101-53SP		STRUCTURE ASSY-OUTBD SLAT NO. 1 WING LE (LH)	CX	RF
-2	114T4101-26SP		STRUCTURE ASSY-OUTBD SLAT NO. 12 WING LE (RH) (PRE SB 767-32-0095) (PRE SB 767-57A0057)	N	RF
-2A	114T4101-28		DELETED		
-2B	114T4101-30		DELETED		
-2C	114T4101-36		STRUCTURE ASSY-OUTBD SLAT NO. 1 AND 12 WING LE (RH) (POST SB 767-32-0107) (PRE SB 767-57A0057)	J	RF
-2D	114T4101-38		DELETED		
-2E	114T4101-42		STRUCTURE ASSY-OUTBD SLAT NO. 1 AND 12 WING LE (VARIABLE) (RH) (PRE SB 767-57A0057)	W	RF
-2F	015T0165-4		SLAT ASSY-NO. 1 AND 12 WING LE TOP KIT (RH) (POST SB 767-32-0095) (PRE SB 767-57A0057)	Y	RF

# 57-43-41

 ILLUSTRATED PARTS LIST  
 01.1 Page 1094P  
 Mar 01/04

114T4101  
 015T0165  
 015T1507  
 DASH NUMBERS LIMITED

 **BOEING**  
 COMPONENT  
 MAINTENANCE MANUAL

FIG. & ITEM	PART NO.	AIRLINE PART NUMBER	NOMENCLATURE 1234567	EFF CODE	QTY PER ASSY
03- -2G	114T4101-44		STRUCTURE ASSY-OUTBD SLAT NO. 12 WING LE (RH) (PRE SB 767-57A0057)	AA	RF
-2H	114T4101-46		STRUCTURE ASSY-OUTBD SLAT NO. 12 WING LE (RH) (VARIABLE) (PRE SB 767-57A0057)	AB	RF
-2J	114T4101-48		STRUCTURE ASSY-OUTBD SLAT NO. 12 WING LE (RH)	K	RF
-2K	114T4101-50		DELETED		
-2L	015T1507-108		STRUCTURE ASSY-OUTBD SLAT NO. 1 AND 12 WING LE (RH) (POST SB 767-57A0057)	CJ	RF
-2M	015T1507-138		STRUCTURE ASSY-OUTBD SLAT NO. 1 AND 12 WING LE (RH) (POST SB 767-57A0057)	CK	RF
-2N	015T1507-122		STRUCTURE ASSY-OUTBD SLAT NO. 1 AND 12 WING LE (RH) (POST SB 767-57A0057)	CL	RF
-2P	015T1507-152		STRUCTURE ASSY-OUTBD SLAT NO. 1 AND 12 WING LE (RH) (POST SB 767-57A0057)	CM	RF
-2Q	015T1507-126		STRUCTURE ASSY-OUTBD SLAT NO. 1 AND 12 WING LE (RH) (POST SB 767-57A0057)	CN	RF
-2R	015T1507-156		STRUCTURE ASSY-OUTBD SLAT NO. 1 AND 12 WING LE (RH) (POST SB 767-57A0057)	CP	RF
-2S	015T1507-162		STRUCTURE ASSY-OUTBD SLAT NO. 1 AND 12 WING LE (RH) (POST SB 767-57A0057)	CQ	RF
-2T	015T1507-164		STRUCTURE ASSY-OUTBD SLAT NO. 1 AND 12 WING LE (RH) (POST SB 767-57A0057)	CR	RF
-2U	015T1507-128		STRUCTURE ASSY-OUTBD SLAT NO. 1 AND 12 WING LE (RH) (POST SB 767-57A0057)	CS	RF
-2V	015T1507-158		STRUCTURE ASSY-OUTBD SLAT NO. 1 AND 12 WING LE (RH) (POST SB 767-57A0057)	CT	RF
-2W	015T1507-130		STRUCTURE ASSY-OUTBD SLAT NO. 1 AND 12 WING LE (RH) (POST SB 767-57A0057)	CU	RF

**57-43-41**

ILLUSTRATED PARTS LIST  
 01.1 Page 1094Q  
 Mar 01/04

FIG. & ITEM	PART NO.	AIRLINE PART NUMBER	NOMENCLATURE 1234567	EFF CODE	QTY PER ASSY
03- -2X	015T1507-160		STRUCTURE ASSY-OUTBD SLAT NO. 1 AND 12 WING LE (RH) (POST SB 767-57A0057)	CV	RF
-2Y	114T4101-401SP		DELETED		
-2Z	114T4101-52SP		STRUCTURE ASSY-OUTBD SLAT NO. 12 WING LE (RH)	CZ	RF
-3	114T4101-54SP		STRUCTURE ASSY-OUTBD SLAT NO. 12 WING LE (RH)	DA	RF
-3A	114T4101-402SP		DELETED		
-3B	114T4101-57SP		DELETED		
-3C	114T4101-58SP		DELETED		
-3D	114T4101-401G		DELETED		
-3E	114T4101-402G		STRUCTURE ASSY-OUTBD SLAT NO. 12 WING LE (RH)	DB	RF
-3F	114T4101-57G		DELETED		
-3G	114T4101-58G		STRUCTURE ASSY-OUTBD SLAT NO. 12 WING LE (RH)	AD	RF
-3H	114T4101-409G		DELETED		
-3J	114T4101-410G		STRUCTURE ASSY-OUTBD SLAT NO. 12 WING LE (RH)	DD	RF
-3K	114T4101-59G		DELETED		
-3L	114T4101-60G		STRUCTURE ASSY-OUTBD SLAT NO. 12 WING LE (RH)	DF	RF
-3M	114T4101-62G		STRUCTURE ASSY-OUTBD SLAT NO. 12 WING LE (RH)	DH	RF
-3N	114T4101-64G		STRUCTURE ASSY-OUTBD SLAT NO. 12 WING LE (RH)	DK	RF
R -3P	114T4101-412G		STRUCTURE ASSY-OUTBD SLAT NO. 12 WING LE (RH)	DM	RF

# 57-43-41

 ILLUSTRATED PARTS LIST  
 01.1 Page 1094R  
 Mar 01/04

114T4101  
 015T0165  
 015T1507  
 DASH NUMBERS LIMITED

 **BOEING**  
 COMPONENT  
 MAINTENANCE MANUAL

FIG. & ITEM	PART NO.	AIRLINE PART NUMBER	NOMENCLATURE 1234567	EFF CODE	QTY PER ASSY
03-4	BACB30NT3K7		DELETED		
-4A	114T4101-401G		STRUCTURE ASSY-OUTBD SLAT NO. 1 WING LE (LH)	CY	RF
-4B	114T4101-57G		STRUCTURE ASSY-OUTBD SLAT NO. 1 WING LE (LH)	AC	RF
-4C	114T4101-409G		STRUCTURE ASSY-OUTBD SLAT NO. 1 WING LE (LH)	DC	RF
-4D	114T4101-59G		STRUCTURE ASSY-OUTBD SLAT NO. 1 WING LE (LH)	DE	RF
-4E	114T4101-61G		STRUCTURE ASSY-OUTBD SLAT NO. 1 WING LE (LH)	DG	RF
4F	BACB30NT3K7		DELETED		
-4G	114T4101-63G		STRUCTURE ASSY-OUTBD SLAT NO. 1 WING LE (LH)	DJ	RF
R -4H	114T4101-411G		STRUCTURE ASSY-OUTBD SLAT NO. 1 WING LE (LH)	DL	RF
4L	BACB30NN3K8		DELETED		
4R	BACB30NN3K9		DELETED		
5	AN960PD10L		DELETED		
-5A	NAS1149D0332J		DELETED		
5L	AN960PD10L		DELETED		
6	114T4233-1		DELETED		
-8	114T4233-2		DELETED		
8A	BACB30NT3K7		.BOLT	B,G-L ,N, V-AD, BW-DM	43
9	BACB30NT3K7		.BOLT	B,G,J ,L,N, V-AB, BW-CV ,DL DML	2

**57-43-41**

ILLUSTRATED PARTS LIST  
 01.1 Page 1094S  
 Mar 01/04

FIG. & ITEM	PART NO.	AIRLINE PART NUMBER	NOMENCLATURE 1234567	EFF CODE	QTY PER ASSY
03-10	114T4233-3		DELETED		
10A	BACB30NN3K8		.BOLT	H,K,A C,AD, CW-DM	1
11	BACB30NN3K9		.BOLT	H,K,A C,AD, CW-DM	1
-12	114T4233-4		DELETED		
12A	AN96OPD10L		.WASHER	B,G,J L,N, V-AB, BW-CV	43
-12B	NAS1149D0332J		.WASHER	H,K,A C,AD, CW-DM	43
13	AN96OPD10L		.WASHER	B,G,J L,N, V-AB, BW-CV	2
14	114T4233-5		DELETED		
14A	256T2931-1		.GUIDE-CABLE	H,AC, CW-CY	1
15	114T4233-33		.RETAINER-BULB SEAL	DC,DE DG,D J,DL	1
-16	114T4233-6		DELETED		
-16A	256T2931-2		.GUIDE-CABLE	K,AD, CZ-DB	1
-16N	114T4233-33		.RETAINER-BULB SEAL	DD,DF DH,D K,DM	1
17	114T4233-32		.RETAINER	B,G-L N, V-AD, BW-DM	43

# 57-43-41

 ILLUSTRATED PARTS LIST  
 01.1 Page 1094T  
 Mar 01/04



FIG. & ITEM	PART NO.	AIRLINE PART NUMBER	NOMENCLATURE 1234567	EFF CODE	QTY PER ASSY
03-17L	114T4233-32		.RETAINER	B,G,J ,L,N, V-AB, BW-CV	2
18	114T4232-1		.SEAL-BULB (MFD FROM EXTR RUBBER F25.01 10-60754-319 42.10 IN.)	B,G,H ,L,V, X,Z,A C,B W-CH CW,CX ,DE,D G,DJ	1
-18A	114T4232-401		.SEAL-BULB	CY,DC ,DL	1
-20	114T4232-2		.SEAL-BULB (MFD FROM EXTR RUBBER F25.01 10-60754-319 42.10 IN.)	J,K,N ,W,Y, AA,AB ,AD,C J-CV CZ,DA ,DF,D H,DK	1
-20A	114T4232-402		.SEAL-BULB	DB,DD ,DM	1
22	114T4232-3		.SEAL-BULB (MFD FROM EXTR RUBBER F25.01 10-60754-319 46.90 IN.)	B,G,H ,L,V, X,Z,A C,B W-CH CW-CY ,DC,D E,DG, DJ,DL	1
-24	114T4232-4		.SEAL-BULB (MFD FROM EXTR RUBBER F25.01 10-60754-319 46.90 IN.)	J,K,N ,W,Y, AA,AB ,AD,C J-CV CZ-DB ,DD,D F,DH, DK,DM	1

**57-43-41**

FIG. & ITEM	PART NO.	AIRLINE PART NUMBER	NOMENCLATURE 1234567	EFF CODE	QTY PER ASSY
03-26	114T4232-5		.SEAL-BULB (MFD FROM EXTR RUBBER F25.01 10-60754-319 48.50 IN.)	B,G,H ,L,V, X,Z,A C,B W-CH CW-CY ,DC,D E,DG, DJ,DL	1
-28	114T4232-6		.SEAL-BULB (MFD FROM EXTR RUBBER F25.01 10-60754-319 48.50 IN.)	J,K,N ,W,Y, AA,AB ,AD,C J-CV CZ-DB ,DD,D F,DH, DK,DM	1
30	BACR15BA3AD		.RIVET- (SIZE DETERMINE ON INST)	B,G-L ,N, V-AD, BW-DM	90
32	BACN10JQ32		.NUTPLATE	B,G,J ,L,N, V-AB, BW-CV	43
-32A	MF19058-3-2BAC		.NUTPLATE- (V15653) (SPEC BACN10YF32)	H,K,A C,AD, CW-DM	43
34	NS103225-02		.NUTPLATE- (V80539) (SPEC BACN10KH3) (OPT RMF9209M3 (V72962)) (OPT RMF9209M3 (V72962))	B,G-L ,N, V-AD, BW-DM	2

# 57-43-41

 ILLUSTRATED PARTS LIST  
 01.1 Page 1094V  
 Mar 01/04

114T4101  
 015T0165  
 015T1507  
 DASH NUMBERS LIMITED

 **BOEING**  
 COMPONENT  
 MAINTENANCE MANUAL

FIG. & ITEM	PART NO.	AIRLINE PART NUMBER	NOMENCLATURE 1234567	EFF CODE	QTY PER ASSY
03-36	114T4226-1		.SEAL-WEDGE	B,G-L ,N,V, W,Z-A D,B W-DM	1
38	114T4226-2		.SEAL-WEDGE	B,G-L ,N,V, W,Z-A D,B W-DM	1
40	114T4242-1		.RETAINER	B,G,H ,L,V, X,Z,A C,B W-CH CW-CY ,DC,D E,DG, DJ,DL	1
-42	114T4242-2		.RETAINER	J,K,N ,W,Y, AA,AB ,AD,C J-CV CZ-DB ,DD,D F,DH, DK,DM	1
44	114T4242-3		.RETAINER	B,G,H ,L,V, X,Z,A C,B W-CH CW-CY ,DC,D E,DG, DJ,DL	1

**57-43-41**

ILLUSTRATED PARTS LIST  
 01.1 Page 1094W  
 Mar 01/04

FIG. & ITEM	PART NO.	AIRLINE PART NUMBER	NOMENCLATURE 1234567	EFF CODE	QTY PER ASSY
03- -46	114T4242-4		.RETAINER	J,K,N ,W,Y, AA,AB ,AD,C J-CV CZ-DB ,DD,D F,DH, DK,DM	1
48	114T4224-1		.SEAL-MOLDED BULB	B,G-L ,N, V-AD, BW-DM	1
50	114T4224-2		.SEAL-MOLDED BULB	B,G,J ,L,N, V-AB, BW-CV	1
-50A	114T4224-7		.SEAL-MOLDED BULB	H,K,A C,AD, CW-DM	1
52	114T4236-1		.SEAL-SPONGE (MFD FROM SH SPONGE RUBBER BMS1-23 0.42 IN. 1.00 IN. 1.50 IN.)	B,G,J ,N, V-Y,B W-CD, CJ-CR	1
-52A	114T4236-7		.SEAL-SPONGE (MFD FROM SH SPONGE RUBBER BMS1-23 0.42 IN 1.00 IN 1.20 IN)	H,K,L ,Z-AD ,CE-C H,C S-DM	1

# 57-43-41

 ILLUSTRATED PARTS LIST  
 01.1 Page 1094X  
 Mar 01/04

114T4101  
 015T0165  
 015T1507  
 DASH NUMBERS LIMITED

 **BOEING**  
 COMPONENT  
 MAINTENANCE MANUAL

FIG. & ITEM	PART NO.	AIRLINE PART NUMBER	NOMENCLATURE 1234567	EFF CODE	QTY PER ASSY
03-54	114T4236-2		.SEAL-SPONGE (MFD FROM SH SPONGE RUBBER BMS1-23 0.50 IN. 1.00 IN. 2.00 IN.)	B,G,J ,N, V-Y,B W-CD, CJ-CR	1
-54A	114T4236-8		.SEAL-SPONGE (MFD FROM SH SPONGE RUBBER BMS1-23 0.50 IN 1.00 IN 1.70 IN)	H,K,L ,Z-AD ,CE-C H,C S-DM	1
56	BACR15CE5KE		.RIVET- (SIZE DETERMINE ON INST)	B,G-L ,N, V-AD, BW-DM	15
58	114T4225-1		.RETAINER	B,G-L ,N, V-AD, BW-DM	1
60	114T4225-2		.RETAINER	B,G-L ,N, V-AD, BW-DM	1
62 62A	BACB30N3K6 BACB30NN3K6		DELETED .BOLT	B,G-L ,N, V-AD, BW-DM	2
64	AN960PD10L		.WASHER	B,G,J ,L,N, V-AB, BW-CV	2
-64A	NAS1149D0332J		.WASHER	H,K,A C,AD, CW-DM	2

**57-43-41**

ILLUSTRATED PARTS LIST  
 01.1 Page 1094Y  
 Mar 01/04

FIG. & ITEM	PART NO.	AIRLINE PART NUMBER	NOMENCLATURE 1234567	EFF CODE	QTY PER ASSY
03-66	H10-3BAC		.NUT- (V15653) (SPEC BACN10JC3) (OPT NS202101-02 (V80539)) (OPT RMLH9075-3W (V72962)) (OPT T6S1032J (V71087)) (OPT VN303A02 (V92215)) (OPT 96-02 (V80539)) (OPT BRH10A3 (V52828))	B,G,J ,L,N, V-AB, BW-CV	2
-66A	BRH10C3D		.NUT- (V52828) (SPEC BACN10JC3CD) (OPT T6C1032JCD (V11815)) (OPT NS202486-02 (V80539)) (OPT 102LH9075-3W (V72962)) (OPT H51650-3BAC (V15653))	H,K,A C,AD, CW-DM	2
68	114T4237-5		.SEAL	B,G,H ,L,V, X,Z,A C,B W-CH CW-CY ,DC,D E,DG, DJ,DL	1
-70	114T4237-6		.SEAL	J,K,N ,W,Y, AA,AB ,AD,C J-CV CZ-DB ,DD,D F,DH, DK,DM	1

# 57-43-41

 ILLUSTRATED PARTS LIST  
 01.1 Page 1094Z  
 Mar 01/04

114T4101  
 015T0165  
 015T1507  
 DASH NUMBERS LIMITED

 **BOEING**  
 COMPONENT  
 MAINTENANCE MANUAL

FIG. & ITEM	PART NO.	AIRLINE PART NUMBER	NOMENCLATURE 1234567	EFF CODE	QTY PER ASSY
03-72	114T4235-8		.RETAINER	B,G-L ,N, V-AD, BW-DM	1
74	BACB30NN3K3		.BOLT	B,G-L ,N, V-AD, BW-DM	16
76	BACB30NT3K3		.BOLT	B,G-L ,N, V-AD, BW-DM	8
78	BACR15BA3AD		.RIVET- (SIZE DETERMINE ON INST)	B,G-L ,N, V-AD, BW-DM	48
80	BRFM20A3		.NUTPLATE- (V52828) (SPEC BACN10JN3) (OPT MF1000-3BAC (V15653)) (OPT NS103218-02 (V80539)) (OPT RMF9201M3 (V72962)) (OPT VN252A02 (V92215)) (OPT MF1000-3BAC (V15653)) (OPT MF53049-3 (V15653))	B,G-L ,N, V-AD, BW-DM	15

**57-43-41**

ILLUSTRATED PARTS LIST  
 01.1 Page 1095  
 Mar 01/04

FIG. & ITEM	PART NO.	AIRLINE PART NUMBER	NOMENCLATURE 1234567	EFF CODE	QTY PER ASSY
03-82	NS103225-02		.NUTPLATE- (V80539) (SPEC BACN10KH3) (OPT RMF9209M3 (V72962)) (OPT RMF9209M3 (V72962))	B,G-L ,N, V-AD, BW-DM	6
84	BRFM20C3M		.NUTPLATE- (V52828) (SPEC BACN10JN3CM) (OPT MF1001-3BAC (V15653)) (OPT NS103218SE02 (V80539)) (OPT VN252D02 (V92215)) (OPT 109F9201M3 (V72962)) (OPT T8125C3C (V11815)) (OPT 109F9201M3 (V72962)) (OPT MF53050-3DL (V15653))	B,G-L ,N, V-AD, BW-DM	3
86	NAS1195DD3KH		.SHIM	B,G-L ,N, V-AD, BW-DM	2
88	NAS1195DD3XH		.SHIM	B,G-L ,N, V-AD, BW-DM	2

**57-43-41**

ILLUSTRATED PARTS LIST  
01.1 Page 1096  
Mar 01/04



FIG. & ITEM	PART NO.	AIRLINE PART NUMBER	NOMENCLATURE 1234567	EFF CODE	QTY PER ASSY
03-90	BACS40R08C37F		.SHIM	B,G,J L,N, V-AB, BW-CV	1
-90A	BACS40R008C037F		.SHIM	H,K,A C,AD, CW-DM	1
92	114T4120-1		.FAIRING	B,G,H L,V, X,Z,B W-CH, CX	1
-92A	114T4120-7		.FAIRING	AC,CW DC,D E,DG, DJ,DL	1
-94	114T4120-2		.FAIRING	J,K,N W,Y, AA,AB CJ-C V,DA	1
-94A	114T4120-8		.FAIRING	AD,CZ DB,D D,DF, DH,DK DM	1
96	BACB30NU3K4		.BOLT	B,G,J L,N, V-AB, BW-CV	10
-96A	BACB30VF3K4		.BOLT	H,K,A C,AD, CW-DM	10
98	BACB30NU3K5		.BOLT	B,G,J L,N, V-AB, BW-CV	1
-98A	BACB30VF3K5		.BOLT	H,K,A C,AD, CW-DM	1

57-43-41

FIG. & ITEM	PART NO.	AIRLINE PART NUMBER	NOMENCLATURE 1234567	EFF CODE	QTY PER ASSY
03-100	BACB30NT3K5		.BOLT	B,G-L ,N, V-AD, BW-DM	1
102	BACB30NT3K3		.BOLT	B,G-L ,N, V-AD, BW-DM	5
104	BACR15BA5AD		.RIVET- (SIZE DETERMINE ON INST)	B,G-L ,N, V-AD, BW-DM	2
106	BACR15FT6AD		.RIVET- (SIZE DETERMINE ON INST)	B,G-L ,N, V-AD, BW-DM	1
108	BACR15FT5AD		.RIVET- (SIZE DETERMINE ON INST)	B,G-L ,N, V-AD, BW-DM	17
110	BACF3F009E156NN		.FILLER	B,G-L ,N, V-AD, BW-DM	1
112	114T4261-1		.PANEL-COVE	B,G,H ,L,V, X,Z,A C,B W-CH CW,CX DE,DG DJ	1
-112A	114T4261-401		.PANEL-COVE	CY,DC ,DL	1
-114	114T4261-2		.PANEL-COVE	J,K,N ,W,Y, AA,AB ,AD,C J-CV CZ,DA ,DF,D H,DK	1

# 57-43-41

 ILLUSTRATED PARTS LIST  
 01.1 Page 1096B  
 Mar 01/04

114T4101  
 015T0165  
 015T1507  
 DASH NUMBERS LIMITED

 **BOEING**  
 COMPONENT  
 MAINTENANCE MANUAL

FIG. & ITEM	PART NO.	AIRLINE PART NUMBER	NOMENCLATURE 1234567	EFF CODE	QTY PER ASSY
03- -114A	114T4261-402		.PANEL-COVE	DB,DD ,DM	1
116	BACR15BA3AD		.RIVET- (SIZE DETERMINE ON INST)	B,G-L ,N, V-AD, BW-DM	32
118	BACN10JQ32		.NUTPLATE	B,G,J ,L,N, V-AB, BW-CV	12
-118A	MF19058-3-2BAC		.NUTPLATE- (V15653) (SPEC BACN10YF32)	H,K,A C,AD, CW-DM	12
120	NS103225-02		.NUTPLATE- (V80539) (SPEC BACN10KH3) (OPT RMF9209M3 (V72962)) (OPT RMF9209M3 (V72962))	B,G-L ,N, V-AD, BW-DM	4
121	NAS1195DD3KH		.SHIM	B,G-L ,N, V-AD, BW-DM	2
122	BACB30NN3K6		.BOLT	B,G-L ,N, V-AD, BW-DM	11
124 124A	BACB30NN3K7 BACB30NT3K7		DELETED .BOLT	B,G-L ,N, V-AD, BW-DM	45

57-43-41

ILLUSTRATED PARTS LIST  
 01.1 Page 1096C  
 Mar 01/04

FIG. & ITEM	PART NO.	AIRLINE PART NUMBER	NOMENCLATURE 1234567	EFF CODE	QTY PER ASSY
03-					
124G	BACB30NN3K7		DELETED		
124L	BACB30NM3K10		DELETED		
124Q	BACB30NN3K9		DELETED		
126	114T4261-3		DELETED		
126A	114T4261-25		.PANEL-COVE	B,G,H ,L,V, X,Z,A C,B W-CH CW-CY ,DC,D E,DG, DJ,DL	1
-128	114T4261-4		DELETED		
-128A	114T4261-26		.PANEL-COVE	J,K,N ,W,Y, AA,AB ,AD,C J-CV CZ-DB ,DD,D F,DH, DK,DM	1
130	BACR15BA3AD		.RIVET- (SIZE DETERMINE ON INST)	B,G-L ,N, V-AD, BW-DM	60
132	BRFM22A3-3		.NUTPLATE- (V52828) (SPEC BACN10JQ33) (OPT MF19058-3-3BAC (V15653))	B,G,J ,L,N, V-AB, BW-CV	1

# 57-43-41

FIG. & ITEM	PART NO.	AIRLINE PART NUMBER	NOMENCLATURE 1234567	EFF CODE	QTY PER ASSY
03- -132A	MF19058-3-3BAC		.NUTPLATE- (V15653) (SPEC BACN10YF33)	H,K,A C,AD, CW-DM	1
134	BRFM22A4-3		.NUTPLATE- (V52828) (SPEC BACN10JQ34) (OPT MF19058-3-4BAC (V15653))	B,G,J ,L,N, V-AB, BW-CV	8
-134A	MF19058-3-4BAC		.NUTPLATE- (V15653) (SPEC BACN10YF34)	H,K,A C,AD, CW-DM	8
136	BRFM22A5-3		.NUTPLATE- (V52828) (SPEC BACN10JQ35) (OPT MF19058-3-5BAC (V15653))	B,G,J ,L,N, V-AB, BW-CV	17
-136A	MF19058-3-5BAC		.NUTPLATE- (V15653) (SPEC BACN10YF35)	H,K,A C,AD, CW-DM	17
138	NS103225-02		.NUTPLATE- (V80539) (SPEC BACN10KH3) (OPT RMF9209M3 (V72962)) (OPT RMF9209M3 (V72962))	B,G-L ,N, V-AD, BW-DM	4
140	NAS1195DD3KH		.SHIM	B,G-L ,N, V-AD, BW-DM	2
141	114T4110-1		.STIFFENER	B,G-L ,N, V-AD, BW-DM	1

57-43-41

FIG. & ITEM	PART NO.	AIRLINE PART NUMBER	NOMENCLATURE 1234567	EFF CODE	QTY PER ASSY
03-142	BACB30NU3K5		.BOLT	B,G,J ,L,N, V,W, Z-AB, BW-CB CE-CP ,CS-C V	9
-142A	BACB30VF3K5		.BOLT	H,K,A C,AD, CW-DM	9
143	BACB30NU3K5		.BOLT	X,Y,C C,CD, CQ,CR	12
144	BACB30NT3K3		.BOLT	B,G-L ,N, V-AD, BW-DM	2
146	BACB30NT3K4		DELETED		
148	BACB30NT3K5		.BOLT	B,G-L ,N, V-AD, BW-DM	2
150	BACB30NT3K6		.BOLT	B,G-L ,N, V-AD, BW-DM	2
152	AN960PD10		.WASHER	B,G,J ,L,N, V-AB, BW-CV	2

# 57-43-41

 ILLUSTRATED PARTS LIST  
 01.1 Page 1096F  
 Mar 01/04

114T4101  
 015T0165  
 015T1507  
 DASH NUMBERS LIMITED

 **BOEING**  
 COMPONENT  
 MAINTENANCE MANUAL

FIG. & ITEM	PART NO.	AIRLINE PART NUMBER	NOMENCLATURE 1234567	EFF CODE	QTY PER ASSY
03- -152A	NAS1149D0363J		.WASHER	H,K,A C,AD, CW-DM	2
154	H10-3BAC		.NUT- (V15653) (SPEC BACN10JC3) (OPT NS202101-02 (V80539)) (OPT RMLH9075-3W (V72962)) (OPT T6S1032J (V71087)) (OPT VN303A02 (V92215)) (OPT 96-02 (V80539)) (OPT BRH10A3 (V52828))	B,G,J L,N, V-AB, BW-CV	2
-154A	BRH10C3D		.NUT- (V52828) (SPEC BACN10JC3CD) (OPT T6C1032JCD (V11815)) (OPT NS202486-02 (V80539)) (OPT 102LH9075-3W (V72962)) (OPT H51650-3BAC (V15653))	H,K,A C,AD, CW-DM	2

**57-43-41**

ILLUSTRATED PARTS LIST  
 01.1 Page 1096G  
 Mar 01/04

FIG. & ITEM	PART NO.	AIRLINE PART NUMBER	NOMENCLATURE 1234567	EFF CODE	QTY PER ASSY
03-155	BACR15FT7AD7		.RIVET	X,Y,C C,CD, CQ,CR	10
156 156A	114T4101-13 BACR15FT7AD8		DELETED .RIVET	X,Y,C C,CD, CQ,CR	2
157	BACR15FT6AD6		.RIVET	X,Y,C C,CD, CQ,CR	8
158	BACR15FT6AD		.RIVET- (SIZE DETERMINE ON INST)	B,G-L ,N,V, W,Z-A D,B W-CB CE-CP ,CS-D M	27
158N	BACR15FT6AD		.RIVET- (SIZE DETERMINE ON INST)	H,K,L ,V,W, BW-CB ,CE-C P CS-CV	1
158P	BACR15CE6AD		.RIVET- (SIZE DETERMINE ON INST)	B,G,J ,N,Z, AA,AC ,AD,C W-DM	1

# 57-43-41

 ILLUSTRATED PARTS LIST  
 01.1 Page 1096H  
 Mar 01/04



114T4101  
 015T0165  
 015T1507  
 DASH NUMBERS LIMITED

 **BOEING**  
 COMPONENT  
 MAINTENANCE MANUAL

FIG. & ITEM	PART NO.	AIRLINE PART NUMBER	NOMENCLATURE 1234567	EFF CODE	QTY PER ASSY
03-159	BACR15FT6AD7		.RIVET	X,Y,C C,CD, CQ,CR	8
160	114T4261-7		DELETED		
160A	114T4261-21		.PANEL-COVE	B,G,H ,L,V, X,Z,A C,B W-CH CW-CY ,DC,D E,DG, DJ,DL	1
-162	114T4261-8		DELETED		
-162A	114T4261-22		.PANEL-COVE	J,K,N ,W,Y, AA,AB ,AD,C J-CV CZ-DB ,DD,D F,DH, DK,DM	1
163	BACR15BA3AD		.RIVET- (SIZE DETERMINE ON INST)	X,Y,C C,CD, CQ,CR	22
164	BACR15BA3AD		.RIVET- (SIZE DETERMINE ON INST)	B,G-L ,N,V, W,Z-A D,B W-CB CE-CP ,CS-D M	26
165	BACR15BA3AD7		.RIVET	X,Y,C C,CD, CQ,CR	4
166	BRFM22A3-3		.NUTPLATE- (V52828) (SPEC BACN10JQ33) (OPT MF19058-3-3BAC (V15653))	B,G,J ,L,N, V-AB, BW-CV	5

**57-43-41**

ILLUSTRATED PARTS LIST  
 01.1 Page 1096I  
 Mar 01/04

FIG. & ITEM	PART NO.	AIRLINE PART NUMBER	NOMENCLATURE 1234567	EFF CODE	QTY PER ASSY
03- -166A	MF19058-3-3BAC		.NUTPLATE- (V15653) (SPEC BACN10YF33)	H,K,A C,AD, CW-DM	5
168	BACN10JQ32		.NUTPLATE	B,G,J ,L,N, V-AB, BW-CV	2
-168A	MF19058-3-2BAC		.NUTPLATE- (V15653) (SPEC BACN10YF32)	H,K,A C,AD, CW-DM	2
170	NS103225-02		.NUTPLATE- (V80539) (SPEC BACN10KH3) (OPT RMF9209M3 (V72962)) (OPT RMF9209M3 (V72962))	B,G-L ,N, V-AD, BW-DM	6
171	114T4110-3		.STIFFENER	B,G-L ,N, V-AD, BW-DM	1
172	BACB30NT3K7		.BOLT	B,G-L ,N, V-AD, BW-DM	15
173	BACB30NT3K11		.BOLT	H,K,A C,AD, CW-DD ,DL,D M	3

**57-43-41**

ILLUSTRATED PARTS LIST  
01.1 Page 1096J  
Mar 01/04

114T4101  
 015T0165  
 015T1507  
 DASH NUMBERS LIMITED

 **BOEING**  
 COMPONENT  
 MAINTENANCE MANUAL

FIG. & ITEM	PART NO.	AIRLINE PART NUMBER	NOMENCLATURE 1234567	EFF CODE	QTY PER ASSY
03- -173A	BACB30NT3K7		.BOLT	B,G,J ,L,N, V-AB, BW-CV	3
174	BACB30NT3K6		.BOLT	B,G-L ,N, V-AD, BW-DM	5
176	BACF3F009E084NN		.FILLER	B,G-L ,N, V-AD, BW-DM	1
177	9000910-1		.SWITCH ASSY- (V96774)	H,CX	1
-177L	9000910-2		.SWITCH ASSY- (V96774)	K,DA	1
178	114T4261-7		.PANEL-COVE	B,G,H ,L,V, X,Z,A C,B W-CH CW-CY ,DC,D E,DG, DJ,DL	1
-180	114T4261-8		.PANEL-COVE	J,K,N ,W,Y, AA,AB ,AD,C J-CV CZ-DB ,DD,D F,DH, DK,DM	1

**57-43-41**

ILLUSTRATED PARTS LIST  
 01.1 Page 1096K  
 Mar 01/04

FIG. & ITEM	PART NO.	AIRLINE PART NUMBER	NOMENCLATURE 1234567	EFF CODE	QTY PER ASSY
03-182	BACR15BA3AD		.RIVET- (SIZE DETERMINE ON INST)	B,G-L ,N, V-AD, BW-DM	46
184	BRFM22A3-3		.NUTPLATE- (V52828) (SPEC BACN10JQ33) (OPT MF19058-3-3BAC (V15653))	B,G,J ,L,N, V-AB, BW-CV	1
-184A	MF19058-3-3BAC		.NUTPLATE- (V15653) (SPEC BACN10YF33)	H,K,A C,AD, CW-DM	1
186	BRFM22A4-3		.NUTPLATE- (V52828) (SPEC BACN10JQ34) (OPT MF19058-3-4BAC (V15653))	B,G,J ,L,N, V-AB, BW-CV	4
-186A	MF19058-3-4BAC		.NUTPLATE- (V15653) (SPEC BACN10YF34)	H,K,A C,AD, CW-DM	4
188	BRFM22A5-3		.NUTPLATE- (V52828) (SPEC BACN10JQ35) (OPT MF19058-3-5BAC (V15653))	B,G,J ,L,N, V-AB, BW-CV	2
-188A	MF19058-3-5BAC		.NUTPLATE- (V15653) (SPEC BACN10YF35)	H,K,A C,AD, CW-DM	2
190	BACN10JQ36		.NUTPLATE	B,G,J ,L,N, V-AB, BW-CV	16
-190A	MF19058-3-6BAC		.NUTPLATE- (V15653) (SPEC BACN10YF36)	H,K,A C,AD, CW-DM	16
191	114T4110-5		.STIFFENER	B,G-L ,N, V-AD, BW-DM	1

# 57-43-41

 ILLUSTRATED PARTS LIST  
 01.1 Page 1096L  
 Mar 01/04

FIG. & ITEM	PART NO.	AIRLINE PART NUMBER	NOMENCLATURE 1234567	EFF CODE	QTY PER ASSY
03-192	BACB30NT3K5		.BOLT	B,G-L ,N, V-AD, BW-DM	4
194	114T4302-1		DELETED		
194A	114T4302-4		.FITTING-ALIGN.	B,G-L ,N, V-AD, BW-DM	1
196	BACB30NU3K5		.BOLT	B,G,J ,L,N, V-AB, BW-CV	22
-196A	BACB30VF3K5		.BOLT	H,K,A C,AD, CW-DM	22
198	BACB30NN3K6		.BOLT	B,G-L ,N, V-AD, BW-DM	2
200	BACB30NT3K3		.BOLT	B,G-L ,N, V-AD, BW-DM	2
202	BACB30NT3K5		.BOLT	B,G-L ,N, V-AD, BW-DM	2
204	BACR15FT5AD		.RIVET- (SIZE DETERMINE ON INST)	B,G-L ,N, V-AD, BW-DM	46
206	BACF3F009E300NN		.FILLER	B,G-L ,N, V-AD, BW-DM	1
208	114T4261-9		.PANEL-COVE	B,G,H ,L,V, X,Z,A C,B W-CH CW-CY ,DC,D E,DG, DJ,DL	1

**57-43-41**

FIG. & ITEM	PART NO.	AIRLINE PART NUMBER	NOMENCLATURE 1234567	EFF CODE	QTY PER ASSY
03- -210	114T4261-10		.PANEL-COVE	J,K,N ,W,Y, AA,AB ,AD,C J-CV CZ-DB ,DD,D F,DH, DK,DM	1
212	BACR15BA3AD		.RIVET- (SIZE DETERMINE ON INST)	B,G-L ,N, V-AD, BW-DM	52
214	BACN10JQ32		.NUTPLATE	B,G,J ,L,N, V-AB, BW-CV	2
-214A	MF19058-3-2BAC		.NUTPLATE- (V15653) (SPEC BACN10YF32)	H,K,A C,AD, CW-DM	2
216	BRFM22A3-3		.NUTPLATE- (V52828) (SPEC BACN10JQ33) (OPT MF19058-3-3BAC (V15653))	B,G,J ,L,N, V-AB, BW-CV	20
-216A	MF19058-3-3BAC		.NUTPLATE- (V15653) (SPEC BACN10YF33)	H,K,A C,AD, CW-DM	20
218	NS103225-02		.NUTPLATE- (V80539) (SPEC BACN10KH3) (OPT RMF9209M3 (V72962)) (OPT RMF9209M3 (V72962))	B,G-L ,N, V-AD, BW-DM	4
220	NAS1195DD3KH		.SHIM	B,G-L ,N, V-AD, BW-DM	2
221	114T4110-7		.STIFFENER	B,G-L ,N, V-AD, BW-DM	1

# 57-43-41

 ILLUSTRATED PARTS LIST  
 01.1 Page 1096N  
 Mar 01/04

114T4101  
 015T0165  
 015T1507  
 DASH NUMBERS LIMITED

 **BOEING**  
 COMPONENT  
 MAINTENANCE MANUAL

FIG. & ITEM	PART NO.	AIRLINE PART NUMBER	NOMENCLATURE 1234567	EFF CODE	QTY PER ASSY
03-222	BACB30NT3K7		.BOLT	B,G-L ,N, V-AD, BW-DM	16
223	BACB30NT3K8		.BOLT	H,K,A C,AD, CW-DK	2
-223A	BACB30NT3K7		.BOLT	B,G,J ,L,N, V-AB, BW-CV ,DL DML	2
224	BACB30NN3K6		.BOLT	B,G-L ,N, V-AD, BW-DM	5
226	BACF3F009E084NN		.FILLER	B,G-L ,N, V-AD, BW-DM	1
228	114T4261-11		.PANEL-COVE	B,G,H ,L,V, X,Z,A C,B W-CH CW-CY ,DC,D E,DG, DJ,DL	1

**57-43-41**

ILLUSTRATED PARTS LIST  
 01.1 Page 10960  
 Mar 01/04

FIG. & ITEM	PART NO.	AIRLINE PART NUMBER	NOMENCLATURE 1234567	EFF CODE	QTY PER ASSY
03- -230	114T4261-12		.PANEL-COVE	J,K,N W,Y AA,AB AD,C J-CV CZ-DB DD,D F,DH DK,DM	1
232	BACR15BA3AD		.RIVET- (SIZE DETERMINE ON INST)	B,G-L N V-AD BW-DM	46
234	BRFM22A3-3		.NUTPLATE- (V52828) (SPEC BACN10JQ33) (OPT MF19058-3-3BAC (V15653))	B,G,J L,N V-AB BW-CV	1
-234A	MF19058-3-3BAC		.NUTPLATE- (V15653) (SPEC BACN10YF33)	H,K,A C,AD CW-DM	1
236	BRFM22A4-3		.NUTPLATE- (V52828) (SPEC BACN10JQ34) (OPT MF19058-3-4BAC (V15653))	B,G,J L,N V-AB BW-CV	4
-236A	MF19058-3-4BAC		.NUTPLATE- (V15653) (SPEC BACN10YF34)	H,K,A C,AD CW-DM	4
238	BRFM22A5-3		.NUTPLATE- (V52828) (SPEC BACN10JQ35) (OPT MF19058-3-5BAC (V15653))	B,G,J L,N V-AB BW-CV	2

# 57-43-41

 ILLUSTRATED PARTS LIST  
 01.1 Page 1096P  
 Mar 01/04



114T4101  
 015T0165  
 015T1507  
 DASH NUMBERS LIMITED

 **BOEING**  
 COMPONENT  
 MAINTENANCE MANUAL

FIG. & ITEM	PART NO.	AIRLINE PART NUMBER	NOMENCLATURE 1234567	EFF CODE	QTY PER ASSY
03- -238A	MF19058-3-5BAC		.NUTPLATE- (V15653) (SPEC BACN10YF35)	H,K,A C,AD, CW-DM	2
240	BACN10JQ36		.NUTPLATE	B,G,J ,L,N, V-AB, BW-CV	16
-240A	MF19058-3-6BAC		.NUTPLATE- (V15653) (SPEC BACN10YF36)	H,K,A C,AD, CW-DM	16
241	114T4110-9		.STIFFENER	B,G-L ,N, V-AD, BW-DM	1
242	BACB30NU3K5		.BOLT	B,G,J ,L,N, V,W, Z-AB, BW-CB CE-CP ,CS-C V	9
-242A	BACB30VF3K5		.BOLT	H,K,A C,AD, CW-DM	9
243	BACB30NU3K5		.BOLT	X,Y,C C,CD, CQ,CR	12
244	BACB30NT3K3		.BOLT	B,G-L ,N, V-AD, BW-DM	2
246	BACB30NT3K6		.BOLT	B,G,J ,L,N, V-AB, BW-CV	2
-246A	BACB30NT3K7		.BOLT	H,K,A C,AD, CW-DM	2

**57-43-41**

ILLUSTRATED PARTS LIST  
 01.1 Page 1096Q  
 Mar 01/04

FIG. & ITEM	PART NO.	AIRLINE PART NUMBER	NOMENCLATURE 1234567	EFF CODE	QTY PER ASSY
03-248	BACB30NT3K5		.BOLT	B,G-L ,N, V-AD, BW-DM	2
250	AN960PD10		.WASHER	B,G,J ,L,N, V-AB, BW-CV	2
-250A	NAS1149D0363J		.WASHER	H,K,A C,AD, CW-DM	2
252	H10-3BAC		.NUT- (V15653) (SPEC BACN10JC3) (OPT NS202101-02 (V80539)) (OPT RMLH9075-3W (V72962)) (OPT T6S1032J (V71087)) (OPT VN303A02 (V92215)) (OPT 96-02 (V80539)) (OPT BRH10A3 (V52828))	B,G,J ,L,N, V-AB, BW-CV	2
-252A	BRH10C3D		.NUT- (V52828) (SPEC BACN10JC3CD) (OPT T6C1032JCD (V11815)) (OPT NS202486-02 (V80539)) (OPT 102LH9075-3W (V72962)) (OPT H51650-3BAC (V15653))	H,K,A C,AD, CW-DM	2
253	BACR15FT7AD7		.RIVET	X,Y,C C,CD, CQ,CR	10
253H	BACR15FT7AD8		.RIVET	X,Y,C C,CD, CQ,CR	2

# 57-43-41

 ILLUSTRATED PARTS LIST  
 01.1 Page 1096R  
 Mar 01/04

114T4101  
 015T0165  
 015T1507  
 DASH NUMBERS LIMITED

 **BOEING**  
 COMPONENT  
 MAINTENANCE MANUAL

FIG. & ITEM	PART NO.	AIRLINE PART NUMBER	NOMENCLATURE 1234567	EFF CODE	QTY PER ASSY
03-254	BACR15FT6AD		.RIVET- (SIZE DETERMINE ON INST)	B,G-L ,N,V, W,Z-A D,B W-CB CE-CP ,CS-D M	28
255	BACR15FT6AD6		.RIVET	X,Y,C C,CD, CQ,CR	8
255H	BACR15FT6AD7		.RIVET	X,Y,C C,CD, CQ,CR	8
255P	256T2933-1		DELETED		
255Q	256T2933-5		.GUIDE ASSY-TURN	H,CX	1
-255V	256T2933-2		DELETED		
-255W	256T2933-6		.GUIDE ASSY-TURN	K,DA	1
256	114T4261-23		.PANEL-COVE	B,G,H ,L,V, X,Z,A C,B W-CH CW-CY ,DC,D E,DG, DJ,DL	1
-258	114T4261-24		.PANEL-COVE	J,K,N ,W,Y, AA,AB ,AD,C J-CV CZ-DB ,DD,D F,DH, DK,DM	1

**57-43-41**

ILLUSTRATED PARTS LIST  
 01.1 Page 1096S  
 Mar 01/04

FIG. & ITEM	PART NO.	AIRLINE PART NUMBER	NOMENCLATURE 1234567	EFF CODE	QTY PER ASSY
03-260	BACR15BA3AD		.RIVET- (SIZE DETERMINE ON INST)	B,G-L ,N,V, W,Z-A D,B W-CB CE-CP ,CS-D M	26
261	BACR15BA3AD		.RIVET- (SIZE DETERMINE ON INST)	X,Y,C C,CD, CQ,CR	22
261H	BACR15BA3AD7		.RIVET	X,Y,C C,CD, CQ,CR	4
262	BRFM22A3-3		.NUTPLATE- (V52828) (SPEC BACN10JQ33) (OPT MF19058-3-3BAC (V15653))	B,G,J ,L,N, V-AB, BW-CV	5
-262A	MF19058-3-3BAC		.NUTPLATE- (V15653) (SPEC BACN10YF33)	H,K,A C,AD, CW-DM	5
264	BACN10JQ32		.NUTPLATE	B,G,J ,L,N, V-AB, BW-CV	2
-264A	MF19058-3-2BAC		.NUTPLATE- (V15653) (SPEC BACN10YF32)	H,K,A C,AD, CW-DM	2
266	NS103225-02		.NUTPLATE- (V80539) (SPEC BACN10KH3) (OPT RMF9209M3 (V72962)) (OPT RMF9209M3 (V72962))	B,G-L ,N, V-AD, BW-DM	6

# 57-43-41

 ILLUSTRATED PARTS LIST  
 01.1 Page 1096T  
 Mar 01/04

114T4101  
 015T0165  
 015T1507  
 DASH NUMBERS LIMITED

 **BOEING**  
 COMPONENT  
 MAINTENANCE MANUAL

FIG. & ITEM	PART NO.	AIRLINE PART NUMBER	NOMENCLATURE 1234567	EFF CODE	QTY PER ASSY
03-267	114T4110-11		.STIFFENER	B,G-L ,N, V-AD, BW-DM	1
268	BACB30NN3K6		.BOLT	B,G-L ,N, V-AD, BW-DM	14
270	BACB30NT3K7		.BOLT	B,G-L ,N, V-AD, BW-DM	49
270G	BACB30NN3K7		DELETED		
270L	BACB30NM3K10		DELETED		
270Q	BACB30NN3K9		DELETED		
272	114T4261-15		DELETED		
272A	114T4261-27		.PANEL-COVE	B,G,H ,L,V, X,Z,A C,B W-CH CW-CY ,DC,D E,DG, DJ,DL	1
-274	114T4261-16		DELETED		
-274A	114T4261-28		.PANEL-COVE	J,K,N ,W,Y, AA,AB ,AD,C J-CV CZ-DB DD,DF DH,DK DM	1

**57-43-41**

ILLUSTRATED PARTS LIST  
 01.1 Page 1096U  
 Mar 01/04

FIG. & ITEM	PART NO.	AIRLINE PART NUMBER	NOMENCLATURE 1234567	EFF CODE	QTY PER ASSY
03-276	BACR15BA3AD		.RIVET- (SIZE DETERMINE ON INST)	B,G-L ,N, V-AD, BW-DM	74
278	BRFM22A3-3		.NUTPLATE- (V52828) (SPEC BACN10JQ33) (OPT MF19058-3-3BAC (V15653))	B,G,J ,L,N, V-AB, BW-CV	1
-278A	MF19058-3-3BAC		.NUTPLATE- (V15653) (SPEC BACN10YF33)	H,K,A C,AD, CW-DM	1
280	BRFM22A4-3		.NUTPLATE- (V52828) (SPEC BACN10JQ34) (OPT MF19058-3-4BAC (V15653))	B,G,J ,L,N, V-AB, BW-CV	11
-280A	MF19058-3-4BAC		.NUTPLATE- (V15653) (SPEC BACN10YF34)	H,K,A C,AD, CW-DM	11
282	BRFM22A5-3		.NUTPLATE- (V52828) (SPEC BACN10JQ35) (OPT MF19058-3-5BAC (V15653))	B,G,J ,L,N, V-AB, BW-CV	21
-282A	MF19058-3-5BAC		.NUTPLATE- (V15653) (SPEC BACN10YF35)	H,K,A C,AD, CW-DM	21
284	NS103225-02		.NUTPLATE- (V80539) (SPEC BACN10KH3) (OPT RMF9209M3 (V72962)) (OPT RMF9209M3 (V72962))	B,G-L ,N, V-AD, BW-DM	4
286	NAS1195DD3KH		.SHIM	B,G-L ,N, V-AD, BW-DM	2
287	114T4110-13		.STIFFENER	B,G-L ,N, V-AD, BW-DM	1

# 57-43-41

 ILLUSTRATED PARTS LIST  
 01.1 Page 1096V  
 Mar 01/04

FIG. & ITEM	PART NO.	AIRLINE PART NUMBER	NOMENCLATURE 1234567	EFF CODE	QTY PER ASSY
03-288	BACB30NU3K4		.BOLT	B,G,J ,L,N, V-AB, BW-CV	13
-288A	BACB30VF3K4		.BOLT	H,K,A C,AD, CW-DM	13
290	BACB30NU3K5		.BOLT	B,G,J ,L,N, V-AB, BW-CV	1
-290A	BACB30VF3K5		.BOLT	H,K,A C,AD, CW-DM	1
292	BACB30NT3K3		.BOLT	B,G-L ,N, V-AD, BW-DM	1
294	BACR15FT5AD		.RIVET- (SIZE DETERMINE ON INST)	B,G-L ,N, V-AD, BW-DM	29
296	BACR15FT6AD		.RIVET- (SIZE DETERMINE ON INST)	B,G-L ,N, V-AD, BW-DM	1
298	BACF3F009E179NN		.FILLER	B,G-L ,N, V-AD, BW-DM	1
300	BACB30NT3K5		.BOLT	B,G-L ,N, V-AD, BW-DM	1
302	114T4261-17		.PANEL-COVE	B,G,H ,L,V, X,Z,A C,B W-CH CW-CY ,DC,D E,DG, DJ,DL	1

**57-43-41**

FIG. & ITEM	PART NO.	AIRLINE PART NUMBER	NOMENCLATURE 1234567	EFF CODE	QTY PER ASSY
03-304	114T4261-18		.PANEL-COVE	J,K,N ,W,Y, AA,AB ,AD,C J-CV CZ-DB DD,DF DH,DK DM	1
306	BACR15BA3AD		.RIVET- (SIZE DETERMINE ON INST)	B,G-L ,N, V-AD, BW-DM	30
308	BACN10JQ32		.NUTPLATE	B,G,J ,L,N, V-AB, BW-CV	14
-308A	MF19058-3-2BAC		.NUTPLATE- (V15653) (SPEC BACN10YF32)	H,K,A C,AD, CW-DM	14
310	NS103225-02		.NUTPLATE- (V80539) (SPEC BACN10KH3) (OPT RMF9209M3 (V72962)) (OPT RMF9209M3 (V72962))	B,G-L ,N, V-AD, BW-DM	1
311	114T4110-15		.STIFFENER	B,G-L ,N, V-AD, BW-DM	1
312	BACB30NW6K		.BOLT- (SIZE DETERMINE ON INST)	B,G-L ,N, V-AD, BW-DM	37

**57-43-41**

ILLUSTRATED PARTS LIST  
01.1 Page 1096X  
Mar 01/04



FIG. & ITEM	PART NO.	AIRLINE PART NUMBER	NOMENCLATURE 1234567	EFF CODE	QTY PER ASSY
03-314	AN960PD10		.WASHER	B,G,J L,N, V-AB, BW-CV	16
-314A	NAS1149D0363J		.WASHER	H,K,A C,AD, CW-DM	16
316	HL79-6		.COLLAR- (V5M902) (SPEC BACC30M6) (OPT HL79-6 (V73197)) (OPT HL79-6 (V92215)) (OPT 66014-6 (V56878)) (OPT HL79-6 (V56878))	B,G-L N, V-AD, BW-DM	37
318	BACR15CE5KE		.RIVET- (SIZE DETERMINE ON INST)	B,G-L N, V-AD, BW-DM	115
319	114T4101-23		.WASHER	B,G-L N, V-AD, BW-DH DL,D M	37
320	114T4175-1		.SHIELD-THRM BARRIER	B,X,B W,BX, CC,CD	1
-322	114T4175-2		.SHIELD-THRM BARRIER	N,Y,C J,CK, CQ,CR	1

**57-43-41**

FIG. & ITEM	PART NO.	AIRLINE PART NUMBER	NOMENCLATURE 1234567	EFF CODE	QTY PER ASSY
03-324	114T4175-3		.SHIELD-THRM BARRIER	B,N,X ,Y,BW ,BX,C C,CD, CJ,CK CQ,CR	2
326	114T4175-4		.SHIELD-THRM BARRIER	B,N,X ,Y,BW ,BX,C C,CD, CJ,CK CQ,CR	2
328	114T4175-5		.SHIELD-THRM BARRIER	B,N,X ,Y,BW ,BX,C C,CD, CJ,CK CQ,CR	1
330	114T4175-6		.SHIELD-THRM BARRIER	B,N,X ,Y,BW ,BX,C C,CD, CJ,CK CQ,CR	1
332	114T4175-7		.SHIELD-THRM BARRIER	B,X,B W,BX, CC,CD	1
-334	114T4175-8		.SHIELD-THRM BARRIER	N,Y,C J,CK, CQ,CR	1

# 57-43-41

 ILLUSTRATED PARTS LIST  
 01.1 Page 1096Z  
 Mar 01/04

114T4101  
 015T0165  
 015T1507  
 DASH NUMBERS LIMITED

 **BOEING**  
 COMPONENT  
 MAINTENANCE MANUAL

FIG. & ITEM	PART NO.	AIRLINE PART NUMBER	NOMENCLATURE 1234567	EFF CODE	QTY PER ASSY
03-336	114T4174-1		. SEAL-RUBBER	B,N,X ,Y,BW ,BX,C C,CD, CJ,CK CQ,CR	1
338	114T4174-3		. SEAL-RUBBER	B,N,X ,Y,BW ,BX,C C,CD, CJ,CK CQ,CR	6
340	114T4174-4		. SEAL-RUBBER	B,N,X ,Y,BW ,BX,C C,CD, CJ,CK CQ,CR	3
341	114T4174-5		. SEAL-RUBBER	B,N,X ,Y,BW ,BX,C C,CD, CJ,CK CQ,CR	2
342	114T4174-7		. SEAL-RUBBER	B,N,X ,Y,BW ,BX,C C,CD, CJ,CK CQ,CR	2
344	114T4174-9		. SEAL-RUBBER	B,N,X ,Y,BW ,BX,C C,CD, CJ,CK CQ,CR	1
346	114T4174-12		. SEAL-RUBBER	B,N,X ,Y,BW ,BX,C C,CD, CJ,CK CQ,CR	1

**57-43-41**

ILLUSTRATED PARTS LIST  
 01.1 Page 1097  
 Mar 01/04

FIG. & ITEM	PART NO.	AIRLINE PART NUMBER	NOMENCLATURE 1234567	EFF CODE	QTY PER ASSY
03-348	114T4173-2		.SEAL-SPONGE	B,N,X ,Y,BW ,BX,C C,CD, CJ,CK CQ,CR	1
350	114T4173-3		.SEAL-SPONGE	B,N,X ,Y,BW ,BX,C C,CD, CJ,CK CQ,CR	15
352	114T4111-7		.WEDGE ASSY-TE (-7 IS INTERCHANGEABLE WITH -19 OR -21 ONLY IF CUSTOMER COMPLIES WITH A/D 93-14-19) (OPT ITEM 352A) (PRE SB 767-57A0039) (PRE SB 767-57A0057)	B,X	1
-352A	114T4111-9		.WEDGE ASSY-TE (OPT ITEM 352) (PRE SB 767-57A0039) (PRE SB 767-57A0057)	B,X	1
-352B	114T4111-11		.WEDGE ASSY-TE (PRE SB 767-57A0039) (PRE SB 767-57A0057)	G,V	1
-352C	114T4111-19		.WEDGE ASSY-TE (-7 IS INTERCHANGEABLE WITH -19 OR -21 ONLY IF CUSTOMER COMPLIES WITH A/D 93-14-19) (POST SB 767-57A0039) (POST SB 767-57A0057)	H,L,Z ,BW,B Y,CA, CC,CE ,CG CXG	1

# 57-43-41

 ILLUSTRATED PARTS LIST  
 01.1 Page 1098  
 Mar 01/04

FIG. & ITEM	PART NO.	AIRLINE PART NUMBER	NOMENCLATURE 1234567	EFF CODE	QTY PER ASSY
03- -352D	114T4111-21		.WEDGE ASSY-TE (-7 IS INTERCHANGEABLE WITH -19 OR -21 ONLY IF CUSTOMER COMPLIES WITH A/D 93-14-19) (POST SB 767-57A0057)	AC,BX ,BZ, CB,CD ,CF,C H,CW DE,DG ,DJ	1
-352E	114T4111-401SP		DELETED		
-352F	114T4111-401		.WEDGE ASSY-TE	CY,DC ,DL	1
-354	114T4111-8		.WEDGE ASSY-TE (-8 IS INTERCHANGEABLE WITH -20 OR -22 ONLY IF CUSTOMER COMPLIES WITH A/D 93-14-19) (OPT ITEM 354A) (PRE SB 767-57A0039) (PRE SB 767-57A0057)	N,Y	1
-354A	114T4111-10		.WEDGE ASSY-TE (OPT ITEM 354) (PRE SB 767-57A0039) (PRE SB 767-57A0057)	N,Y	1
-354B	114T4111-12		.WEDGE ASSY-TE (PRE SB 767-57A0039) (PRE SB 767-57A0057)	J,W	1
-354C	114T4111-20		.WEDGE ASSY-TE (-8 IS INTERCHANGEABLE WITH -20 OR -22 ONLY IF CUSTOMER COMPLIES WITH A/D 93-14-19) (POST SB 767-57A0039) (POST SB 767-57A0057)	K,AA, AB,CJ ,CL,C N,CQ, CS,CU DA,CU	1
-354D	114T4111-22		.WEDGE ASSY-TE (-8 IS INTERCHANGEABLE WITH -20 OR -22 ONLY IF CUSTOMER COMPLIES WITH A/D 93-14-19) (POST SB 767-57A0057)	AD,CK ,CM,C P,CR, CT,CV ,CZ DF,DH ,DK	1
-354E	114T4111-402SP		DELETED		
-354F	114T4111-402		.WEDGE ASSY-TE	DB,DD ,DM	1
			ATTACHING PARTS		

**57-43-41**

ILLUSTRATED PARTS LIST  
 01.1 Page 1098A  
 Mar 01/04

FIG. & ITEM	PART NO.	AIRLINE PART NUMBER	NOMENCLATURE 1234567	EFF CODE	QTY PER ASSY
03-					
356	BACB30NW6K		DELETED		
358	HL79-6		DELETED		
360	BACR15CE5KE		DELETED		
362	BACS40R08C19F		.SHIM	B,G,J L,N V-AB BW-CV	6
-362A	BACS40R008C019F		.SHIM	H,K,A C,AD CW-DM	6
364	BACS40R08C17F		.SHIM	B,G,J L,N V-AB BW-CV	1
-364A	BACS40R008C017F		.SHIM	H,K,A C,AD CW-DM	1
366	BACS40R08C10F		.SHIM	B,G,J L,N V-AB BW-CV	1
-366A	BACS40R008C010F		.SHIM	H,K,A C,AD CW-DM	1
368	BACS40R08C09F		.SHIM	B,G,J L,N V-AB BW-CV	1
-368A	BACS40R008C009F		.SHIM	H,K,A C,AD CW-DM	1
370	BACS40R08C08F		DELETED		
372	BACB30NN3K5		.BOLT	B,G-L N V-AD BW-DM	18

# 57-43-41

 ILLUSTRATED PARTS LIST  
 01.1 Page 1098B  
 Mar 01/04

114T4101  
 015T0165  
 015T1507  
 DASH NUMBERS LIMITED

 **BOEING**  
 COMPONENT  
 MAINTENANCE MANUAL

FIG. & ITEM	PART NO.	AIRLINE PART NUMBER	NOMENCLATURE 1234567	EFF CODE	QTY PER ASSY
03-374	114T4101-9		.SKIN	B,G,H ,L,V, X,Z,A C,B W-CH, CW CX,DE ,DG,D K	1
-374A	114T4101-405		.DOOR	CY,DC ,DL	1
-376	114T4101-10		.SKIN	J,K,N ,W,Y, AA,AB ,AD,C J-CV CZ,DA ,DF,D H,DK	1
-376A	114T4101-406		.DOOR	DB,DD ,DM	1
378	BACR15BA3AD		.RIVET- (SIZE DETERMINE ON INST)	B,G-L ,N, V-AD, BW-DM	36
380	BRFM22A4-3		.NUTPLATE- (V52828) (SPEC BACN10JQ34) (OPT MF19058-3-4BAC (V15653))	B,G,J ,L,N, V-AB, BW-CV	18

**57-43-41**

ILLUSTRATED PARTS LIST  
 01.1 Page 1098C  
 Mar 01/04

FIG. & ITEM	PART NO.	AIRLINE PART NUMBER	NOMENCLATURE 1234567	EFF CODE	QTY PER ASSY
03- -380A	MF19058-3-4BAC		.NUTPLATE- (V15653) (SPEC BACN10YF34)	H,K,A C,AD, CW-DM	18
381	BACB30NN3K5		.BOLT	B,G-L ,N, V-AD, BW-DM	4
381A	BACR15BA3AD		.RIVET- (SIZE DETERMINE ON INST)	B,G-L ,N, V-AD, BW-DM	8
381B	BRFM22A3-3		.NUTPLATE- (V52828) (SPEC BACN10JQ33) (OPT MF19058-3-3BAC (V15653))	B,G,J ,L,N, V-AB, BW-CV	4
-381C	MF19058-3-3BAC		.NUTPLATE- (V15653) (SPEC BACN10YF33)	H,K,A C,AD, CW-DM	4
382	114T4156-1		.PANEL ASSY-ACCESS	B,G,H ,L,V, X,Z,A C,B W-CH CW-CY ,DC,D E,DG, DJ,DL	1
-384	114T4156-2		.PANEL ASSY-ACCESS	J,K,N ,W,Y, AA,AB ,AD,C J-CV CZ-DB ,DD,D F,DH, DK,DM	1
386	BACB30NN3K5		.BOLT	B,G-L ,N, V-AD, BW-DM	28
			-----*		

# 57-43-41

 ILLUSTRATED PARTS LIST  
 01.1 Page 1098D  
 Mar 01/04



FIG. & ITEM	PART NO.	AIRLINE PART NUMBER	NOMENCLATURE 1234567	EFF CODE	QTY PER ASSY
03-388	BACR15BA3AD		.RIVET- (SIZE DETERMINE ON INST)	B,G-L ,N, V-AD, BW-DM	50
390	BACN10JQ32		.NUTPLATE	B,G,J ,L,N, V-AB, BW-CV	7
-390A	MF19058-3-2BAC		.NUTPLATE- (V15653) (SPEC BACN10YF32)	H,K,A C,AD, CW-DM	7
392	BRFM22A4-3		.NUTPLATE- (V52828) (SPEC BACN10JQ34) (OPT MF19058-3-4BAC (V15653))	B,G,J ,L,N, V-AB, BW-CV	15
-392A	MF19058-3-4BAC		.NUTPLATE- (V15653) (SPEC BACN10YF34)	H,K,A C,AD, CW-DM	15
394	NS103225-02		.NUTPLATE- (V80539) (SPEC BACN10KH3) (OPT RMF9209M3 (V72962)) (OPT RMF9209M3 (V72962))	B,G-L ,N, V-AD, BW-DM	3
396	NAS1195DD3KH		.SHIM	B,G-L ,N, V-AD, BW-DM	4
398	114T4912-1		.FITTING ASSY-INSERT	B,G,H ,L,V, X,Z, AC, BW-CH CW-CY DC,DE DG,DJ DL	1

57-43-41

FIG. & ITEM	PART NO.	AIRLINE PART NUMBER	NOMENCLATURE 1234567	EFF CODE	QTY PER ASSY
03- -400	114T4912-2		.FITTING ASSY-INSERT	J,K,N ,W,Y, AA,AB ,AD,C J-CV CZ-DB ,DD,D F,DH, DK,DM	1
402	BACR15BA5A		ATTACHING PARTS .RIVET- (SIZE DETERMINE ON INST)	B,G-L ,N, V-AD, BW-DM	2
404	114T4600-21		-----*----- .RIB ASSY-ACTR	B,G,H ,L,V, X,Z,A C,B W-CH CW-CY ,DC,D E,DG, DJ,DL	1
-406	114T4600-22		.RIB ASSY-ACTR  ATTACHING PARTS	J,K,N ,W,Y, AA,AB ,AD,C J-CV CZ-DB ,DD,D F,DH, DK,DM	1

# 57-43-41

 ILLUSTRATED PARTS LIST  
 01.1 Page 1098F  
 Mar 01/04

FIG. & ITEM	PART NO.	AIRLINE PART NUMBER	NOMENCLATURE 1234567	EFF CODE	QTY PER ASSY
03-408	BACB30NU3K3		.BOLT	B,G,J L,N, V-AB, BW-CV	3
-408A	BACB30VF3K3		.BOLT	H,K,A C,AD, CW-DM	3
410	BACB30NU3K4		.BOLT	B,G,J L,N, V-AB, BW-CV	1
-410A	BACB30VF3K4		.BOLT	H,K,A C,AD, CW-DM	1
412	BACB30NU3K6		.BOLT	B,G,J L,N, V-AB, BW-CV	2
-412A	BACB30VF3K6		.BOLT	H,K,A C,AD, CW-DM	2
414	AN960PD10		.WASHER	B,G,J L,N, V-AB, BW-CV	6
-414A	NAS1149D0363J		.WASHER	H,K,A C,AD, CW-DM	6
416	H10-3BAC		.NUT- (V15653) (SPEC BACN10JC3) (OPT NS202101-02 (V80539)) (OPT RMLH9075-3W (V72962)) (OPT T6S1032J (V71087)) (OPT VN303A02 (V92215)) (OPT 96-02 (V80539)) (OPT BRH10A3 (V52828))	B,G,J L,N, V-AB, BW-CV	6

57-43-41

FIG. & ITEM	PART NO.	AIRLINE PART NUMBER	NOMENCLATURE 1234567	EFF CODE	QTY PER ASSY
03-416A	BRH10C3D		.NUT- (V52828) (SPEC BACN10JC3CD) (OPT T6C1032JCD (V11815)) (OPT NS202486-02 (V80539)) (OPT 102LH9075-3W (V72962)) (OPT H51650-3BAC (V15653))	H,K,A C,AD, CW-DM	6
418	BACB30NW6K		.BOLT- (SIZE DETERMINE ON INST)	B,G-L ,N, V-AD, BW-DM	8
420	BACB30MY6K		.BOLT- (SIZE DETERMINE ON INST)	B,G-L ,N, V-AD, BW-DM	1
422	HL79-6		.COLLAR- (V5M902) (SPEC BACC30M6) (OPT HL79-6 (V73197)) (OPT HL79-6 (V92215)) (OPT 66014-6 (V56878)) (OPT HL79-6 (V56878))	B,G-L ,N, V-AD, BW-DM	9

# 57-43-41

 ILLUSTRATED PARTS LIST  
 01.1 Page 1098H  
 Mar 01/04

FIG. & ITEM	PART NO.	AIRLINE PART NUMBER	NOMENCLATURE 1234567	EFF CODE	QTY PER ASSY
03-424	BACR15FT6AD		.RIVET- (SIZE DETERMINE ON INST)	B,G-L ,N, V-AD, BW-DM	1
426	BACS4OR08C16F		.SHIM	B,G,J ,L,N, V-AB, BW-CV	3
-426A	BACS4OR008C016F		.SHIM	H,K, AC,AD CW-DM	3
			-----*		
430	BACB28AM07B020A		..BUSHING	B,G-L ,N, V-AD, BW-DM	1
432	BACB28AP05P019		..BUSHING	B,G-L ,N, V-AD, BW-DM	1
-432A	012T2400-46		DELETED		
434	BACR15BA3AD		..RIVET- (SIZE DETERMINE ON INST)	B,G-L ,N, V-AD, BW-DM	28
436	BRFM22A4-3		..NUTPLATE- (V52828) (SPEC BACN10JQ34) (OPT MF19058-3-4BAC (V15653))	B,G-L ,N, V-AD, BW-DM	4
438	BRFM22A5-3		..NUTPLATE- (V52828) (SPEC BACN10JQ35) (OPT MF19058-3-5BAC (V15653))	B,G-L ,N, V-AD, BW-DM	8

57-43-41

FIG. & ITEM	PART NO.	AIRLINE PART NUMBER	NOMENCLATURE 1234567	EFF CODE	QTY PER ASSY
03-440	NS103225-02		..NUTPLATE- (V80539) (SPEC BACN10KH3) (OPT RMF9209M3 (V72962)) (OPT RMF9209M3 (V72962))	B,G-L ,N, V-AD, BW-DM	2
442	NAS1195DD3KH		..SHIM	B,G-L ,N, V-AD, BW-DM	4
444	114T4600-23		..RIB	B,G,H ,L,V, X,Z,A C,B W-CH CW-CY ,DC,D E,DG, DJ,DL	1
-446	114T4600-24		..RIB	J,K,N ,W,Y, AA,AB ,AD,C J-CV CZ-DB ,DD,D F,DH, DK,DM	1
448	114T4601-21		.RIB ASSY-ACTR	B,G,H ,L,V, X,Z,A C,B W-CH CW-CY ,DC,D E,DG, DJ,DL	1

# 57-43-41

 ILLUSTRATED PARTS LIST  
 01.1 Page 1098J  
 Mar 01/04

114T4101  
 015T0165  
 015T1507  
 DASH NUMBERS LIMITED

 **BOEING**  
 COMPONENT  
 MAINTENANCE MANUAL

FIG. & ITEM	PART NO.	AIRLINE PART NUMBER	NOMENCLATURE 1234567	EFF CODE	QTY PER ASSY
03- -450	114T4601-22		.RIB ASSY-ACTR	J,K,N ,W,Y, AA,AB ,AD,C J-CV CZ-DB ,DD,D F,DH, DK,DM	1
452	BACB30NU3K3		ATTACHING PARTS .BOLT	B,G,J ,L,N, V-AB, BW-CV	3
-452A	BACB30VF3K3		.BOLT	H,K,A C,AD, CW-DM	3
454	BACB30NU3K4		.BOLT	B,G,J ,L,N, V-AB, BW-CV	1
-454A	BACB30VF3K4		.BOLT	H,K,A C,AD, CW-DM	1
456	BACB30NU3K6		.BOLT	B,G,J ,L,N, V-AB, BW-CV	2
-456A	BACB30VF3K6		.BOLT	H,K,A C,AD, CW-DM	2

**57-43-41**

ILLUSTRATED PARTS LIST  
 01.1 Page 1098K  
 Mar 01/04

FIG. & ITEM	PART NO.	AIRLINE PART NUMBER	NOMENCLATURE 1234567	EFF CODE	QTY PER ASSY
03-458	AN960PD10		.WASHER	B,G,J L,N, V-AB, BW-CV	6
-458A	NAS1149D0363J		.WASHER	H,K,A C,AD, CW-DM	6
460	H10-3BAC		.NUT- (V15653) (SPEC BACN10JC3) (OPT NS202101-02 (V80539)) (OPT RMLH9075-3W (V72962)) (OPT T6S1032J (V71087)) (OPT VN303A02 (V92215)) (OPT 96-02 (V80539)) (OPT BRH10A3 (V52828))	B,G,J L,N, V-AB, BW-CV	6
-460A	BRH10C3D		.NUT- (V52828) (SPEC BACN10JC3CD) (OPT T6C1032JCD (V11815)) (OPT NS202486-02 (V80539)) (OPT 102LH9075-3W (V72962)) (OPT H51650-3BAC (V15653))	H,K,A C,AD, CW-DM	6

# 57-43-41

 ILLUSTRATED PARTS LIST  
 01.1 Page 1098L  
 Mar 01/04



FIG. & ITEM	PART NO.	AIRLINE PART NUMBER	NOMENCLATURE 1234567	EFF CODE	QTY PER ASSY
03-462	BACB30NW6K		.BOLT- (SIZE DETERMINE ON INST)	B,G-L ,N, V-AD, BW-DM	8
464	BACB30MY6K		.BOLT- (SIZE DETERMINE ON INST)	B,G-L ,N, V-AD, BW-DM	2
466	HL79-6		.COLLAR- (V5M902) (SPEC BACC30M6) (OPT HL79-6 (V73197)) (OPT HL79-6 (V92215)) (OPT 66014-6 (V56878)) (OPT HL79-6 (V56878)) (SIZE DETERMINE ON INST)	B,G-L ,N, V-AD, BW-DM	9
468	BACR15F6AD		DELETED		
468A	BACR15FT5AD		.RIVET- (SIZE DETERMINE ON INST)	B,G-L ,N, V-AD, BW-DM	3
470	BACS40R08C16F		.SHIM	B,G,J ,L,N, V-AB, BW-CV	1
-470A	BACS40R008C016F		.SHIM	H,K, AC,AD CW-DM	1
			-----*-----		

57-43-41

FIG. & ITEM	PART NO.	AIRLINE PART NUMBER	NOMENCLATURE 1234567	EFF CODE	QTY PER ASSY
03-472	BACB28AM07B020A		..BUSHING	B,G-L ,N, V-AD, BW-DM	1
474	BACB28AP05P019		..BUSHING	B,G-L ,N, V-AD, BW-DM	1
-474A 476	012T2400-46 BACR15BA3AD		DELETED ..RIVET- (SIZE DETERMINE ON INST)	B,G-L ,N, V-AD, BW-DM	28
478	BRFM22A4-3		..NUTPLATE- (V52828) (SPEC BACN10JQ34) (OPT MF19058-3-4BAC (V15653))	B,G-L ,N, V-AD, BW-DM	4
480	BRFM22A5-3		..NUTPLATE- (V52828) (SPEC BACN10JQ35) (OPT MF19058-3-5BAC (V15653))	B,G-L ,N, V-AD, BW-DM	8
482	NS103225-02		..NUTPLATE- (V80539) (SPEC BACN10KH3) (OPT RMF9209M3 (V72962)) (OPT RMF9209M3 (V72962))	B,G-L ,N, V-AD, BW-DM	2
484	NAS1195DD3KH		..SHIM	B,G-L ,N, V-AD, BW-DM	4
486	114T4601-23		..RIB	B,G,H ,L,V, X,Z,A C,B W-CH CW-CY ,DC,D E,DG, DJ,DL	1

# 57-43-41

 ILLUSTRATED PARTS LIST  
 01.1 Page 1098N  
 Mar 01/04

114T4101  
 015T0165  
 015T1507  
 DASH NUMBERS LIMITED

 **BOEING**  
 COMPONENT  
 MAINTENANCE MANUAL

FIG. & ITEM	PART NO.	AIRLINE PART NUMBER	NOMENCLATURE 1234567	EFF CODE	QTY PER ASSY
03- -488	114T4601-24		.RIB	J,K,N ,W,Y, AA,AB ,AD,C J-CV CZ-DB ,DD,D F,DH, DK,DM	1
490	114T4400-9		DELETED		
490A	114T4400-13		DELETED		
491	HL11VAZ10-8		DELETED		
491D	HL11VAZ10-9		DELETED		
491H	HL82-10APBW		DELETED		
491M	BACS40R12C27F		DELETED		
491R	BACB30NW6K9X		DELETED		
491V	HL79-6		DELETED		
-492	114T4400-10		DELETED		
-492A	114T4400-14		DELETED		
493	BACB30LL3-7X		DELETED		
493A	BACB30NU3K5		DELETED		
493B	AN960PD10		DELETED		
493D	H10-3BAC		DELETED		
493H	114T6415-5		DELETED		
493M	114T6415-2		DELETED		
493R	BACS40R08C34F		DELETED		
			ATTACHING PARTS		
494	BACB30NT3K22		DELETED		
494A	HL10VAZ6-5		.BOLT- (V60516) (SPEC BACB30MY6K5) (OPT B30MY6K5 (V97928))	B,G-L ,N, V-AD, BW-DM	4
496	BACB30NU3K3		.BOLT	B,G,J ,L,N, V-AB, BW-CV	2
-496A	BACB30VF3K3		.BOLT	H,K,A C,AD, CW-DM	2

57-43-41

ILLUSTRATED PARTS LIST  
 01.1 Page 10980  
 Mar 01/04

FIG. & ITEM	PART NO.	AIRLINE PART NUMBER	NOMENCLATURE 1234567	EFF CODE	QTY PER ASSY
03-498	BACB30NU3K4		.BOLT	B,G,J L,N, V-AB, BW-CV	4
-498A	BACB30VF3K4		.BOLT	H,K,A C,AD, CW-DM	4
500	BACB30NU3K7		.BOLT	B,G,J L,N, V-AB, BW-CV	4
-500A	BACB30VF3K7		.BOLT	H,K,A C,AD, CW-DM	4
502	AN960PD10		.WASHER	B,G,J L,N, V-AB, BW-CV	10
-502A	NAS1149D0363J		.WASHER	H,K,A C,AD, CW-DM	10
504	H10-3BAC		.NUT- (V15653) (SPEC BACN10JC3) (OPT NS202101-02 (V80539)) (OPT RMLH9075-3W (V72962)) (OPT T6S1032J (V71087)) (OPT VN303A02 (V92215)) (OPT 96-02 (V80539)) (OPT BRH10A3 (V52828))	B,G,J L,N, V-AB, BW-CV	14

# 57-43-41

 ILLUSTRATED PARTS LIST  
 01.1 Page 1098P  
 Mar 01/04

FIG. & ITEM	PART NO.	AIRLINE PART NUMBER	NOMENCLATURE 1234567	EFF CODE	QTY PER ASSY
03-504A	BRH10C3D		.NUT- (V52828) (SPEC BACN10JC3D) (OPT T6C1032JCD (V11815)) (OPT NS202486-02 (V80539)) (OPT 102LH9075-3W (V72962)) (OPT H51650-3BAC (V15653))	H,K,A C,AD, CW-DM	14
506	BACB30NW6K		.BOLT- (SIZE DETERMINE ON INST)	B,G-L ,N, V-AD, BW-DM	10
508	BACB30MY6K		.BOLT- (SIZE DETERMINE ON INST)	B,G-L ,N, V-AD, BW-DM	2
510	HL79-6		.COLLAR- (V5M902) (SPEC BACC30M6) (OPT HL79-6 (V73197)) (OPT HL79-6 (V92215)) (OPT 66014-6 (V56878)) (OPT HL79-6 (V56878))	B,G-L ,N, V-AD, BW-DM	12

**57-43-41**

FIG. & ITEM	PART NO.	AIRLINE PART NUMBER	NOMENCLATURE 1234567	EFF CODE	QTY PER ASSY
03-511	HST10AG6-6		.BOLT- (VOPTK6) (SPEC BACB30VT6K6) (OPT HST10AG6-6 (V06725)) (OPT HST10AG6-6 (V56878)) (OPT HST10AG6-6 (V73197))	B,G-L ,N, V-AD, BW-DM	2
511H	HST10AG6-5		.BOLT- (VOPTK6) (SPEC BACB30VT6K5) (OPT HST10AG6-5 (V06725)) (OPT HST10AG6-5 (V56878)) (OPT HST10AG6-5 (V73197))	B,G-L ,N, V-AD, BW-DM	2
512	BACR15FT6AD		DELETED		
513	HST10AG6-4		.BOLT- (V06725) (SPEC BACB30VT6K4) (OPT HST10AG6-4 (V73197)) (OPT HST10AG6-4 (V56878)) (OPT HST10AG6-4 (VOPTK6))	B,G-L ,N, V-AD, BW-DM	2
513H	HST79CY6		.COLLAR- (V73197) (SPEC BACC30BL6) (OPT HST79-6 (V56878)) (OPT HST79-6 (V92215)) (OPT HST79-6 (V5M902))	B,G-L ,N, V-AD, BW-DM	6

**57-43-41**

ILLUSTRATED PARTS LIST  
01.1 Page 1098R  
Mar 01/04

114T4101  
 015T0165  
 015T1507  
 DASH NUMBERS LIMITED

 **BOEING**  
 COMPONENT  
 MAINTENANCE MANUAL

FIG. & ITEM	PART NO.	AIRLINE PART NUMBER	NOMENCLATURE 1234567	EFF CODE	QTY PER ASSY
03- 514 514A	BACS4OR08C16F BACS4OR08C21F		DELETED .SHIM	B,G,J ,L,N, V-AB, BW-CV	1
-514B	BACS4OR008C021F		.SHIM	H,K, AC,AD CW-DM	1
			-----*-----		
515	114T4186-1		DELETED		
-515G	114T4186-2		DELETED		
516	BACB28AM13B023A		DELETED		
516A	BACB28AM10B043A		DELETED		
516B	012T2400-41		DELETED		
516G	BACB28AM10B020A		DELETED		
517	114T4186-3		DELETED		
-517G	114T4186-4		DELETED		
518	BACB28AP09P022		DELETED		
518A	BACB28AP07P042		DELETED		
518B	114T4400-13		.RIB ASSY-MAIN TRACK	B,G,H ,L,V, X,Z,A C,B W-CH CW-CY ,DC,D E,DG, DJ,DL	1
-518C	114T4181-3		DELETED		

**57-43-41**

ILLUSTRATED PARTS LIST  
 01.1 Page 1098S  
 Mar 01/04

FIG. & ITEM	PART NO.	AIRLINE PART NUMBER	NOMENCLATURE 1234567	EFF CODE	QTY PER ASSY
03- -519	114T4400-14		.RIB ASSY-MAIN TRACK	J,K,N ,W,Y, AA,AB ,AD,C J-CV CZ-DB ,DD,D F,DH, DK,DM	1
-519A 520	114T4181-4 BACR15BA3AD		DELETED ..RIVET- (SIZE DETERMINE ON INST)	B,G-L ,N, V-AD, BW-DM	24
522	BRFM22A3-3		..NUTPLATE- (V52828) (SPEC BACN10JQ33) (OPT MF19058-3-3BAC (V15653))	B,G-L ,N, V-AD, BW-DM	10
524	NS103225-02		..NUTPLATE- (V80539) (SPEC BACN10KH3) (OPT RMF9209M3 (V72962)) (OPT RMF9209M3 (V72962))	B,G-L ,N, V-AD, BW-DM	2
526	NAS1195DD3KH		..SHIM	B,G-L ,N, V-AD, BW-DM	2
527	BACB28AM10B043A		..BUSHING	B,G-L ,N, V-AD, BW-DM	1

# 57-43-41

 ILLUSTRATED PARTS LIST  
 01.1 Page 1098T  
 Mar 01/04



114T4101  
 015T0165  
 015T1507  
 DASH NUMBERS LIMITED

 **BOEING**  
 COMPONENT  
 MAINTENANCE MANUAL

FIG. & ITEM	PART NO.	AIRLINE PART NUMBER	NOMENCLATURE 1234567	EFF CODE	QTY PER ASSY
03-527G	BACB28AP07P042		..BUSHING	B,G-L ,N, V-AD, BW-DM	1
528	114T4400-11		DELETED		
528A	114T4400-15		..RIB	B,G,H ,L,V, X,Z,A C,B W-CH CW-CY ,DC,D E,DG, DJ,DL	1
-529	114T4400-16		..RIB	J,K,N ,W,Y, AA,AB ,AD,C J-CV CZ-DB ,DD,D F,DH, DK,DM	1
-530	114T4400-12		DELETED		
-530A	114T4400-16		DELETED		
530B	BACS12ER3C15		DELETED		
530C	BACS12ER3K14		DELETED		
530G	H10-3BAC		DELETED		
531	114T6419-9		DELETED		
531G	114T6419-10		DELETED		
532	114T4401-9		DELETED		
532A	114T4401-13		DELETED		
533	HL11VAZ10-8		DELETED		
533H	HL82-10APBW		DELETED		
533M	BACS40R12C27F		DELETED		

**57-43-41**

ILLUSTRATED PARTS LIST  
 01.1 Page 1098U  
 Mar 01/04

FIG. & ITEM	PART NO.	AIRLINE PART NUMBER	NOMENCLATURE 1234567	EFF CODE	QTY PER ASSY
03-					
533R	BACB30NW6K9X		DELETED		
533V	HL79-6		DELETED		
-534	114T4401-10		DELETED		
-534A	114T4401-14		DELETED		
535	BACB30LL3-7X		DELETED		
535D	H10-3BAC		DELETED		
535H	114T6415-5		DELETED		
535M	114T6415-2		DELETED		
535R	BACS40R08C34F		DELETED		
			ATTACHING PARTS		
536	BACB30NT3K22		DELETED		
536A	HL10VAZ6-5		.BOLT- (V60516) (SPEC BACB30MY6K5) (OPT B30MY6K5 (V97928))	B,G-L ,N, V-AD, BW-DM	4
538	BACB30NU3K3		.BOLT	B,G,J ,L,N, V-AB, BW-CV	2
-538A	BACB30VF3K3		.BOLT	H,K,A C,AD, CW-DM	2
540	BACB30NU3K4		.BOLT	B,G,J ,L,N, V-AB, BW-CV	4
-540A	BACB30VF3K4		.BOLT	H,K,A C,AD, CW-DM	4
542	BACB30NU3K7		.BOLT	B,G,J ,L,N, V-AB, BW-CV	4
-542A	BACB30VF3K7		.BOLT	H,K,A C,AD, CW-DM	4
544	AN960PD10		.WASHER	B,G,J ,L,N, V-AB, BW-CV	10

# 57-43-41

 ILLUSTRATED PARTS LIST  
 01.1 Page 1098V  
 Mar 01/04

FIG. & ITEM	PART NO.	AIRLINE PART NUMBER	NOMENCLATURE 1234567	EFF CODE	QTY PER ASSY
03- -544A	NAS1149D0363J		.WASHER	H,K,A C,AD, CW-DM	10
546	H10-3BAC		.NUT- (V15653) (SPEC BACN10JC3) (OPT NS202101-02 (V80539)) (OPT RMLH9075-3W (V72962)) (OPT T6S1032J (V71087)) (OPT VN303A02 (V92215)) (OPT 96-02 (V80539)) (OPT BRH10A3 (V52828))	B,G,J ,L,N, V-AB, BW-CV	14
-546A	BRH10C3D		.NUT- (V52828) (SPEC BACN10JC3CD) (OPT T6C1032JCD (V11815)) (OPT NS202486-02 (V80539)) (OPT 102LH9075-3W (V72962)) (OPT H51650-3BAC (V15653))	H,K,A C,AD, CW-DM	14
548	BACB30NW6K		.BOLT- (SIZE DETERMINE ON INST)	B,G-L ,N, V-AD, BW-DM	10
550	BACB30MY6K		.BOLT- (SIZE DETERMINE ON INST)	B,G-L ,N, V-AD, BW-DM	2

**57-43-41**

FIG. & ITEM	PART NO.	AIRLINE PART NUMBER	NOMENCLATURE 1234567	EFF CODE	QTY PER ASSY
03-552	HL79-6		.COLLAR- (V5M902) (SPEC BACC30M6) (OPT HL79-6 (V73197)) (OPT HL79-6 (V92215)) (OPT 66014-6 (V56878)) (OPT HL79-6 (V56878))	B,G-L ,N, V-AD, BW-DM	12
553	HST10AG6-6		.BOLT- (VOPTK6) (SPEC BACB30VT6K6) (OPT HST10AG6-6 (V06725)) (OPT HST10AG6-6 (V56878)) (OPT HST10AG6-6 (V73197))	B,G-L ,N, V-AD, BW-DM	2
553H	HST10AG6-5		.BOLT- (VOPTK6) (SPEC BACB30VT6K5) (OPT HST10AG6-5 (V06725)) (OPT HST10AG6-5 (V56878)) (OPT HST10AG6-5 (V73197))	B,G-L ,N, V-AD, BW-DM	2

# 57-43-41

 ILLUSTRATED PARTS LIST  
 01.1 Page 1098X  
 Mar 01/04

114T4101  
 015T0165  
 015T1507  
 DASH NUMBERS LIMITED

 **BOEING**  
 COMPONENT  
 MAINTENANCE MANUAL

FIG. & ITEM	PART NO.	AIRLINE PART NUMBER	NOMENCLATURE 1234567	EFF CODE	QTY PER ASSY
03- 554 555	BACR15FT6AD HST10AG6-4		DELETED .BOLT- (V06725) (SPEC BACB30VT6K4) (OPT HST10AG6-4 (V73197)) (OPT HST10AG6-4 (V56878)) (OPT HST10AG6-4 (VOPTK6))	B,G-L ,N, V-AD, BW-DM	2
555H	HST79CY6		.COLLAR- (V73197) (SPEC BACC30BL6) (OPT HST79-6 (V56878)) (OPT HST79-6 (V92215)) (OPT HST79-6 (V5M902))	B,G-L ,N, V-AD, BW-DM	6
556	BACS40R08C16F		.SHIM	B,G,J ,L,N, V-AB, BW-CV	1
-556A	BACS40R008C016F		.SHIM	H,K,A C,AD, CW-DM	1
557	114T4187-1		DELETED		
-557G	114T4187-2		DELETED		
558	BACB28AM13B023A		DELETED		
558A	BACB28AM10B043A		DELETED		
558B	012T2400-41		DELETED		

**57-43-41**

ILLUSTRATED PARTS LIST  
 01.1 Page 1098Y  
 Mar 01/04

FIG. & ITEM	PART NO.	AIRLINE PART NUMBER	NOMENCLATURE 1234567	EFF CODE	QTY PER ASSY
03-					
558G	BACB28AM10B020A		DELETED		
559	114T4187-3		DELETED		
-559G	114T4187-4		DELETED		
560	BACB28AP09P022		DELETED		
560A	BACB28AP07P042		DELETED		
560B	114T4401-13		.RIB ASSY-MAIN TRACK	B,G,H ,L,V, X,Z,A C,B W-CH CW-CY ,DC,D E,DG, DJ,DL	1
-560C	114T4181-5		DELETED		
-561	114T4401-14		.RIB ASSY-MAIN TRACK	J,K,N ,W,Y, AA,AB ,AD,C J-CV CZ-DB ,DD,D F,DH, DK,DM	1
-561A	114T4181-6		DELETED		
562	BACR15BA3AD		..RIVET- (SIZE DETERMINE ON INST)	B,G-L ,N, V-AD, BW-DM	24
564	BRFM22A3-3		..NUTPLATE- (V52828) (SPEC BACN10JQ33) (OPT MF19058-3-3BAC (V15653))	B,G-L ,N, V-AD, BW-DM	10
566	NS103225-02		..NUTPLATE- (V80539) (SPEC BACN10KH3) (OPT RMF9209M3 (V72962)) (OPT RMF9209M3 (V72962))	B,G-L ,N, V-AD, BW-DM	2

# 57-43-41

 ILLUSTRATED PARTS LIST  
 01.1 Page 1098Z  
 Mar 01/04

114T4101  
 015T0165  
 015T1507  
 DASH NUMBERS LIMITED

 **BOEING**  
 COMPONENT  
 MAINTENANCE MANUAL

FIG. & ITEM	PART NO.	AIRLINE PART NUMBER	NOMENCLATURE 1234567	EFF CODE	QTY PER ASSY
03-568	NAS1195DD3KH		..SHIM	B,G-L ,N, V-AD, BW-DM	2
569	BACB28AM10B043A		..BUSHING	B,G-L ,N, V-AD, BW-DM	1
569G	BACB28AP07P042		..BUSHING	B,G-L ,N, V-AD, BW-DM	1
570 570A	114T4401-11 114T4401-15		DELETED ..RIB	B,G,H ,L,V, X,Z,A C,B W-CH CW-CY ,DC,D E,DG, DJ,DL	1
-574 -574A	114T4401-12 114T4401-16		DELETED ..RIB	J,K,N ,W,Y, AA,AB ,AD,C J-CV CZ-DB ,DD,D F,DH, DK,DM	1

**57-43-41**

ILLUSTRATED PARTS LIST  
 01.1 Page 1099  
 Mar 01/04

FIG. & ITEM	PART NO.	AIRLINE PART NUMBER	NOMENCLATURE 1234567	EFF CODE	QTY PER ASSY
03-					
575	BACS12ER3C18		DELETED		
575A	BACS12ER3K14		DELETED		
575G	H10-3BAC		DELETED		
576	114T6419-9		DELETED		
577	114T6419-10		DELETED		
578	114T4512-1		DELETED		
578A	114T4512-5		.RIB ASSY-AUX	B,BW, BX	1
-578B	114T4512-9		.ARM AND RIB ASSY-AUX	G,H,L ,V,Z, BY-CB ,CE-C H CW,CX	1
-578C	114T4512-13		.ARM AND RIB ASSY-AUX	X,CC, CD	1
-578D	114T4512-401		.ARM AND RIB ASSY-AUX (OPT ITEM 578E)	AC,CY ,DC,D E,DG, DJ,DL	1
-578E	114T4512-405		.ARM AND RIB ASSY-AUX (OPT ITEM 578D)	AC,CY ,DC,D E,DG, DJ,DL	1
-580	114T4512-2		DELETED		
-580A	114T4512-6		.RIB ASSY-AUX	N,CJ, CK	1
-580B	114T4512-10		.ARM AND RIB ASSY-AUX	J,K,W ,AA,A B,C L-CP, CS-CV CZ,DA	1
-580C	114T4512-14		.ARM AND RIB ASSY-AUX	Y,CQ, CR	1
-580D	114T4512-402		.ARM AND RIB ASSY-AUX (OPT ITEM 580E)	AD,DB ,DD,D F,DH, DK,DM	1
-580E	114T4512-406		.ARM AND RIB ASSY-AUX (OPT ITEM 580D)	AD,DB ,DD,D F,DH, DK,DM	1

# 57-43-41

 ILLUSTRATED PARTS LIST  
 01.1 Page 1100  
 Mar 01/04



114T4101  
 015T0165  
 015T1507  
 DASH NUMBERS LIMITED

 **BOEING**  
 COMPONENT  
 MAINTENANCE MANUAL

FIG. & ITEM	PART NO.	AIRLINE PART NUMBER	NOMENCLATURE 1234567	EFF CODE	QTY PER ASSY
03-582	114T4513-1		DELETED		
582A	114T4513-5		.RIB ASSY-AUX	B,BW, BX	1
-582B	114T4513-9		.ARM AND RIB ASSY-AUX	G,H,L ,V,Z, BY-CB ,CE-C H CW,CX	1
-582C	114T4513-13		.ARM AND RIB ASSY-AUX	X,CC, CD	1
-582D	114T4513-401		.ARM AND RIB ASSY-AUX	AC,CY ,DC,D E,DG, DJ,DL	1
-584	114T4513-2		DELETED		
-584A	114T4513-6		.RIB ASSY-AUX	N,CJ, CK	1
-584B	114T4513-10		.ARM AND RIB ASSY-AUX	J,K,W ,AA,A B,C L-CP, CS-CV CZ,DA	1
-584C	114T4513-14		.ARM AND RIB ASSY-AUX	Y,CQ, CR	1
-584D	114T4513-402		.ARM AND RIB ASSY-AUX	AD,DB ,DD,D F,DH, DK,DM	1

**57-43-41**

ILLUSTRATED PARTS LIST  
 01.1 Page 1100A  
 Mar 01/04

FIG. & ITEM	PART NO.	AIRLINE PART NUMBER	NOMENCLATURE 1234567	EFF CODE	QTY PER ASSY
03-586	BACB30NT3K6		.BOLT	B,G-L N V-AD BW-DM	4
587	HL11VAZ6-6		.BOLT- (V60516) (SPEC BACB30NW6K6) (OPT B30NW6K6 (V97928)) (OPT HL11VAZ6-6 (V73197)) (OPT HL11VAZ6-6 (V92215)) (OPT HL11VAZ6-6 (V97928)) (OPT L803-6K6 (V06725)) (OPT HL11VAZ6-6 (VOPTK6)) (OPT HL11VAZ6-6 (V56878)) (LIMITED)	X,Y,C C,CD CQ,CR	2
-587A	BACB30NU3K4		.BOLT- (LIMITED)	X,Y,C C,CD CQ,CR	2
588	BACB30NU3K5		.BOLT	B,G,J L,N V,W Z-AB BW-CB CE-CP CS-C V	6
-588A	BACB30VF3K5		.BOLT	H,K,A C,AD CW-DM	6

# 57-43-41

 ILLUSTRATED PARTS LIST  
 01.1 Page 1100B  
 Mar 01/04

FIG. & ITEM	PART NO.	AIRLINE PART NUMBER	NOMENCLATURE 1234567	EFF CODE	QTY PER ASSY
03-589	HL11VAZ6-5		.BOLT- (V60516) (SPEC BACB30NW6K5) (OPT HL11V6-5 (V92215)) (OPT HL11V6-5 (V97928)) (OPT L803-6-5 (V06725)) (OPT B30NW6K5 (V97928)) (OPT HL11VAZ6-5 (V73197)) (OPT HL11VAZ6-5 (V92215)) (OPT HL11VAZ6-5 (V56878)) (LIMITED)	X,Y,C C,CD, CQ,CR	4
-589A	BACB30NU3K2		.BOLT- (LIMITED)	X,Y,C C,CD, CQ,CR	4
590	AN960PD10		.WASHER	B,G,J ,L,N, V,W, Z-AB, BW-CB CE-CP ,CS-C V	10
-590A	NAS1149D0363J		.WASHER	H,K,A C,AD, CW-DM	10
590H	AN960PD10		.WASHER	X,Y,C C,CD, CQ,CR	4
590R	AN960PD10		.WASHER- (LIMITED)	X,Y,C C,CD, CQ,CR	6
591	BACW10P43AL		.WASHER	B,G-L ,N, V-AD, BW-DM	4

57-43-41

FIG. & ITEM	PART NO.	AIRLINE PART NUMBER	NOMENCLATURE 1234567	EFF CODE	QTY PER ASSY
03-592	H10-3BAC		.NUT- (V15653) (SPEC BACN10JC3) (OPT NS202101-02 (V80539)) (OPT RMLH9075-3W (V72962)) (OPT T6S1032J (V71087)) (OPT VN303A02 (V92215)) (OPT 96-02 (V80539)) (OPT BRH10A3 (V52828))	B,G,J L,N, V,W, Z-AB, BW-CB CE-CP CS-C V	10
-592A	BRH10C3D		.NUT- (V52828) (SPEC BACN10JC3CD) (OPT T6C1032JCD (V11815)) (OPT NS202486-02 (V80539)) (OPT 102LH9075-3W (V72962)) (OPT H51650-3BAC (V15653))	H,K,A C,AD, CW-DM	10
592H	H10-3BAC		.NUT- (V15653) (SPEC BACN10JC3) (OPT NS202101-02 (V80539)) (OPT RMLH9075-3W (V72962)) (OPT T6S1032J (V71087)) (OPT VN303A02 (V92215)) (OPT 96-02 (V80539)) (OPT BRH10A3 (V52828))	X,Y,C C,CD, CQ,CR	4

**57-43-41**

ILLUSTRATED PARTS LIST  
01.1 Page 1100D  
Mar 01/04

FIG. & ITEM	PART NO.	AIRLINE PART NUMBER	NOMENCLATURE 1234567	EFF CODE	QTY PER ASSY
03-592R	H10-3BAC		.NUT- (V15653) (SPEC BACN10JC3) (OPT NS202101-02 (V80539)) (OPT RMLH9075-3W (V72962)) (OPT T6S1032J (V71087)) (OPT VN303A02 (V92215)) (OPT 96-02 (V80539)) (OPT BRH10A3 (V52828)) (LIMITED)	X,Y,C C,CD, CQ,CR	6
593	HL79-6		.COLLAR- (V5M902) (SPEC BACC30M6) (OPT HL79-6 (V73197)) (OPT HL79-6 (V92215)) (OPT 66014-6 (V56878)) (OPT HL79-6 (V56878)) (LIMITED)	X,Y,C C,CD, CQ,CR	6
594	BACB30NW5K		.BOLT- (SIZE DETERMINE ON INST)	B,G-L ,N,V, W,Z-A D,B W-CB CE-CP ,CS-D M	8

**57-43-41**

FIG. & ITEM	PART NO.	AIRLINE PART NUMBER	NOMENCLATURE 1234567	EFF CODE	QTY PER ASSY
03-594A	HL11VAZ6-3		.BOLT- (V60516) (SPEC BACB30NW6K3) (OPT B30NW6K3 (V97928)) (OPT HL11VAZ6-3 (V73197)) (OPT HL11VAZ6-3 (V92215)) (OPT HL11VAZ6-3 (V97928)) (OPT L803-6K3 (V06725)) (OPT HL11VAZ6-3 (V0PTK6)) (OPT HL11VAZ6-3 (V56878))	X,Y,C C,CD, CQ,CR	8
595	HL447PB6-5		.BOLT- (V60516) (SPEC BACB30ND6A5X) (OPT HL445PB6-5X (V80539)) (OPT 69310-6A5X (V56878)) (OPT HL445PB6-5X (V92215)) (OPT HL445PB6-5X (V73197)) (OPT HL445PB6-5X (V56878)) (OPT HL445PB6-5X (V97928)) (OPT HL445PB6-5X (V60516)) (OPT ITEM 595A)	X,Y,C C,CD, CQ,CR	4

# 57-43-41

 ILLUSTRATED PARTS LIST  
 01.1 Page 1100F  
 Mar 01/04

FIG. & ITEM	PART NO.	AIRLINE PART NUMBER	NOMENCLATURE 1234567	EFF CODE	QTY PER ASSY
03- -595A	HL111VAZ6-5		.BOLT- (V60516) (SPEC BACB30NW6K5X) (OPT HL11VAZ6-5X (V73197)) (OPT HL11VAZ6-5X (V92215)) (OPT L803-6K5X (V06725)) (OPT B30NW6K5X (V97928)) (OPT HL11VAZ6-5X (V97928)) (OPT HL11VAZ6-5X (V0PTK6)) (OPT HL11VAZ6-5X (V60516)) (OPT HL11VAZ6-5X (V56878)) (OPT ITEM 595)	X,Y,C C,CD, CQ,CR	4
596	BACB30NW6K		.BOLT- (SIZE DETERMINE ON INST)	B,G-L ,N,V, W,Z-A D,B W-CB CE-CP ,CS-D M	8

**57-43-41**

FIG. & ITEM	PART NO.	AIRLINE PART NUMBER	NOMENCLATURE 1234567	EFF CODE	QTY PER ASSY
03-597	HL447PB6-6		.BOLT- (V60516) (SPEC BACB30ND6A6X) (OPT HL445PB6-6X (V80539)) (OPT 69310-6A6X (V56878)) (OPT HL445PB6-6X (V92215)) (OPT HL445PB6-6X (V73197)) (OPT HL445PB6-6X (V56878)) (OPT HL445PB6-6X (V97928)) (OPT HL445PB6-6X (V60516)) (OPT ITEM 597A)	X,Y,C C,CD, CQ,CR	4
-597A	HL111VAZ6-6		.BOLT- (V60516) (SPEC BACB30NW6K6X) (OPT HL11VAZ6-6X (V0PTK6)) (OPT HL11VAZ6-6X (V97928)) (OPT B30NW6K6X (V97928)) (OPT L803-6K6X (V06725)) (OPT HL11VAZ6-6X (V92215)) (OPT HL11VAZ6-6X (V73197)) (OPT HL11VAZ6-6X (V56878)) (OPT HL11VAZ6-6X (V60516)) (OPT ITEM 597)	X,Y,C C,CD, CQ,CR	4

# 57-43-41

 ILLUSTRATED PARTS LIST  
 01.1 Page 1100H  
 Mar 01/04



FIG. & ITEM	PART NO.	AIRLINE PART NUMBER	NOMENCLATURE 1234567	EFF CODE	QTY PER ASSY
03- 598 598A	BACB30MY6 BACB30MY6K		DELETED .BOLT- (SIZE DETERMINE ON INST)	B,G-L ,N,V, W,Z-A D,B W-CB CE-CP ,CS-D M	2
-598B	HL442A6-4		.BOLT- (V97928) (SPEC BACB30FP6A4) (OPT HL442A6-4 (V92215)) (OPT HL442A6-4 (V80539)) (OPT HL442A6-4 (V73197)) (OPT HL442A6-4 (V56878)) (OPT HL442A6-4 (V06725))	X,Y,C C,CD, CQ,CR	2
599 -599A	HST105K5 HL11VAZ6-3		DELETED .BOLT- (V60516) (SPEC BACB30NW6K3) (OPT B30NW6K3 (V97928)) (OPT HL11VAZ6-3 (V73197)) (OPT HL11VAZ6-3 (V92215)) (OPT HL11VAZ6-3 (V97928)) (OPT L803-6K3 (V06725)) (OPT HL11VAZ6-3 (V0PTK6)) (OPT HL11VAZ6-3 (V56878))	X,Y,C C,CD, CQ,CR	6

57-43-41

FIG. & ITEM	PART NO.	AIRLINE PART NUMBER	NOMENCLATURE 1234567	EFF CODE	QTY PER ASSY
03-600	HL79-5		.COLLAR- (V5M902) (SPEC BACC30M5) (OPT HL70-5 (V73197)) (OPT HL70-5 (V92215)) (OPT 66014-5 (V56878)) (OPT HL70-5 (V56878))	B,G-L ,N,V, W,Z-A D,B W-CB CE-CP ,CS-D M	8
601 601A	HST79-5 HL79-6		DELETED .COLLAR- (V5M902) (SPEC BACC30M6) (OPT HL79-6 (V73197)) (OPT HL79-6 (V92215)) (OPT 66014-6 (V56878)) (OPT HL79-6 (V56878))	X,Y,C C,CD, CQ,CR	24
602	HL79-6		.COLLAR- (V5M902) (SPEC BACC30M6) (OPT HL79-6 (V73197)) (OPT HL79-6 (V92215)) (OPT 66014-6 (V56878)) (OPT HL79-6 (V56878))	B,G-L ,N,V, W,Z-A D,B W-CB CE-CP ,CS-D M	10

**57-43-41**

114T4101  
 015T0165  
 015T1507  
 DASH NUMBERS LIMITED

 **BOEING**  
 COMPONENT  
 MAINTENANCE MANUAL

FIG. & ITEM	PART NO.	AIRLINE PART NUMBER	NOMENCLATURE 1234567	EFF CODE	QTY PER ASSY
03- 603 604	HST105K4 BACR15FT5AD		DELETED .RIVET- (SIZE DETERMINE ON INST)	B,G-L ,N,V, W,Z-A D,B W-CB CE-CP ,CS-D M	6
605 606	HST79-5 BACS40R08C09F		DELETED .SHIM	B,G,J ,L,N, V,W, Z-AB, BW-CB CE-CP ,CS-C V	2
-606A	BACS40R008C009F		.SHIM	H,K, AC,AD CW-DM	2
608 608A 608B	BACB28AP04P019 012T2400-24 012T2400-45		DELETED DELETED . .BUSHING	B,G-L ,N, V-AD, BW-DM	2

57-43-41

ILLUSTRATED PARTS LIST  
 01.1 Page 1100K  
 Mar 01/04

FIG. & ITEM	PART NO.	AIRLINE PART NUMBER	NOMENCLATURE	EFF CODE	QTY PER ASSY
03-610 610A	HL11VAZ5-4 HL441UC5-3		1234567  DELETED ..BOLT- (V97928) (SPEC BACB30FN5A3) (OPT HL441UC5-3 (V73197)) (OPT HL441UC5-3 (V92215)) (OPT HL41PY5-3 (V80539)) (OPT HL441N5-3 (V80539)) (OPT HL441UC5-3 (V80539)) (OPT 67068-5A3 (V56878)) (OPT HL441UC5-3 (V08524)) (OPT HL19-5A3 (V06725)) (OPT L839-5A3 (V06725)) (OPT HL441UC5-3 (V56878)) (OPT ITEM 610B)	B,G-L ,N, V-AB, BW-CX ,CZ, DA	4
-610B	HL441N5-3		..BOLT- (V60516) (SPEC BACB30FN5A3N) (OPT HL441N5-3 (V73197)) (OPT HL441N5-3 (V92215)) (OPT HL441N5-3 (V97928)) (OPT HL441N5-3 (V08524)) (OPT HL19-5A3N (V06725)) (OPT L839-5A3N (V06725)) (OPT HL441N5-3 (V56878)) (OPT ITEM 610A)	B,G-L ,N, V-AB, BW-CX ,CZ, DA	4

# 57-43-41

 ILLUSTRATED PARTS LIST  
 01.1 Page 1100L  
 Mar 01/04

114T4101  
 015T0165  
 015T1507  
 DASH NUMBERS LIMITED

 **BOEING**  
 COMPONENT  
 MAINTENANCE MANUAL

FIG. & ITEM	PART NO.	AIRLINE PART NUMBER	NOMENCLATURE 1234567	EFF CODE	QTY PER ASSY
03- -610C	HL441N5-3		..BOLT- (V60516) (SPEC BACB30FN5A3N) (OPT HL441N5-3 (V73197)) (OPT HL441N5-3 (V92215)) (OPT HL441N5-3 (V97928)) (OPT HL441N5-3 (V08524)) (OPT HL19-5A3N (V06725)) (OPT L839-5A3N (V06725)) (OPT HL441N5-3 (V56878))	AC,AD ,CY, DB-DM	4
612	AN960PD8L		..WASHER	B,G-L ,N, V-AB, BW-CX ,CZ, DA	4
-612A	NAS1149DN816J		..WASHER	AC,AD ,CY, DB-DM	4
614	BACN10JC08CD		..NUT- (OPT ITEM 614A)	B,G-L ,N, V-AB, BW-CX ,CZ, DA	4

**57-43-41**

ILLUSTRATED PARTS LIST  
 01.1 Page 1100M  
 Mar 01/04

FIG. & ITEM	PART NO.	AIRLINE PART NUMBER	NOMENCLATURE 1234567	EFF CODE	QTY PER ASSY
03-614A	H10-08BAC		..NUT- (V15653) (SPEC BACN10JC08) (OPT NS202101-82 (V80539)) (OPT RMLH9075-82W (V72962)) (OPT T6S832J (V71087)) (OPT VN303A82 (V92215)) (OPT 96-82 (V80539)) (OPT BRH10A08 (V52828)) (OPT ITEM 614)	B,G-L ,N, V-AB, BW-CX ,CZ, DA	4
-614B	BACN10JC08CD		..NUT	AC,AD ,CY, DB-DM	4
616	114T4522-1		DELETED		
616A	114T4149-1		..PLATE-RUB	B,G-L ,N, V-AD, BW-DM	1
616B	114T4149-2		..PLATE-RUB	B,G-L ,N, V-AD, BW-DM	1
617	BACR15BA3AD		DELETED		
617G	NS103225-02		DELETED		
618	114T4512-3		DELETED		
618A	114T4512-7		..RIB- (USED ON ITEM 578A)	B,BW, BX	1
-618B	114T4512-11		..RIB- (USED ON ITEM 578B)	G,H,L ,V,Z, BY-CB ,CE-C H CW,CX	1

# 57-43-41

 ILLUSTRATED PARTS LIST  
 01.1 Page 1100N  
 Mar 01/04

FIG. & ITEM	PART NO.	AIRLINE PART NUMBER	NOMENCLATURE 1234567	EFF CODE	QTY PER ASSY
03- -618C	114T4512-15		..RIB- (USED ON ITEM 578C)	X,CC, CD	1
-618D	114T4512-403		..RIB- (USED ON ITEM 578D)	AC,CY ,DC,D E,DG, DJ,DL	1
-618E	114T4512-407		..RIB- (USED ON ITEM 578E)	AC,CY ,DC,D E,DG, DJ,DL	1
-620 -620A	114T4512-4 114T4512-8		DELETED ..RIB- (USED ON ITEM 580A)	N,CJ, CK	1
-620B	114T4512-12		..RIB- (USED ON ITEM 580B)	J,K,W ,AA,A B,C L-CP, CS-CV CZ,DA	1
-620C -620D	114T4512-14 114T4512-404		DELETED ..RIB- (USED ON ITEM 580D)	AD,DB ,DD,D F,DH, DK,DM	1
-620E	114T4512-408		..ARM AND RIB ASSY- (USED ON ITEM 580E)	AD,DB ,DD,D F,DH, DK,DM	1
-620F	114T4512-16		..RIB- (USED ON ITEM 580C)	Y,CQ, CR	1
622 622A	114T4513-3 114T4513-7		DELETED ..RIB- (USED ON ITEM 582A)	B,BW, BX	1
-622B	114T4513-11		..RIB- (USED ON ITEM 582B)	G,H,L ,V,Z, BY-CB ,CE-C H CW,CX	1
-622C	114T4513-15		..RIB- (USED ON ITEM 582C)	X,CC, CD	1
-622D	114T4513-403		..RIB- (USED ON ITEM 582D)	AC,CY ,DC,D E,DG, DJ,DL	1

**57-43-41**

FIG. & ITEM	PART NO.	AIRLINE PART NUMBER	NOMENCLATURE 1234567	EFF CODE	QTY PER ASSY
03-					
-624	114T4513-4		DELETED		
-624A	114T4513-8		..RIB- (USED ON ITEM 584A)	N,CJ, CK	1
-624B	114T4513-12		..RIB- (USED ON ITEM 584B)	J,K,W ,AA,A B,C L-CP, CS-CV CZ,DA Y,CQ, CR	1
-624C	114T4513-16		..RIB- (USED ON ITEM 584C)	AD,DB ,DD,D F,DH, DK,DM	1
-624D	114T4513-404		..RIB- (USED ON ITEM 584D)	B,G,H ,L,V, X,Z,A C,B W-CH CW-CY ,DC,D E,DG, DJ,DL	1
-626	114T4701-5		.RIB ASSY-AIRLOAD	J,K,N ,W,Y, AA,AB ,AD,C J-CV CZ-DB ,DD,D F,DH, DK,DM	1
-628	114T4701-6		.RIB ASSY-AIRLOAD	B,G-L ,N, V-AD, BW-DM	1
630	BACR15BA3AD		..RIVET- (SIZE DETERMINE ON INST)		12

# 57-43-41

 ILLUSTRATED PARTS LIST  
 01.1 Page 1100P  
 Mar 01/04



FIG. & ITEM	PART NO.	AIRLINE PART NUMBER	NOMENCLATURE 1234567	EFF CODE	QTY PER ASSY
03-632	BRFM20A3		..NUTPLATE- (V52828) (SPEC BACN10JN3) (OPT MF1000-3BAC (V15653)) (OPT NS103218-02 (V80539)) (OPT RMF9201M3 (V72962)) (OPT VN252A02 (V92215)) (OPT MF1000-3BAC (V15653)) (OPT MF53049-3 (V15653))	B,G-L ,N, V-AD, BW-DM	4
634	NS103225-02		..NUTPLATE- (V80539) (SPEC BACN10KH3) (OPT RMF9209M3 (V72962)) (OPT RMF9209M3 (V72962))	B,G-L ,N, V-AD, BW-DM	2
-635	114T4701-7		..RIB	B,G,H ,L,V, X,Z,A C,B W-CH CW-CY ,DC,D E,DG, DJ,DL	1
-635A	114T4701-8		..RIB	J,K,N ,W,Y, AA,AB ,AD,C J-CV CZ-DB ,DD,D F,DH, DK,DM	1

57-43-41

FIG. & ITEM	PART NO.	AIRLINE PART NUMBER	NOMENCLATURE 1234567	EFF CODE	QTY PER ASSY
03- -636	114T4901-3		.RIB ASSY-END	B,G,H ,L,V, X,Z,A C,B W-CH CW-CY ,DC,D E,DG, DJ,DL	1
-638	114T4901-4		.RIB ASSY-END	J,K,N ,W,Y, AA,AB ,AD,C J-CV CZ-DB ,DD,D F,DH, DK,DM	1
640	BACR15BA3AD		..RIVET- (SIZE DETERMINE ON INST)	B,G-L ,N, V-AD, BW-DM	2
642	BRFM20A3		..NUTPLATE- (V52828) (SPEC BACN10JN3) (OPT MF1000-3BAC (V15653)) (OPT NS103218-02 (V80539)) (OPT RMF9201M3 (V72962)) (OPT VN252A02 (V92215)) (OPT MF1000-3BAC (V15653)) (OPT MF53049-3 (V15653))	B,G-L ,N, V-AD, BW-DM	1

# 57-43-41

 ILLUSTRATED PARTS LIST  
 01.1 Page 1100R  
 Mar 01/04

FIG. & ITEM	PART NO.	AIRLINE PART NUMBER	NOMENCLATURE 1234567	EFF CODE	QTY PER ASSY
03- -643	114T4901-5		..RIB	B,G,H ,L,V, X,Z,A C,B W-CH CW-CY ,DC,D E,DG, DJ,DL	1
-643A	114T4901-6		..RIB	J,K,N ,W,Y, AA,AB ,AD,C J-CV CZ-DB ,DD,D F,DH, DK,DM	1
-644	114T4902-5		.RIB ASSY-END	B,G,H ,L,V, X,Z,A C,B W-CH CW-CY ,DC,D E,DG, DJ,DL	1
-646	114T4902-6		.RIB ASSY-END	J,K,N ,W,Y, AA,AB ,AD,C J-CV CZ-DB ,DD,D F,DH, DK,DM	1

**57-43-41**

FIG. & ITEM	PART NO.	AIRLINE PART NUMBER	NOMENCLATURE 1234567	EFF CODE	QTY PER ASSY
03-648	BACR15BA3AD		..RIVET- (SIZE DETERMINE ON INST)	B,G-L ,N, V-AD, BW-DM	8
650	BRFM20A3		..NUTPLATE- (V52828) (SPEC BACN10JN3) (OPT MF1000-3BAC (V15653)) (OPT NS103218-02 (V80539)) (OPT RMF9201M3 (V72962)) (OPT VN252A02 (V92215)) (OPT MF1000-3BAC (V15653)) (OPT MF53049-3 (V15653))	B,G-L ,N, V-AD, BW-DM	1
652	BRFM22A3-3		..NUTPLATE- (V52828) (SPEC BACN10JQ33) (OPT MF19058-3-3BAC (V15653))	B,G-L ,N, V-AD, BW-DM	1
654	BRFM22A4-3		..NUTPLATE- (V52828) (SPEC BACN10JQ34) (OPT MF19058-3-4BAC (V15653))	B,G-L ,N, V-AD, BW-DM	1

# 57-43-41

 ILLUSTRATED PARTS LIST  
 01.1 Page 1100T  
 Mar 01/04

114T4101  
 015T0165  
 015T1507  
 DASH NUMBERS LIMITED

 **BOEING**  
 COMPONENT  
 MAINTENANCE MANUAL

FIG. & ITEM	PART NO.	AIRLINE PART NUMBER	NOMENCLATURE 1234567	EFF CODE	QTY PER ASSY
03-656	NS103225-02		..NUTPLATE- (V80539) (SPEC BACN10KH3) (OPT RMF9209M3 (V72962)) (OPT RMF9209M3 (V72962))	B,G-L ,N, V-AD, BW-DM	1
658	NAS1195DD3KH		..SHIM	B,G-L ,N, V-AD, BW-DM	1
-659	114T4902-7		..RIB	B,G,H ,L,V, X,Z,A C,B W-CH CW-CY ,DC,D E,DG, DJ,DL	1
-659A	114T4902-8		..RIB	J,K,N ,W,Y, AA,AB ,AD,C J-CV CZ-DB ,DD,D F,DH, DK,DM	1
660	BACR15B3AD		.RIVET- (SIZE DETERMINE ON INST)	B,G-L ,N, V-AD, BW-DM	4

**57-43-41**

ILLUSTRATED PARTS LIST  
 01.1 Page 1100U  
 Mar 01/04

FIG. & ITEM	PART NO.	AIRLINE PART NUMBER	NOMENCLATURE 1234567	EFF CODE	QTY PER ASSY
03-662	BRFM20A3		.NUTPLATE- (V52828) (SPEC BACN10JN3) (OPT MF1000-3BAC (V15653)) (OPT NS103218-02 (V80539)) (OPT RMF9201M3 (V72962)) (OPT VN252A02 (V92215)) (OPT MF1000-3BAC (V15653)) (OPT MF53049-3 (V15653))	B,G-L ,N, V-AD, BW-DM	1
664	BACN10JQ32		.NUTPLATE	B,G,J ,L,N, V-AB, BW-CV	3
-664A	MF19058-3-2BAC		.NUTPLATE- (V15653) (SPEC BACN10YF32)	H,K,A C,AD, CW-DM	3
-666	114T4121-73		DELETED		
-666A	114T4121-83		.BEAM ASSY-NOSE	B,G,H ,L,V, X,Z,A C,B W-CH CW,CX ,DE,D G	1
-666B	114T4121-405		.BEAM ASSY-NOSE	CY,DC ,DL	1
-666C	114T4121-89		.BEAM ASSY-NOSE	DJ	1

# 57-43-41

 ILLUSTRATED PARTS LIST  
 01.1 Page 1100V  
 Mar 01/04

114T4101  
 015T0165  
 015T1507  
 DASH NUMBERS LIMITED

 **BOEING**  
 COMPONENT  
 MAINTENANCE MANUAL

FIG. & ITEM	PART NO.	AIRLINE PART NUMBER	NOMENCLATURE 1234567	EFF CODE	QTY PER ASSY
03- -668 -668A	114T4121-74 114T4121-84		DELETED .BEAM ASSY-NOSE	J,K,N ,W,Y, AA,AB ,AD,C J-CV CZ,DA ,DF,D H	1
-668B	114T4121-406		.BEAM ASSY-NOSE	DB,DD ,DM	1
-668C 670	114T4121-90 BACB30NT3K6		.BEAM ASSY-NOSE ..BOLT	DK B,G-L ,N, V-AD, BW-DM	1 42
672	AN960PD10L		..WASHER	B,G-L ,N, V-AD, BW-CX ,CZ, DA DE,DF	42
-672A	NAS1149D0316J		..WASHER	CY,D B-DH, DL,DM	42
-672B 674	BACW10BN3AC 114T4119-1		..WASHER ..DOOR	DJ,DK B,G-L ,N, V-AD, BW-DM	42 3
676	114T4119-2		..DOUBLER	B,G-L ,N, V-AD, BW-DM	2

**57-43-41**

ILLUSTRATED PARTS LIST  
 01.1 Page 1100W  
 Mar 01/04

FIG. & ITEM	PART NO.	AIRLINE PART NUMBER	NOMENCLATURE 1234567	EFF CODE	QTY PER ASSY
03-678	114T4119-6		..DOUBLER	B,G-L ,N, V-AD, BW-DM	1
680	BACR15BA3AD		..RIVET- (SIZE DETERMINE ON INST)	B,G-L ,N, V-AD, BW-DM	84
682	BRFM20A3		..NUTPLATE- (V52828) (SPEC BACN10JN3) (OPT MF1000-3BAC (V15653)) (OPT NS103218-02 (V80539)) (OPT RMF9201M3 (V72962)) (OPT VN252A02 (V92215)) (OPT MF1000-3BAC (V15653)) (OPT MF53049-3 (V15653))	B,G-L ,N, V-AD, BW-CX ,CZ, DA DE,DF	12
-682A	BRFM20C3D		..NUTPLATE- (V52828) (SPEC BACN10JN3CD) (OPT 102F9201M3 (V72962)) (OPT NS202487-02 (V80539)) (OPT MF51637-3 (V15653)) (OPT MF53050-3CD (V15653))	CY,D B-DM	12

**57-43-41**

ILLUSTRATED PARTS LIST  
01.1 Page 1100X  
Mar 01/04



FIG. & ITEM	PART NO.	AIRLINE PART NUMBER	NOMENCLATURE 1234567	EFF CODE	QTY PER ASSY
03-684	BACN10JQ32		..NUTPLATE	B,G-L ,N, V-AD, BW-CX ,CZ, DA DE,DF CY,D B-DM	30
-684A	MF51594-3-2BAC		..NUTPLATE- (V15653) (SPEC BACN10YF32CD)		30
-686	114T4200-29		.SEAL INSTL	B,G,H ,L,V, X,Z,A C,B W-CH CW-CY ,DC,D E,DG, DJ,DL J,K,N ,W,Y, AA,AB ,AD,C J-CV CZ-DB ,DD,D F,DH, DK,DM	1
-688	114T4200-30		.SEAL INSTL	B,G-L ,N, V-AD, BW-DM	1
690	BACB30NN3K4		..BOLT	B,G-L ,N, V-AD, BW-DM	4
692	BACB30NT3K5		..BOLT	B,G-L ,N, V-AD, BW-DM	1
693	BACB30UR3K5		..BOLT	B,G-L ,N, V-AD, BW-DM	1
694	BACW10P43AL		..WASHER	B,G-L ,N, V-AD, BW-DM	5

57-43-41

FIG. & ITEM	PART NO.	AIRLINE PART NUMBER	NOMENCLATURE 1234567	EFF CODE	QTY PER ASSY
03-695	BACW10DM6		..WASHER	B,G-L ,N, V-AD, BW-DM	1
696	H10-3BAC		..NUT- (V15653) (SPEC BACN10JC3) (OPT NS202101-02 (V80539)) (OPT RMLH9075-3W (V72962)) (OPT T6S1032J (V71087)) (OPT VN303A02 (V92215)) (OPT 96-02 (V80539)) (OPT BRH10A3 (V52828))	B,G-L ,N, V-AD, BW-DM	4
698	114T4240-65		..SEAL	B,G,H ,L,V, X,Z, AC, BW-CH CW-CY DC,DE DG,DJ DL	1
-700	114T4240-66		..SEAL	J,K,N ,W,Y, AA,AB ,AD,C J-CV CZ-DB ,DD,D F,DH, DK,DM	1

# 57-43-41

 ILLUSTRATED PARTS LIST  
 01.1 Page 1100Z  
 Mar 01/04

114T4101  
 015T0165  
 015T1507  
 DASH NUMBERS LIMITED

 **BOEING**  
 COMPONENT  
 MAINTENANCE MANUAL

FIG. & ITEM	PART NO.	AIRLINE PART NUMBER	NOMENCLATURE 1234567	EFF CODE	QTY PER ASSY
03-702	114T4240-67		..SEAL	B,G,H ,L,V, Y,Z,A C,B W-CH CW-CY ,DC,D E,DG, DJ,DL	1
-704	114T4240-68		..SEAL	J,K,N ,W,Y, AA,AB ,AD,C J-CV CZ-DB ,DD,D F,DH, DK,DM	1
706	BACR15BA3AD		.RIVET- (SIZE DETERMINE ON INST)	B,G-L ,N, V-AD, BW-DM	4
708	MS27253-1		.PLATE-IDENT	B,G-L ,N, V-AD, BW-DM	1
710	BACR15BB4A		.RIVET- (SIZE DETERMINE ON INST)	B,G-L ,N, V-AD, BW-DM	2
712	BACR15CE6KE		.RIVET- (SIZE DETERMINE ON INST)	B,G-L ,N, V-AD, BW-DM	107

**57-43-41**

ILLUSTRATED PARTS LIST  
 01.1 Page 1101  
 Mar 01/04

FIG. & ITEM	PART NO.	AIRLINE PART NUMBER	NOMENCLATURE 1234567	EFF CODE	QTY PER ASSY
03-714	BACR15CE5KE		.RIVET- (SIZE DETERMINE ON INST)	B,G-L ,N, V-AD, BW-DM	14
716	BACB30NW6K		.BOLT- (SIZE DETERMINE ON INST)	B,G-L ,N, V-AD, BW-DM	10
718	HL79-6		.COLLAR- (V5M902) (SPEC BACC30M6) (OPT HL79-6 (V73197)) (OPT HL79-6 (V92215)) (OPT 66014-6 (V56878)) (OPT HL79-6 (V56878))	B,G-L ,N, V-AD, BW-DM	10
720	114T4151-17		.PANEL-LWR CLOSURE	B,G,H ,L,V, X,Z,A C,B W-CH CW-CY ,DC,D E,DG, DJ,DL	1
-722	114T4151-18		.PANEL-LWR CLOSURE	J,K,N ,W,Y, AA,AB ,AD,C J-CV CZ-DB ,DD,D F,DH, DK,DM	1

# 57-43-41

 ILLUSTRATED PARTS LIST  
 01.1 Page 1102  
 Mar 01/04

114T4101  
 015T0165  
 015T1507  
 DASH NUMBERS LIMITED

 **BOEING**  
 COMPONENT  
 MAINTENANCE MANUAL

FIG. & ITEM	PART NO.	AIRLINE PART NUMBER	NOMENCLATURE 1234567	EFF CODE	QTY PER ASSY
03-724	114T4151-19		.PANEL-LWR CLOSURE	B,G,H ,L,V, X,Z,A C,B W-CH CW,CX ,DE,D G,DJ	1
-724A	114T4151-401		.PANEL-LWR CLOSURE	CY,DC ,DH,D K,DL	1
-726	114T4151-20		.PANEL-LWR CLOSURE	J,K,N ,W,Y, AA,AB ,AD,C J-CV CZ,DA ,DF,D H,DK	1
-726A	114T4151-402		.PANEL-LWR CLOSURE	DB,DD ,DM	1
728	BACB30NN3K4		.BOLT	CY,D B-DD, DL,DM	12
730	BACB30NN3K5		.BOLT	CY,D B-DD, DL,DM	3
732	BACB30NT3K4		.BOLT	CY,D B-DD, DL,DM	4

**57-43-41**

ILLUSTRATED PARTS LIST  
 01.1 Page 1102A  
 Mar 01/04

FIG. & ITEM	PART NO.	AIRLINE PART NUMBER	NOMENCLATURE 1234567	EFF CODE	QTY PER ASSY
03-734	NAS1149D0332J		.WASHER	CY,D B-DD, DL,DM	2
736	NAS1149D0363J		.WASHER	CY,D B-DD, DL,DM	4
738	BRH10C3D		.NUT- (V52828) (SPEC BACN10JC3CD) (OPT T6C1032JCD (V11815)) (OPT NS202486-02 (V80539)) (OPT 102LH9075-3W (V72962)) (OPT H51650-3BAC (V15653))	CY,D B-DD, DL,DM	5
740	114T4233-401		.RETAINER	CY,D B-DD, DL,DM	1
742	114T4231-405		.RETAINER ASSY	CY,D B-DD, DL,DM	1
744	BACR15BA3ADC		..RIVET- (SIZE DETERMINE ON INST)	CY,D B-DD, DL,DM	8
746	BRFM20A3		..NUTPLATE- (V52828) (SPEC BACN10JN3) (OPT MF1000-3BAC (V15653)) (OPT NS103218-02 (V80539)) (OPT RMF9201M3 (V72962)) (OPT VN252A02 (V92215)) (OPT MF53049-3 (V15653)) (OPT T8124S3S (V11815))	CY,D B-DD, DL,DM	4

# 57-43-41

 ILLUSTRATED PARTS LIST  
 01.1 Page 1102B  
 Mar 01/04

114T4101  
 015T0165  
 015T1507  
 DASH NUMBERS LIMITED

 **BOEING**  
 COMPONENT  
 MAINTENANCE MANUAL

FIG. & ITEM	PART NO.	AIRLINE PART NUMBER	NOMENCLATURE 1234567	EFF CODE	QTY PER ASSY
03-748	114T4231-406		..RETAINER	CY,D B-DD, DL,DM	1
750	114T4231-403		.RETAINER ASSY	CY,D B-DD, DL,DM	1
752	114T4231-407		.RETAINER ASSY	CY,D B-DD, DL,DM	1
754	BACR15BA3ADC		..RIVET- (SIZE DETERMINE ON INST)	CY,D B-DD, DL,DM	10
756	BRFM20A3		..NUTPLATE- (V52828) (SPEC BACN10JN3) (OPT MF1000-3BAC (V15653)) (OPT NS103218-02 (V80539)) (OPT RMF9201M3 (V72962)) (OPT VN252A02 (V92215)) (OPT MF53049-3 (V15653)) (OPT T8124S3S (V11815))	CY,D B-DD, DL,DM	5
758	114T4231-404		..RETAINER	CY,D B-DD, DL,DM	1
760	114T4231-408		..RETAINER	CY,D B-DD, DL,DM	1

**57-43-41**

ILLUSTRATED PARTS LIST  
 01.1 Page 1102C  
 Mar 01/04

FIG. & ITEM	PART NO.	AIRLINE PART NUMBER	NOMENCLATURE 1234567	EFF CODE	QTY PER ASSY
03-762	114T4230-402		.SEAL-BLADE	CY,D B-DD, DL,DM	1
764	114T4230-401		.SEAL-BLADE	CY,D B-DD, DL,DM	1
766	114T4230-400		.SEAL-BLADE	CY,D B-DD, DL,DM	1
768	114T4230-404		.SEAL-BLADE	CY,D B-DD, DL,DM	1
770	114T4234-401		.SEAL-BULB	CY,DC ,DL	1
-772	114T4234-402		.SEAL-BULB	DB,DD ,DM	1
774	114T4234-403		.SEAL-BULB	CY,DC ,DL	1
-776	114T4234-404		.SEAL-BULB	DB,DD ,DM	1
			DELETED	B,G-L ,N, V-AD, BW-DD	
960	114T4180-1		DELETED		
-960A	114T4180-11		DELETED		
965	ADB07V301NC		DELETED		
970	114T4180-6		DELETED		
-970A	114T4180-16		DELETED		

- Item Not Illustrated

# 57-43-41

 ILLUSTRATED PARTS LIST  
 01.1 Page 1102D  
 Mar 01/04